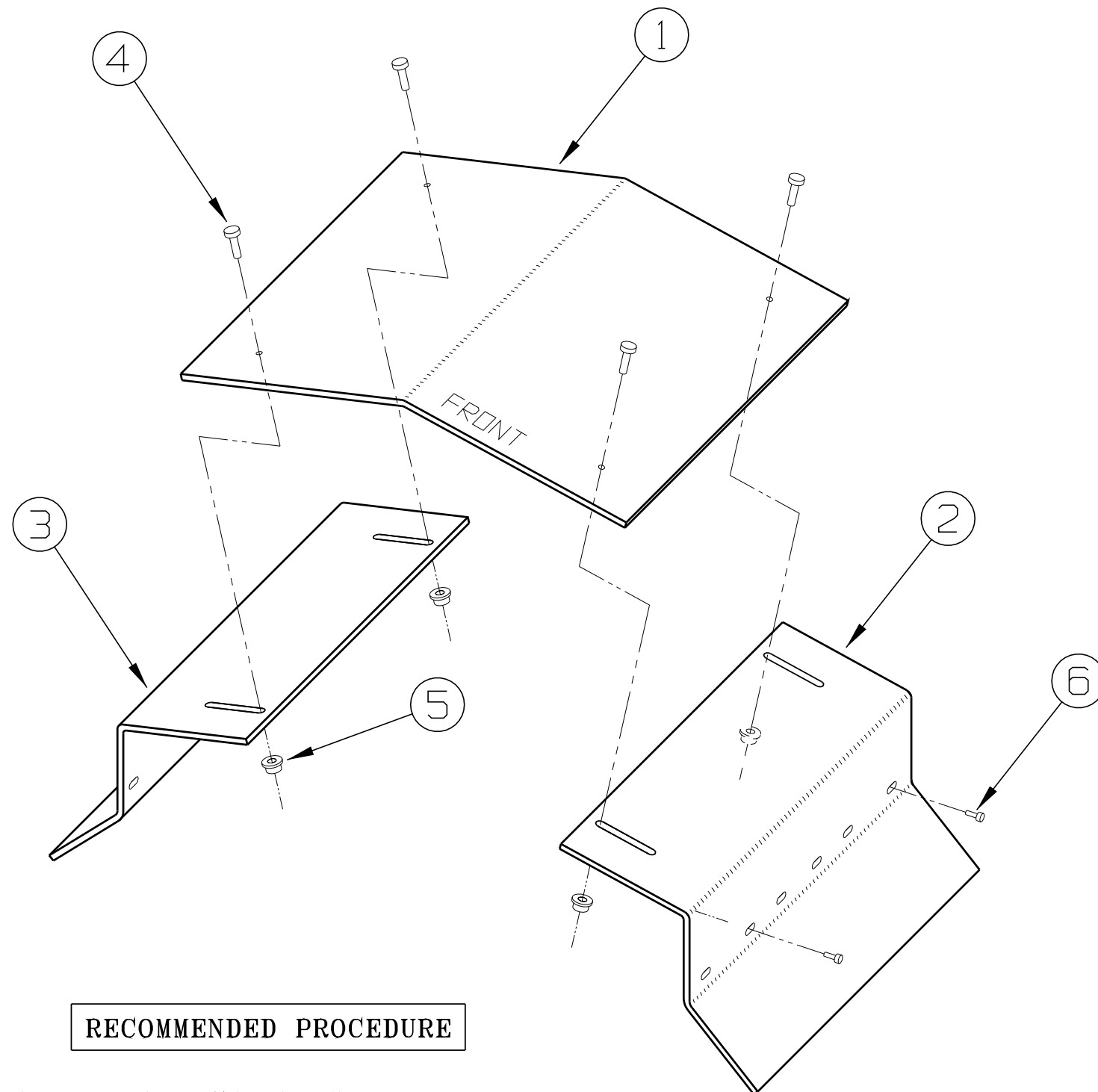


BILL OF MATERIAL: EI0191-51

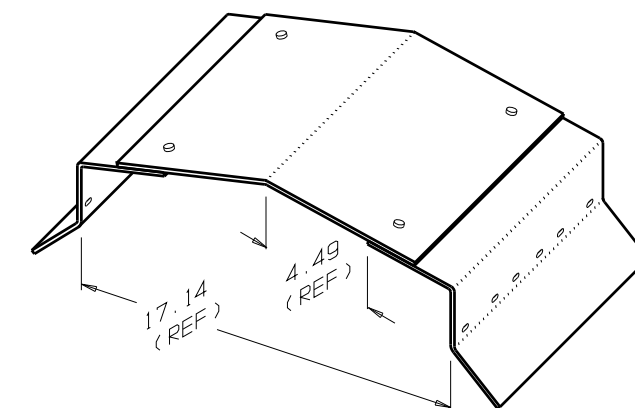
ITEM NUMBER	PART No.	DESCRIPTION	QUANTITY PER ASSY
①	FE0603-00	PANEL, DRIP. SHIELD, AT10.1, G1, CENTER	1
②	FE0602-00	PANEL, DRIP. SHLD, AT10.1, G1, UNIV. SIDE	1
③	FE0602-00	PANEL, DRIP. SHLD, AT10.1, G1, UNIV. SIDE	1
④	PE0041-06	SCW, ZPS, PH. PANMS, 10-32, 0.50"	4
⑤	PE0269-06	NUT, ZPS, SER-HX-FG-LK, 10-32	4
⑥	PE0291-01	SCW, ZPS, PHSWH, TYPE-F, 8-32, 0.50", BLK	4
-	JA0092-51	USER INSTRUCTIONS (THIS SHEET)	1

TORQUE SPECIFICATIONS	
BOLT SIZE	TORQUE RANGE
#8	10-15
#10	16-24
1/4 in	57-77
5/16 in	119-158
3/8 in	17-23 (*)
1/2 in	43-57 (*)

ALL TORQUE RANGES ARE IN in-lb EXCEPT AS NOTED (*) RATED IN ft-lb



STYLE-5054 ENCLOSURE DRIP SHIELD ASSEMBLY



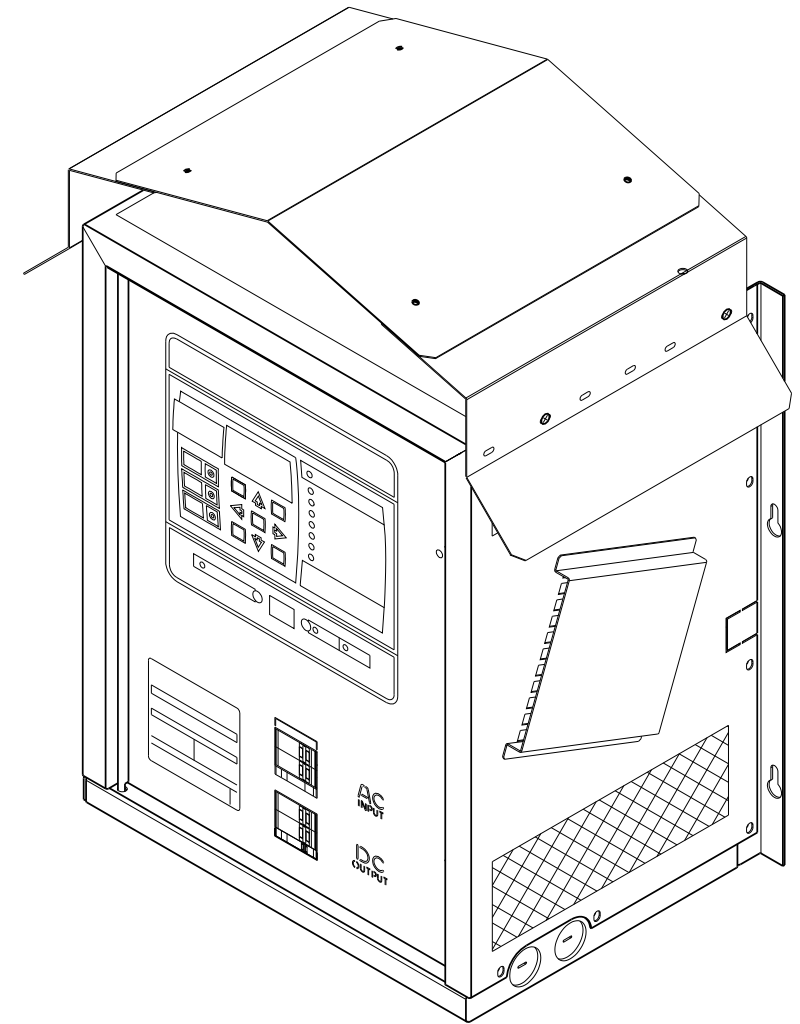
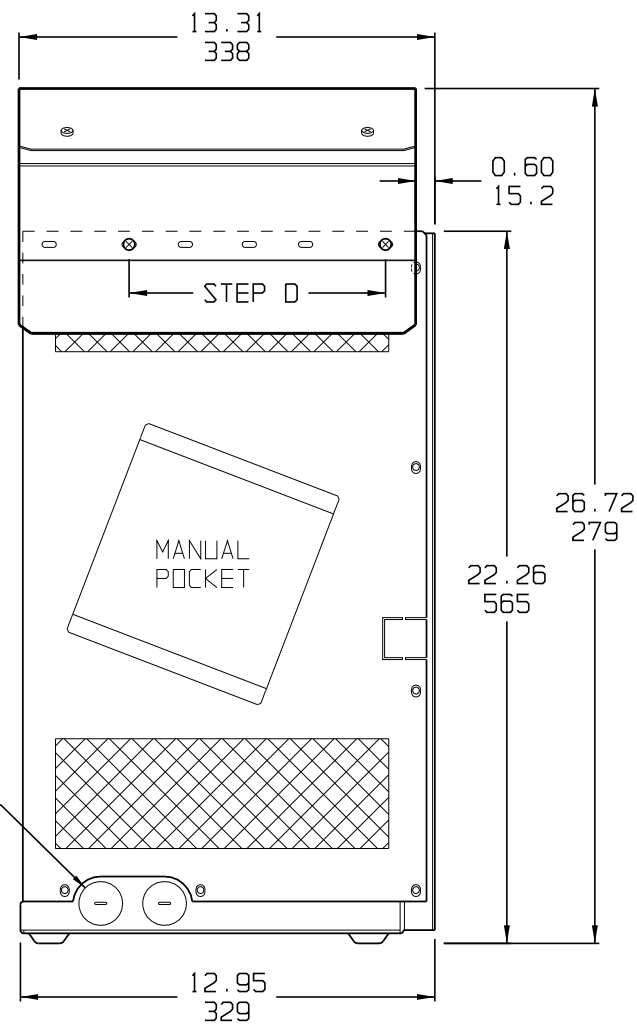
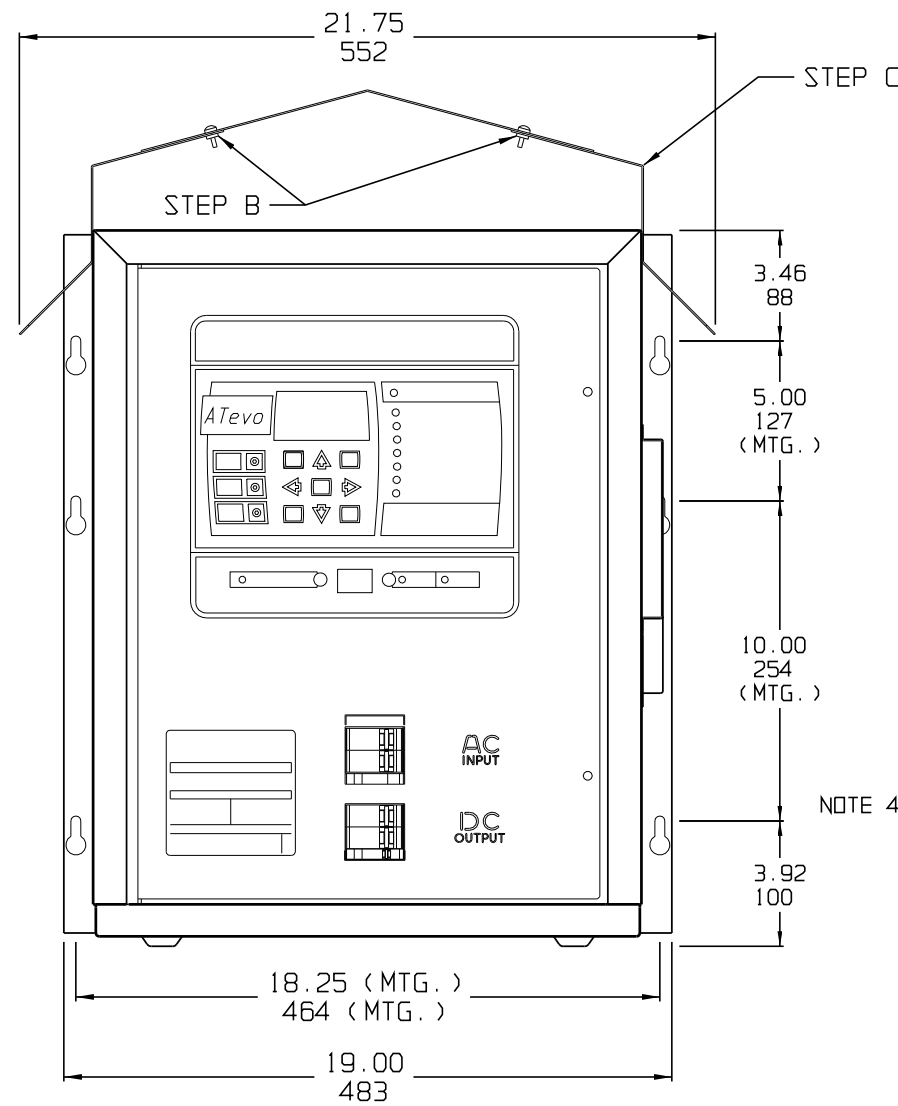
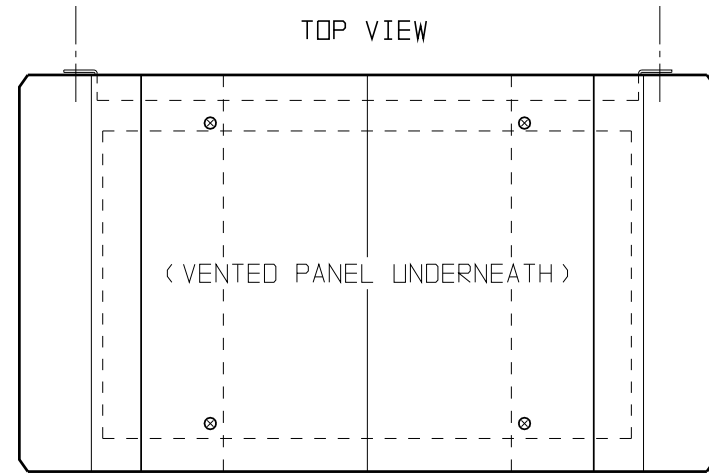
RECOMMENDED PROCEDURE

- A) NOTE REFERENCE DIMENSIONS, AND SEE SHEET 2 OF 2 FOR FULLY INSTALLED ASSEMBLY.
- B) MOUNT 'ITEM 1' TO 'ITEM 2' AND 'ITEM 3', AND SECURE WITH SUPPLIED 10-32 HARDWARE AS SHOWN.
- C) MOUNT ASSEMBLED DRIP SHIELD (ITEMS 1, 2 & 3) TO TOP OF ATEVO STYLE-5054 ENCLOSURE.
- D) DO NOT REDRILL ENCLOSURE HOLES! UTILIZE TOP ROW OF SIDE VENTING HOLES. SECURE DRIP SHIELD IN PLACE WITH FOUR (4) 8-32 THREAD-CUTTING SCREWS, 'ITEM 6'.

				THIRD ANGLE PROJECTION					
				DRAWN BY	MCR	032821	TITLE	USER INSTALLATION INSTRUCTIONS ATEVO STYLE-5054 DRIP SHIELD ACSY: EI0191-51	
				APPROVED	RDB	032821	DRAWING No	JA0092-51	
0	27494	032821	RDB	UNLESS OTHERWISE NOTED DIMENSIONS ARE IN INCHES. TOLERANCES ARE:			REV	0	
REV	ECN No	DATE	APP	SCALE	NTS	PART No	JA0092-51	SHEET	1 OF 2

RECOMMENDED PROCEDURE

- A) NOTE REFERENCE DIMENSIONS, AND SEE SHEET 1 OF 2 FOR EXPLODED VIEW.
- B) MOUNT 'ITEM 1' TO 'ITEM 2' AND 'ITEM 3', AND SECURE WITH SUPPLIED 10-32 HARDWARE AS SHOWN.
- C) MOUNT ASSEMBLED DRIP SHIELD (ITEMS 1, 2 & 3) TO TOP OF ATEVO STYLE-5054 ENCLOSURE.
- D) DO NOT REDRILL ENCLOSURE HOLES! UTILIZE TOP ROW OF SIDE VENTING HOLES. SECURE DRIP SHIELD IN PLACE WITH FOUR (4) 8-32 THREAD-CUTTING SCREWS, 'ITEM 6'.



DUAL DIMENSIONS in
mm

THIRD ANGLE PROJECTION		TITLE USER INSTALLATION INSTRUCTIONS ATevo STYLE-5054 DRIP SHIELD ACSY: EI0191-51	
DRAWN BY	MCR	032821	DRAWING No
ELECTRONIC APPROVAL SIGNATURES MAINTAINED BY MFG ECN LOG			REV 0 B
UNLESS OTHERWISE NOTED DIMENSIONS ARE IN INCHES. TOLERANCES ARE:			
SCALE	NTS	PART No	JA0092-51 SHEET 2 OF 2