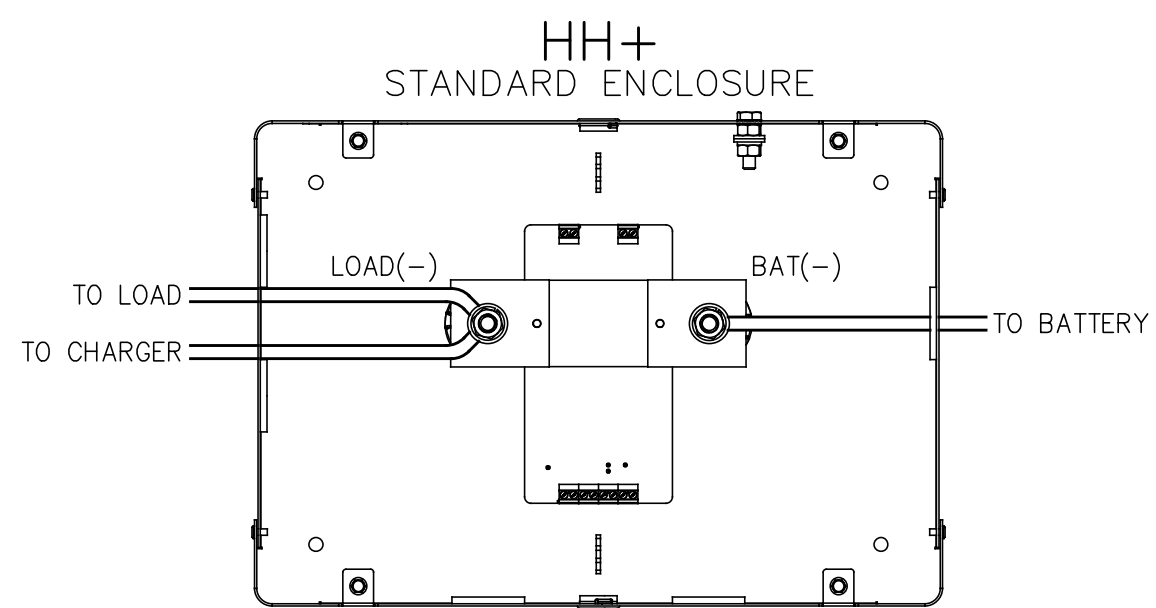
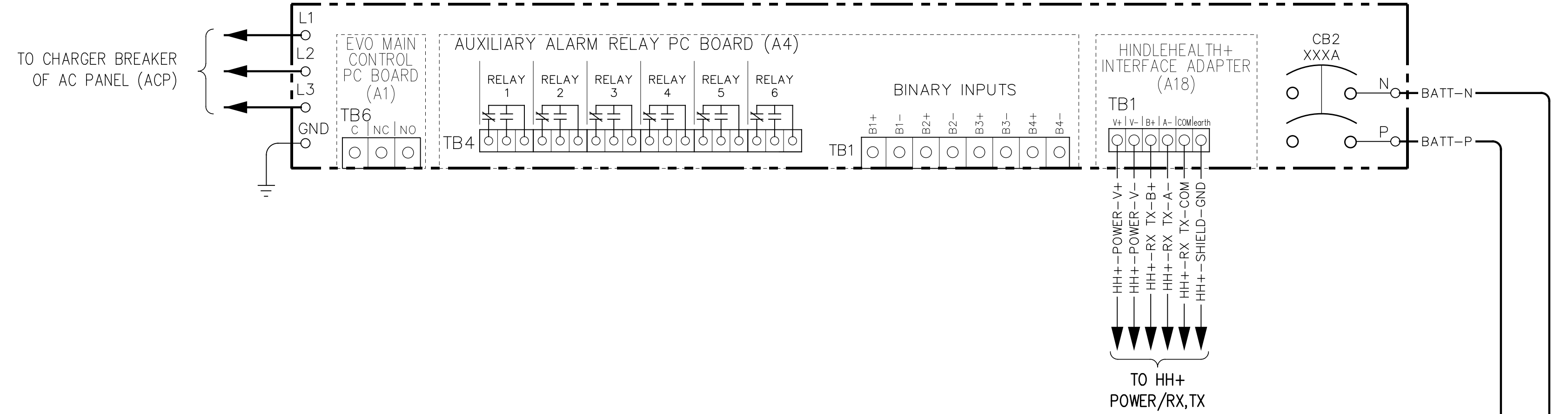
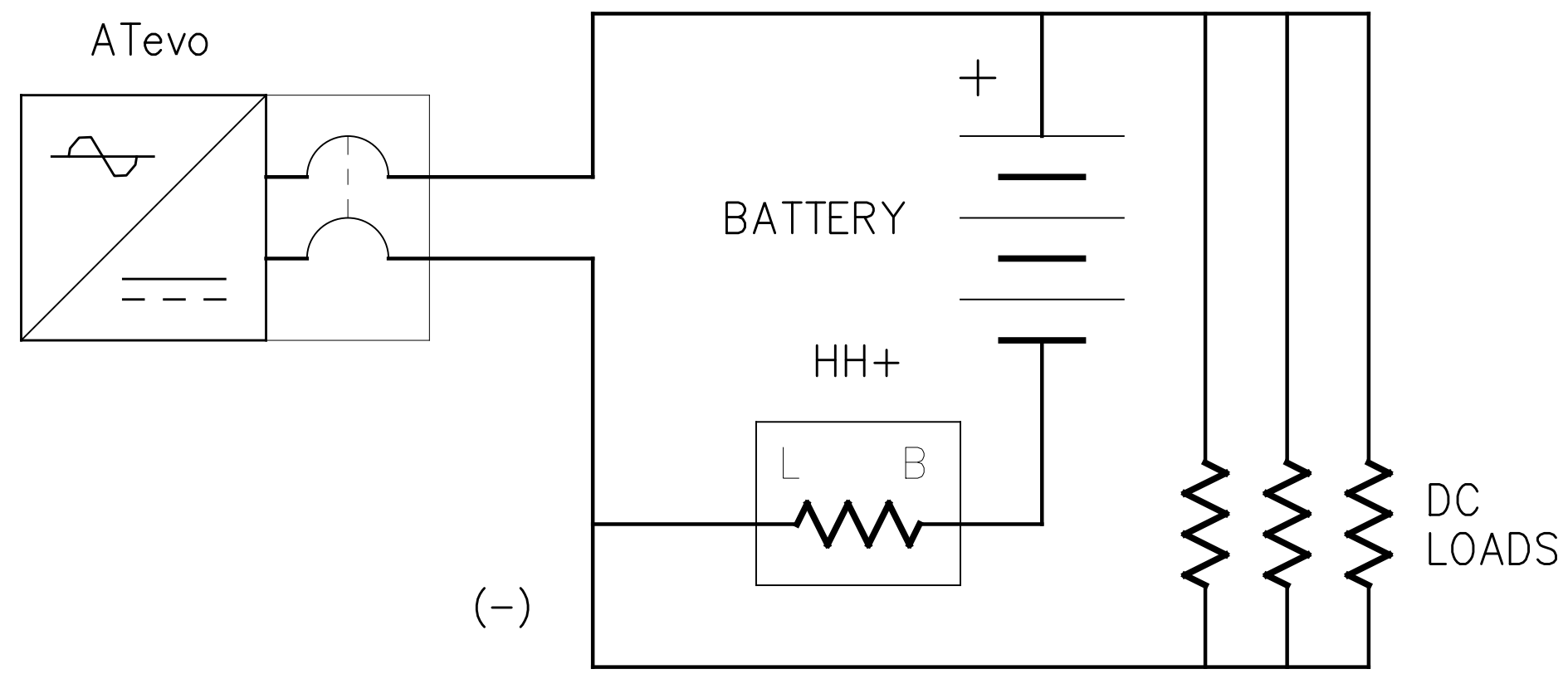
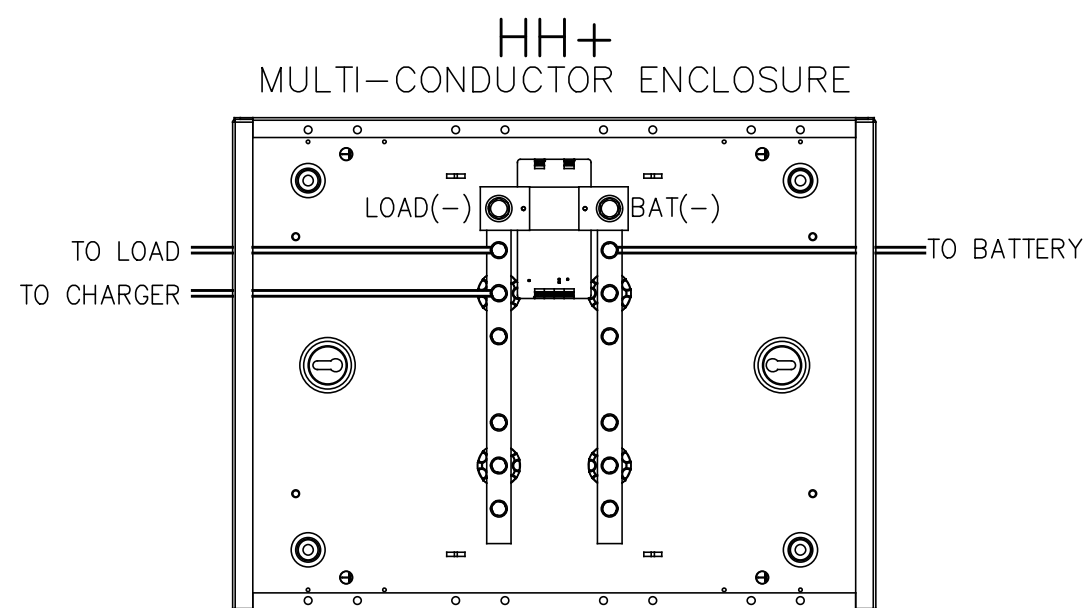


SCHEMATIC



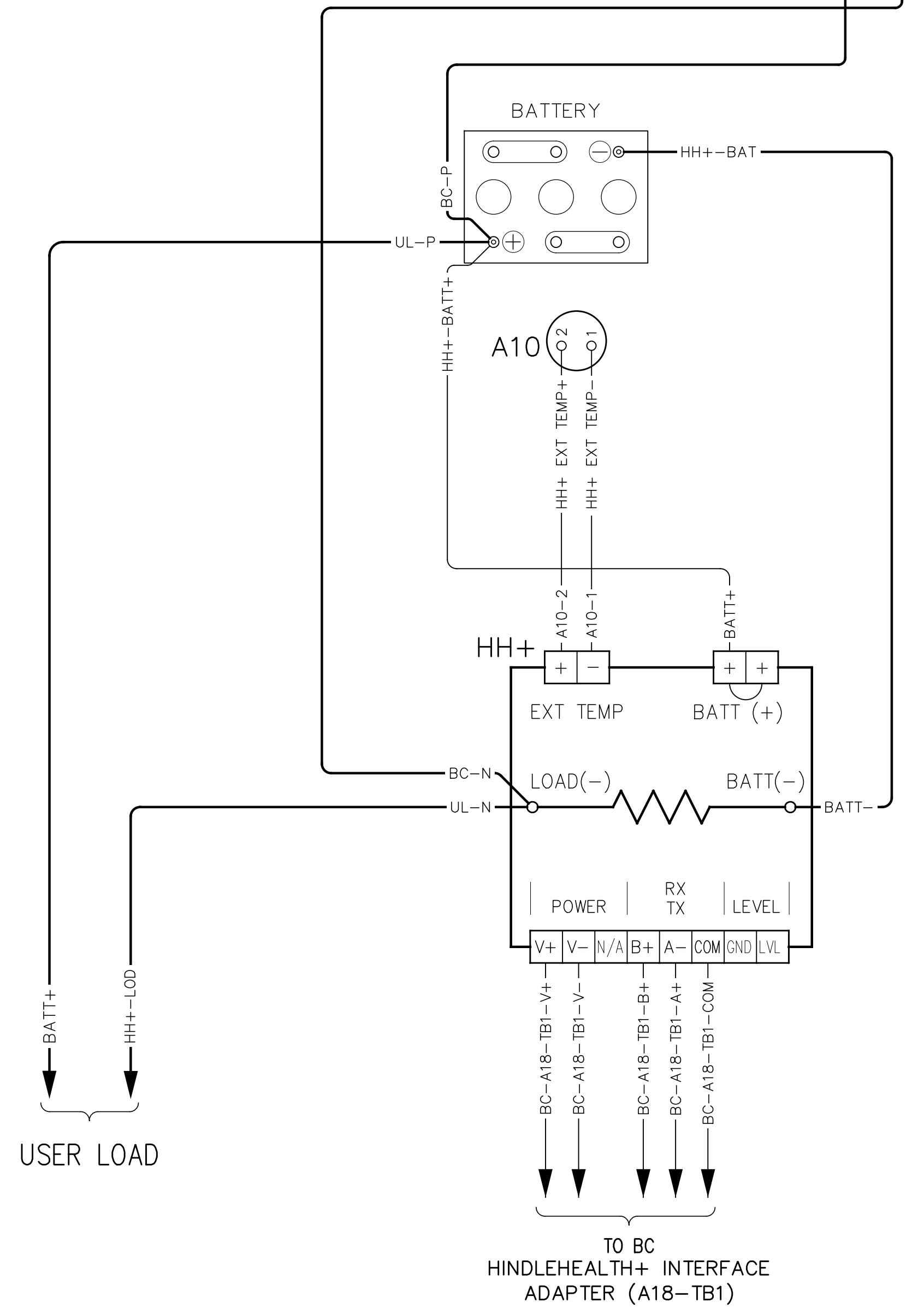
I/O TERMINAL	DESCRIPTION	CONNECTION
LOAD(-)	NEGATIVE LOAD AND BATTERY CHARGER TERMINAL	0.38in/9.7mm STUD
BAT(-)	NEGATIVE BATTERY TERMINAL	0.38in/9.7mm STUD

TORQUE RATING OF LOAD(-) & BATT(-) CONNECTIONS IS 23 FT/LBS



I/O TERMINAL	DESCRIPTION	CONNECTION
LOAD(-)	NEGATIVE LOAD AND BATTERY CHARGER TERMINALS	0.38in/9.7mm HOLE
BAT(-)	NEGATIVE BATTERY TERMINALS	0.38in/9.7mm HOLE

TORQUE RATING OF LOAD(-) & BATT(-) CONNECTIONS IS 23 FT/LBS

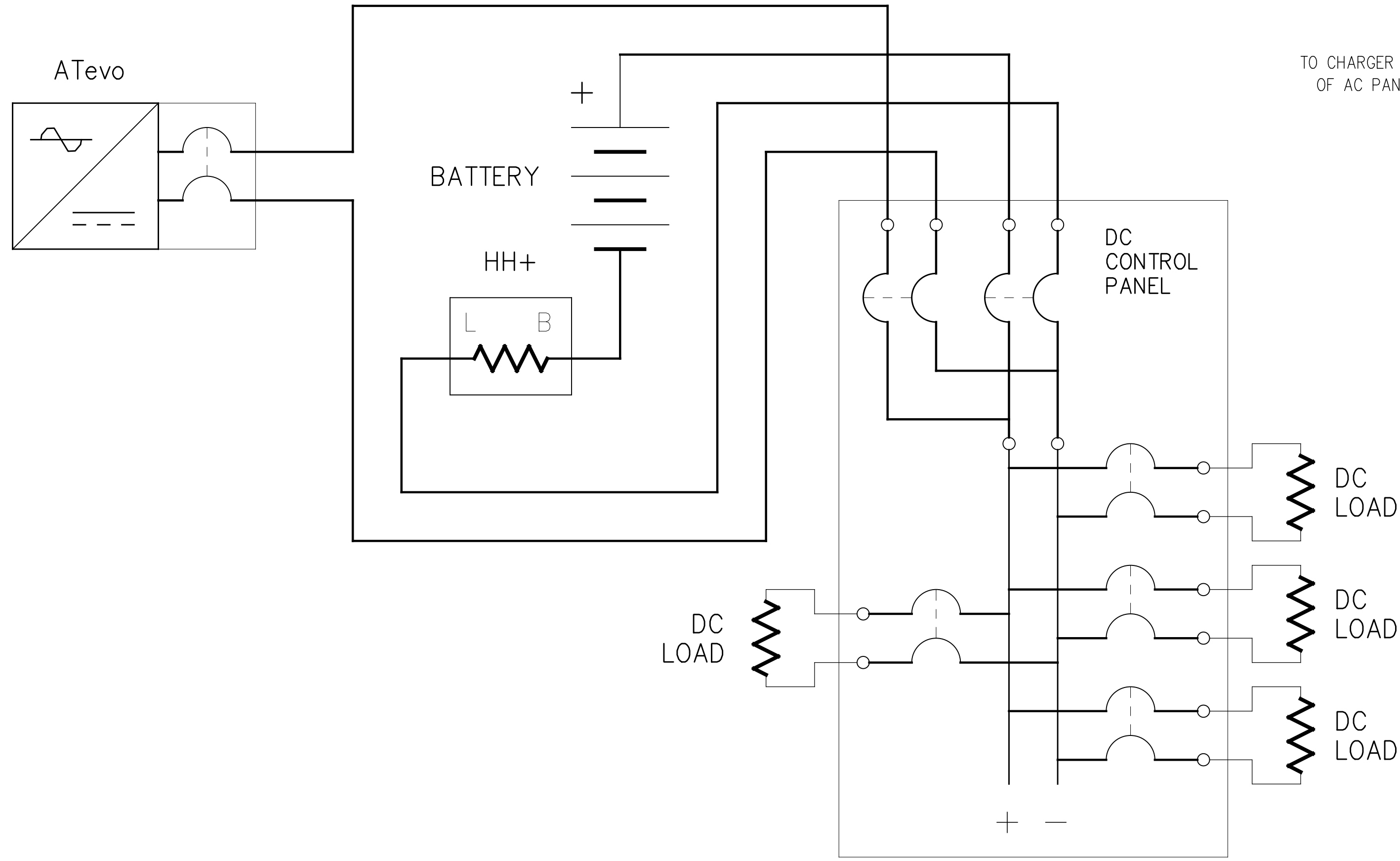


EPIC SERIES COMPONENTS

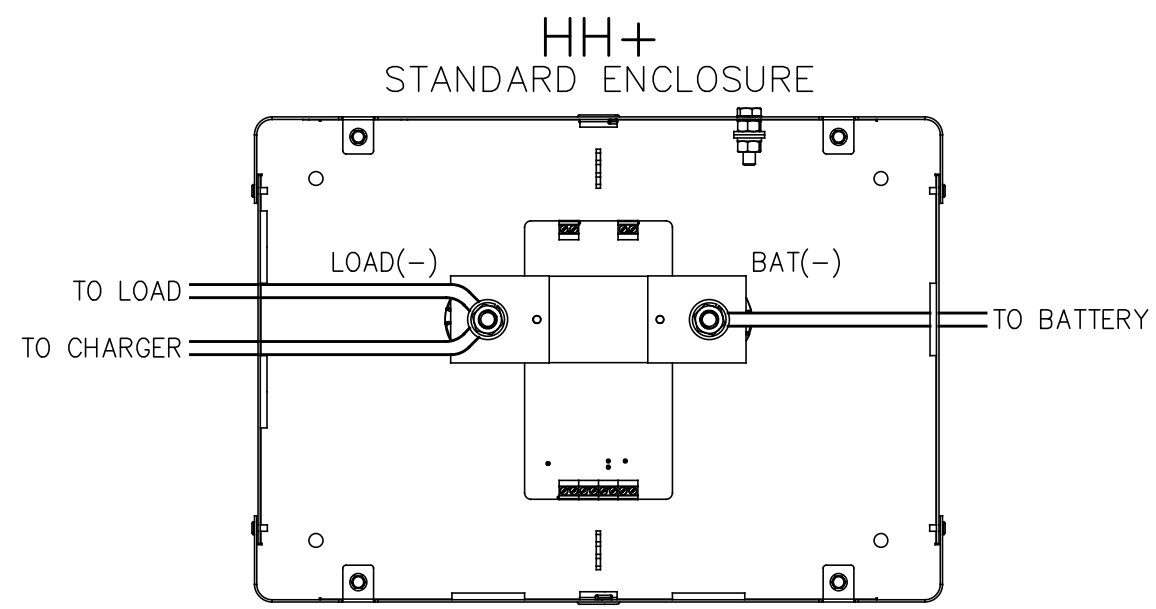
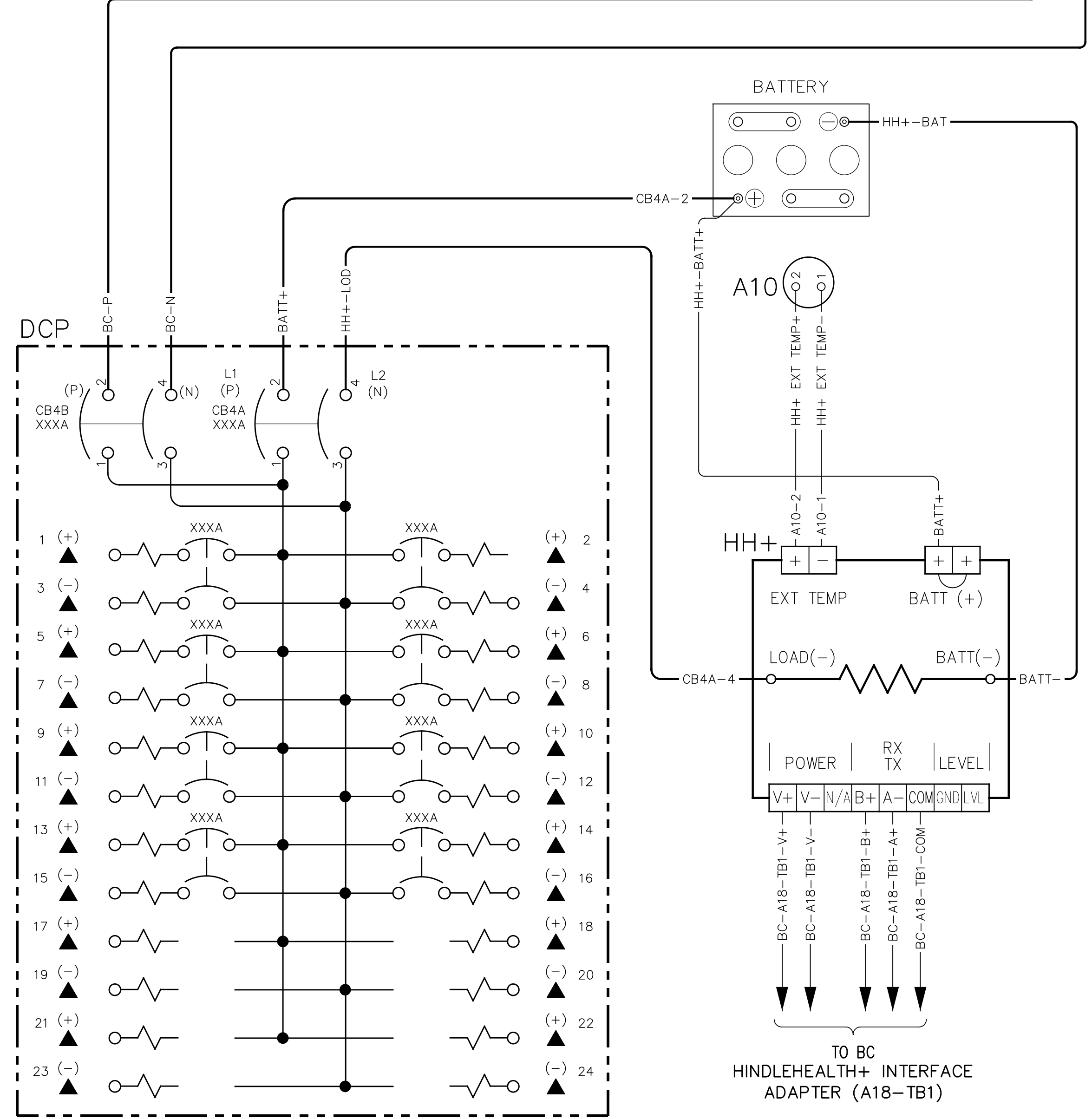
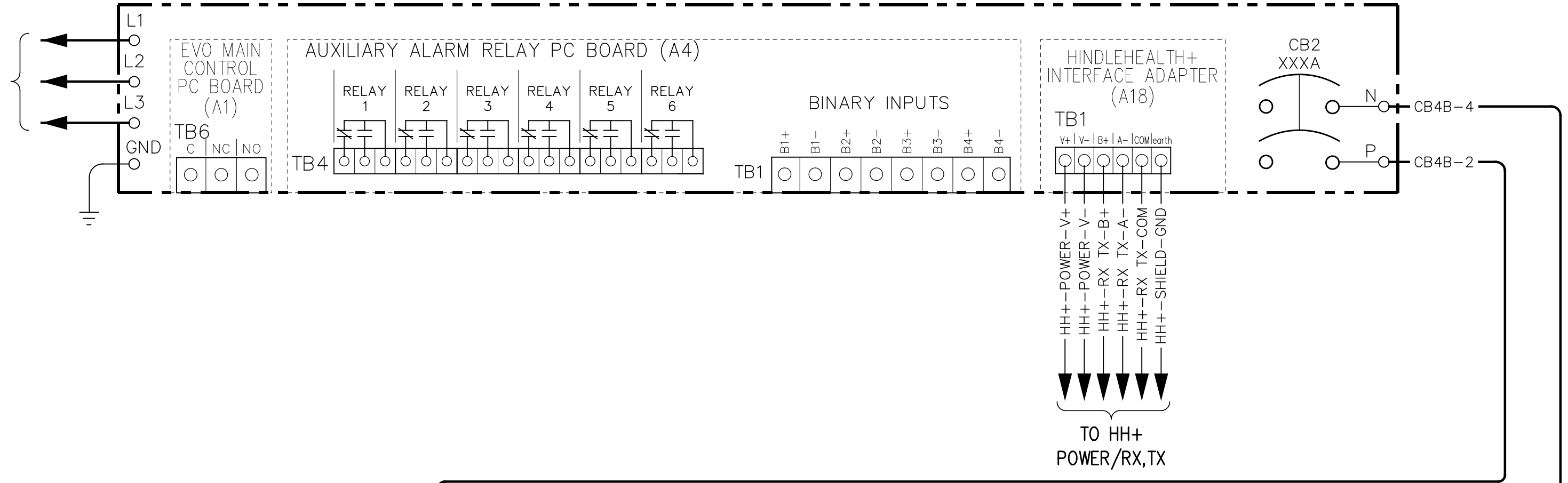
SYMBOL	DESCRIPTION
A10	TEMPERATURE COMPENSATION PROBE
ATEvo	BATTERY CHARGER
HH+	HINDLE HEALTH PLUS

REV. DRN BY: KJB CHK BY: RB APP BY: JNK DATE: 5/22/2023	DRN BY: KJB DATE: 5/22/2023	<p>1075 Saint John Street Easton, PA 18042-6661 PH: 610-336-9200 FAX: 610-336-8500 www.hindlepowerinc.com</p>
DESCRIPTION: INITIAL RELEASE	CHK BY: RB DATE: 5/22/2023	
<p>PROPERTY AND CONFIDENTIAL NOTICE: ANY REPRODUCTION, PARTIAL OR AS AN UNLAWFUL COPY, WITHOUT THE WRITTEN PERMISSION OF HINDLEPOWER, INC. IS EXPRESSLY PROHIBITED.</p>		<p>ALL DIMENSIONS FOLLOW THE ANSI Y14.5M-2018 DIMENSIONING PRACTICES UNLESS OTHERWISE SPECIFIED.</p>
<p>SCALE: D DWG NO: JF5000-00</p>		<p>REV: 0 SHEET: 1 OF 4</p>

SCHEMATIC

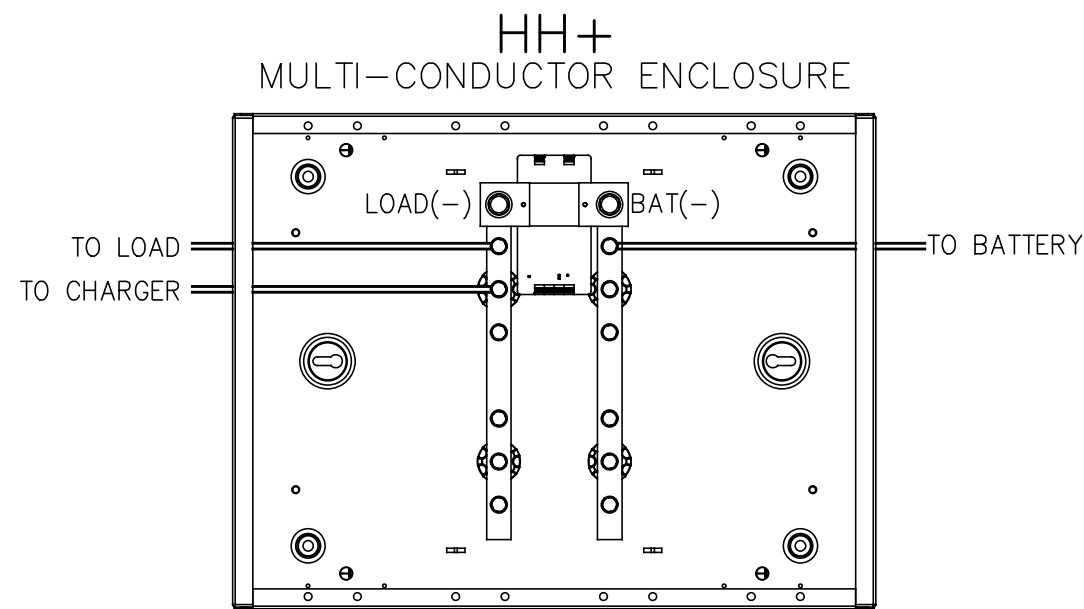


TO CHARGER BREAKER OF AC PANEL (ACP)



I/O TERMINAL	DESCRIPTION	CONNECTION
LOAD(-)	NEGATIVE LOAD AND BATTERY CHARGER TERMINAL	0.38in/9.7mm STUD
BAT(-)	NEGATIVE BATTERY TERMINAL	0.38in/9.7mm STUD

TORQUE RATING OF LOAD(-) & BATT(-) CONNECTIONS IS 23 FT/LBS



I/O TERMINAL	DESCRIPTION	CONNECTION
LOAD(-)	NEGATIVE LOAD AND BATTERY CHARGER TERMINALS	0.38in/9.7mm HOLE
BAT(-)	NEGATIVE BATTERY TERMINALS	0.38in/9.7mm HOLE

TORQUE RATING OF LOAD(-) & BATT(-) CONNECTIONS IS 23 FT/LBS

EPIC SERIES COMPONENTS

SYMBOL	DESCRIPTION
A10	TEMPERATURE COMPENSATION PROBE
ATevo	BATTERY CHARGER
DCP	DC PANELBOARD
HH+	HINDLE HEALTH PLUS

1075 Saint John Street  
Easton, PA 18042-6661  
PH 610-336-9200 FAX 610-336-8500  
www.hindlepowerinc.com

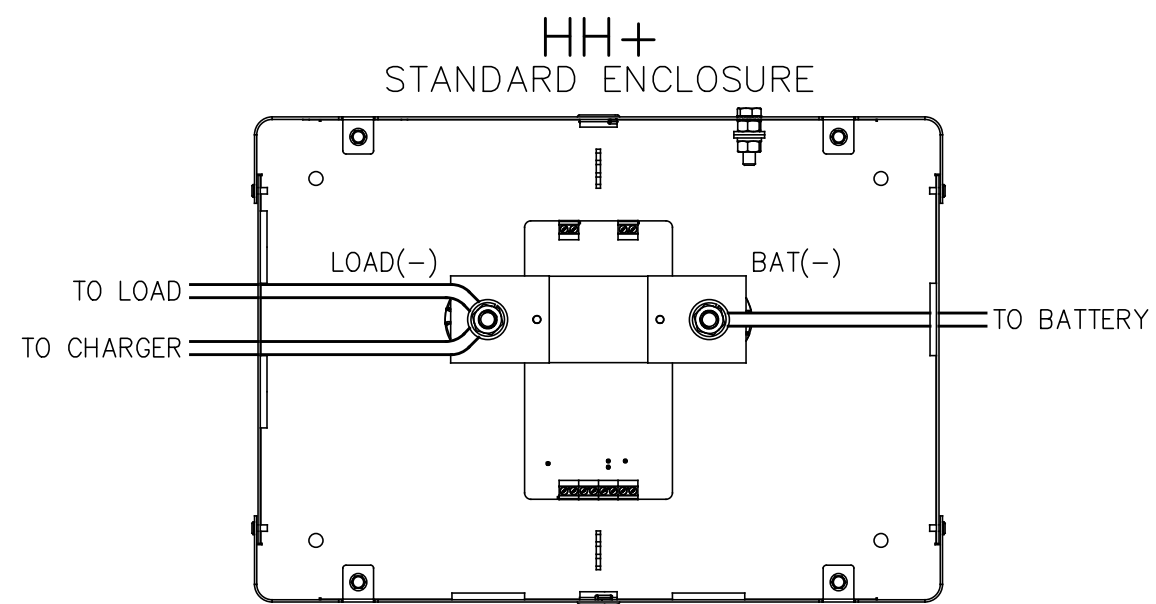
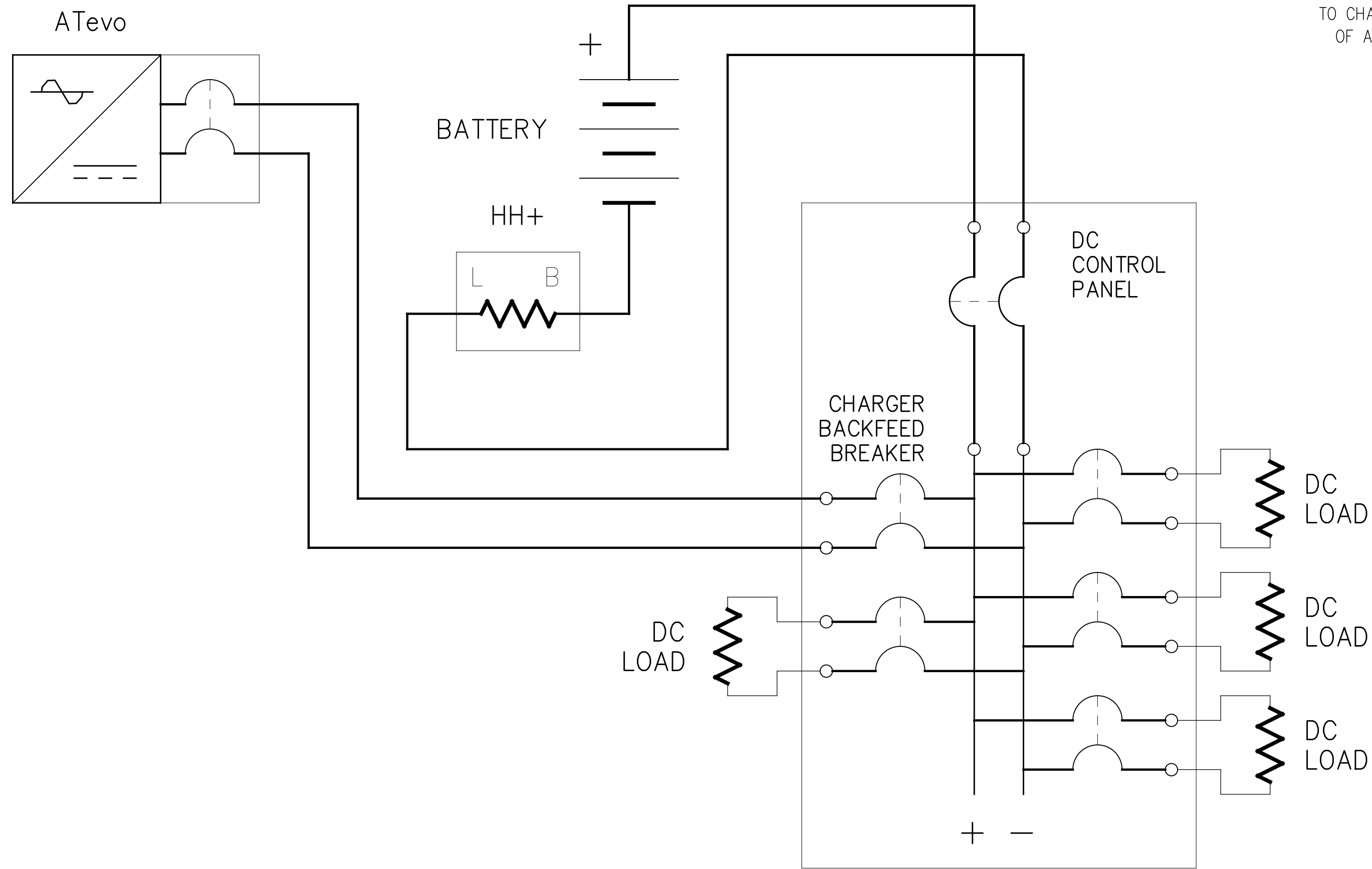
**HINDLEPOWER**

HINDLE HEALTH +  
SYSTEM CONFIGURATIONS

REV: DRN BY: CHK BY: APP BY: DATE: DRN BY: DATE: DRN BY: DATE:  
0 KJB RB JNK 5/22/2023 KJB 5/22/2023 RB 5/22/2023  
DESCRIPTION: INITIAL RELEASE  
APP BY: DATE: APP BY: DATE:  
JNK 5/22/2023  
TITLE: HINDLE HEALTH + SYSTEM CONFIGURATIONS  
PROPERTY AND CONFIDENTIAL NOTICE:  
ANY REPRODUCTION, PARTIAL OR AS A WHOLE OF THIS DOCUMENT WITHOUT THE WRITTEN PERMISSION OF HINDLEPOWER, INC IS EXPRESSLY PROHIBITED.

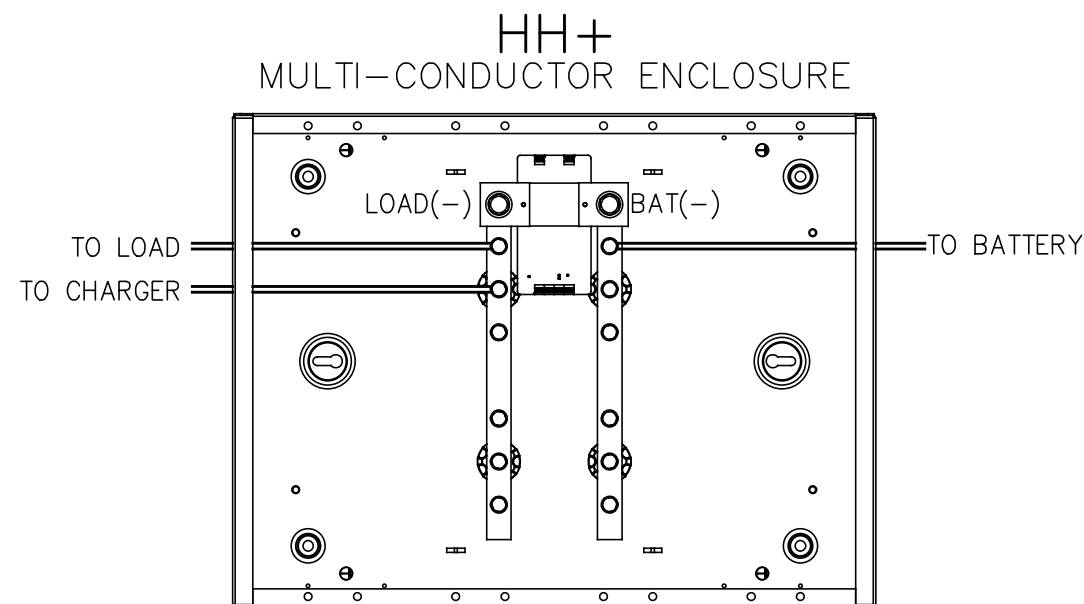
SCALE: DWG NO: JF5000-00 REV: SHEET: 0 2 OF 4

SCHEMATIC



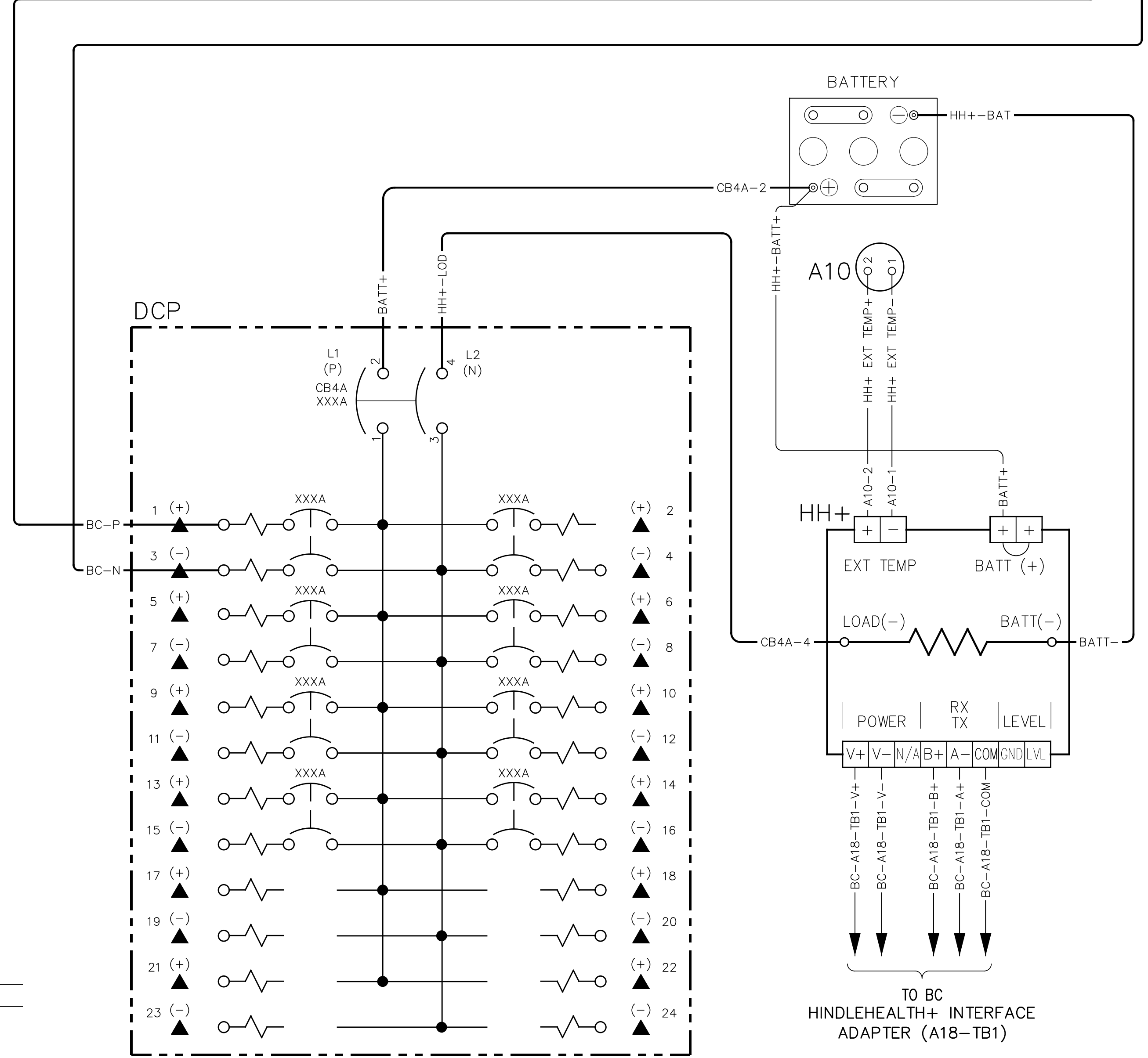
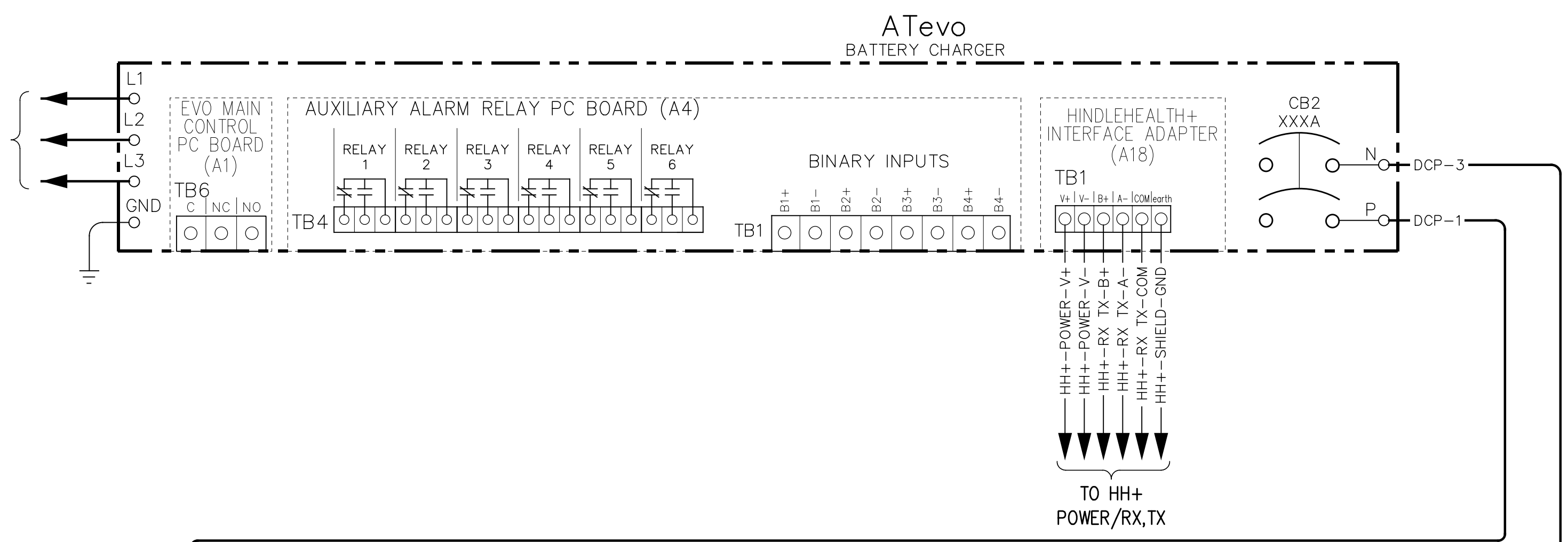
I/O TERMINAL	DESCRIPTION	CONNECTION
LOAD(-)	NEGATIVE LOAD AND BATTERY CHARGER TERMINAL	0.38in/9.7mm STUD
BAT(-)	NEGATIVE BATTERY TERMINAL	0.38in/9.7mm STUD

TORQUE RATING OF LOAD(-) & BATT(-) CONNECTIONS IS 23 FT/LBS



I/O TERMINAL	DESCRIPTION	CONNECTION
LOAD(-)	NEGATIVE LOAD AND BATTERY CHARGER TERMINALS	0.38in/9.7mm HOLE
BAT(-)	NEGATIVE BATTERY TERMINALS	0.38in/9.7mm HOLE

TORQUE RATING OF LOAD(-) & BATT(-) CONNECTIONS IS 23 FT/LBS

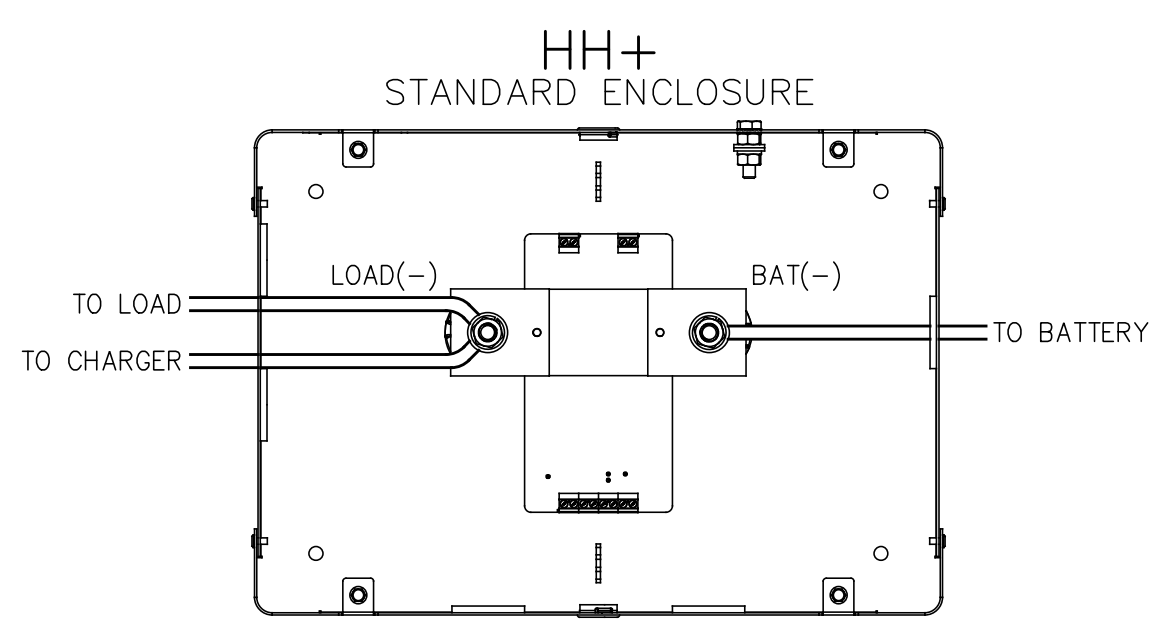
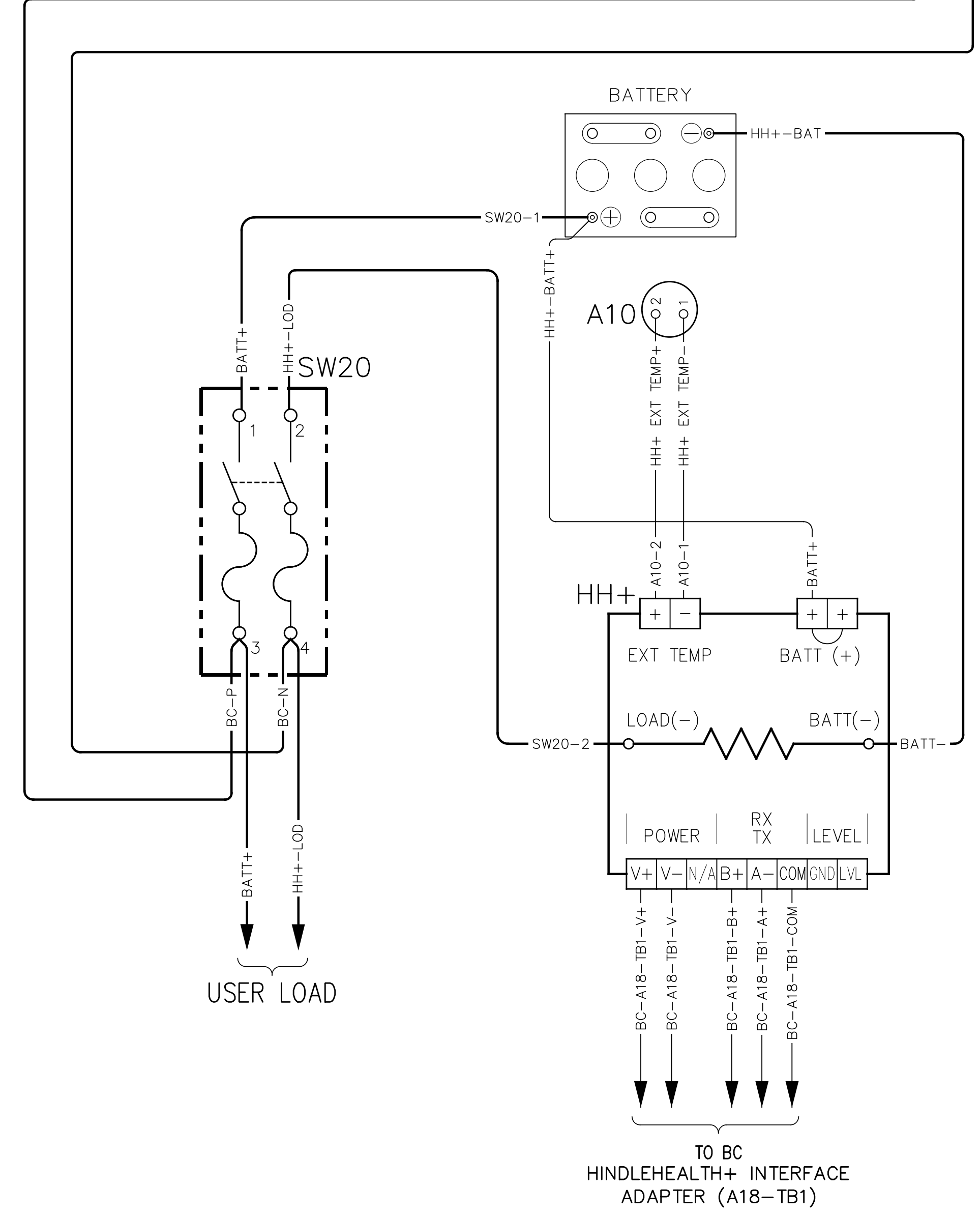
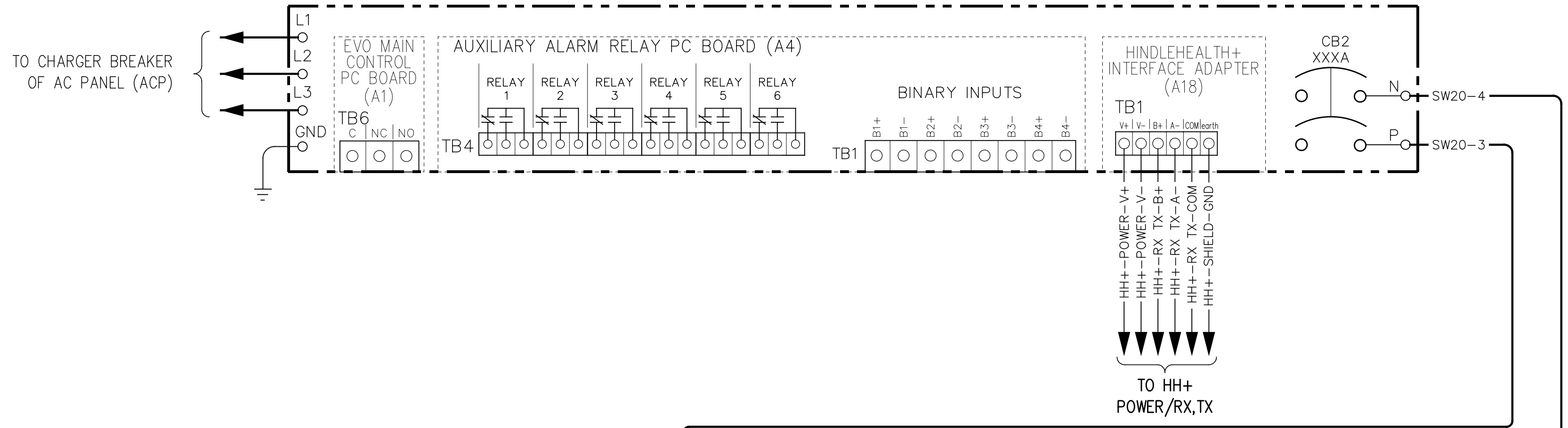
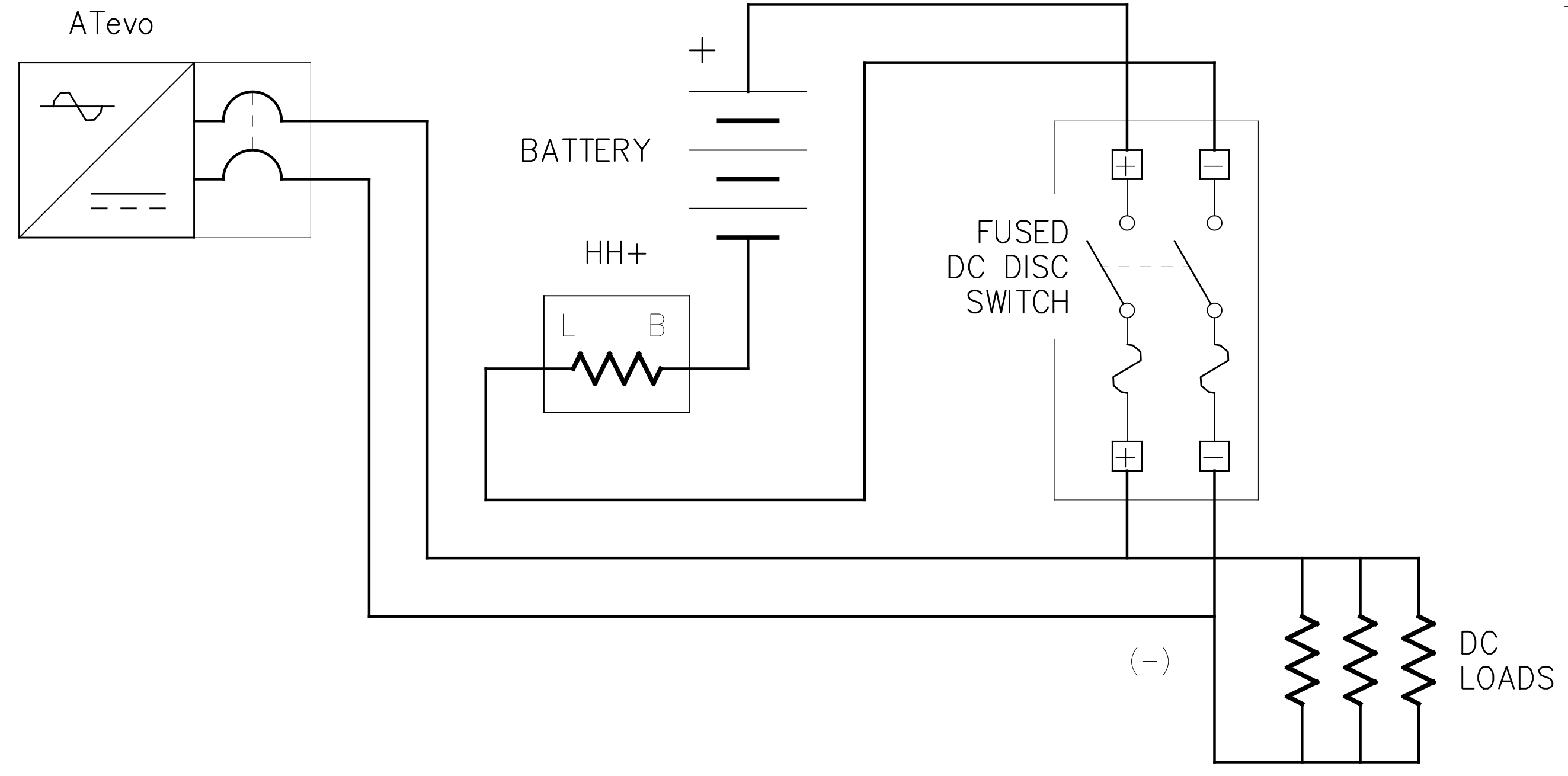


EPIC SERIES COMPONENTS

SYMBOL	DESCRIPTION
A10	TEMPERATURE COMPENSATION PROBE
ATevo	BATTERY CHARGER
DCP	DC PANELBOARD
HH+	HINDLE HEALTH PLUS

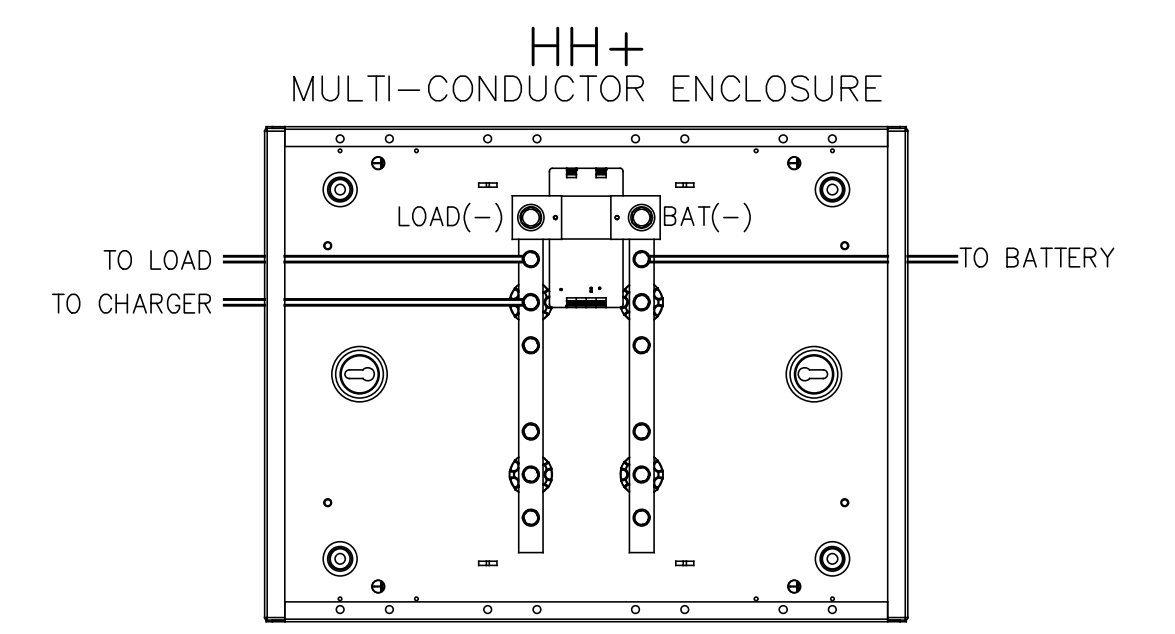
REV. DRN BY: KJB CHK BY: RB APP BY: JNK DATE: 5/22/2023	DRN BY: KJB DATE: 5/22/2023	<p><b>HINDLEPOWER</b></p> <p>1075 Saint John Street Easton, PA 18042-6661 PH: 610-336-9200 FAX: 610-336-8500 www.hindlepowerinc.com</p>
DESCRIPTION: INITIAL RELEASE	CHK BY: RB DATE: 5/22/2023	
PROPERTY AND CONFIDENTIAL NOTICE: ANY REPRODUCTION, PARTIAL OR AS A WHOLE OF THIS DOCUMENT WITHOUT THE WRITTEN PERMISSION OF HINDLEPOWER, INC IS EXPRESSLY PROHIBITED.		<p>ALL DIMENSIONS UNLESS SPECIFIED ALL DIMENSIONS FOLLOW THE ANSI Y14.5M-2018 DIMENSIONING PRACTICES UNLESS OTHERWISE SPECIFIED.</p>
<p>SCALE: D</p> <p>DWG NO: JF5000-00</p> <p>REV: 0</p> <p>SHEET: 3 OF 4</p>		<p>1075 Saint John Street Easton, PA 18042-6661 PH: 610-336-9200 FAX: 610-336-8500 www.hindlepowerinc.com</p> <p><b>HINDLE HEALTH + SYSTEM CONFIGURATIONS</b></p>

# SCHEMATIC



I/O TERMINAL	DESCRIPTION	CONNECTION
LOAD(-)	NEGATIVE LOAD AND BATTERY CHARGER TERMINAL	0.38in/9.7mm STUD
BAT(-)	NEGATIVE BATTERY TERMINAL	0.38in/9.7mm STUD

TORQUE RATING OF LOAD(-) & BATT(-) CONNECTIONS IS 23 FT/LBS



I/O TERMINAL	DESCRIPTION	CONNECTION
LOAD(-)	NEGATIVE LOAD AND BATTERY CHARGER TERMINALS	0.38in/9.7mm HOLE
BAT(-)	NEGATIVE BATTERY TERMINALS	0.38in/9.7mm HOLE

TORQUE RATING OF LOAD(-) & BATT(-) CONNECTIONS IS 23 FT/LBS

## EPIC SERIES COMPONENTS

SYMBOL	DESCRIPTION
A10	TEMPERATURE COMPENSATION PROBE
ATEvo	BATTERY CHARGER
HH+	HINDLE HEALTH PLUS
SW20	DC DISCONNECT SWITCH

REV. DRN BY: KJB	CHK BY: RB	APP BY: JNK	DATE: 5/22/2023	DRN BY: KJB	DATE: 5/22/2023		1075 Saint John Street Easton, PA 18042-6661 PH: 610-336-9200 FAX: 610-336-8500 www.hindlepowerinc.com
DESCRIPTION: INITIAL RELEASE	CHK BY: RB	DATE: 5/22/2023	APP BY: JNK	DATE: 5/22/2023	TITLE: HINDLE HEALTH + SYSTEM CONFIGURATIONS		
PROPERTY AND CONFIDENTIAL NOTICE: ANY REPRODUCTION, PARTIAL OR AS A WHOLE OF THIS DOCUMENT WITHOUT THE WRITTEN PERMISSION OF HINDLEPOWER, INC. IS EXPRESSLY PROHIBITED.							SCALE: D DWG NO: JF5000-00 REV: 0 SHEET: 4 OF 4