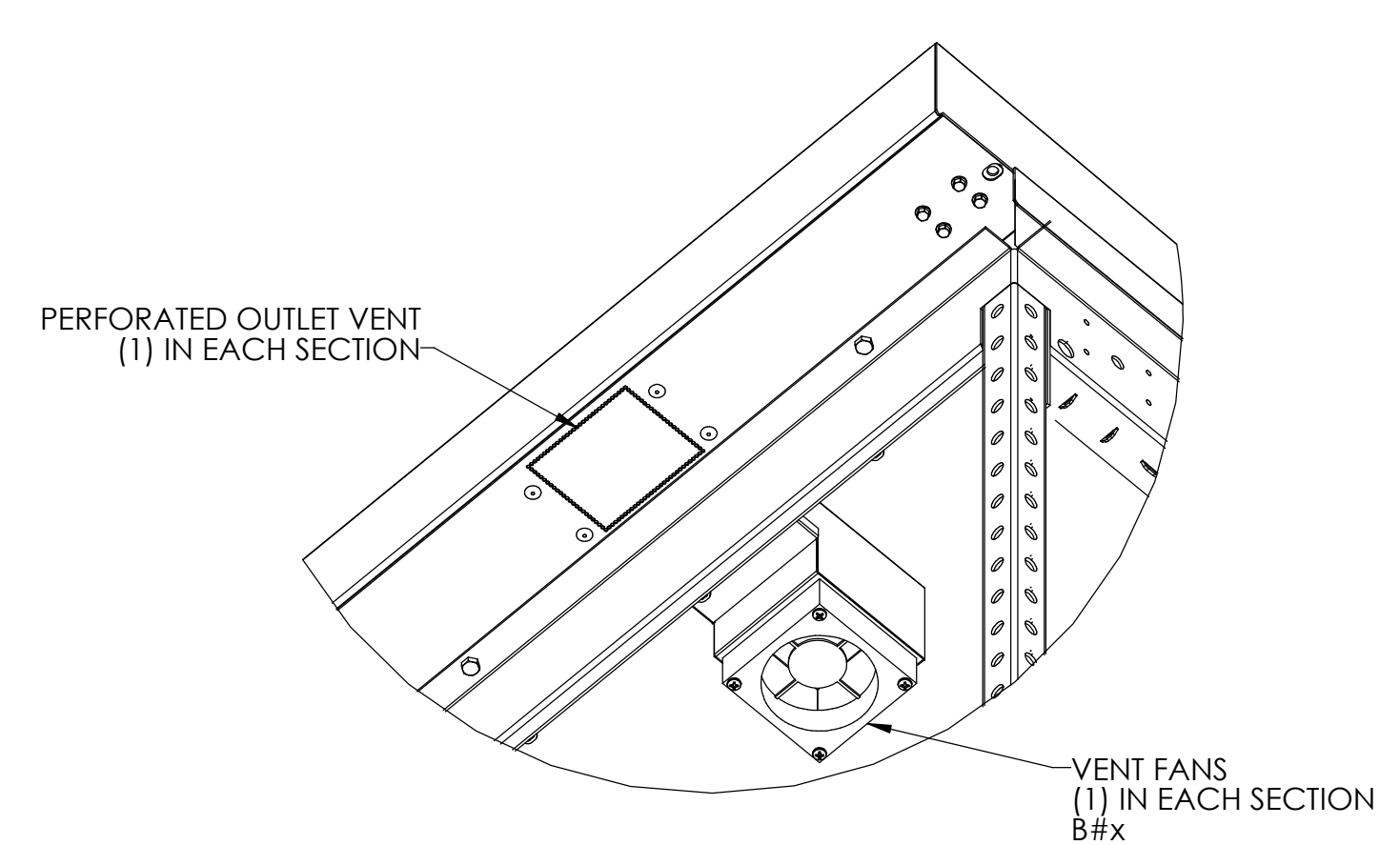
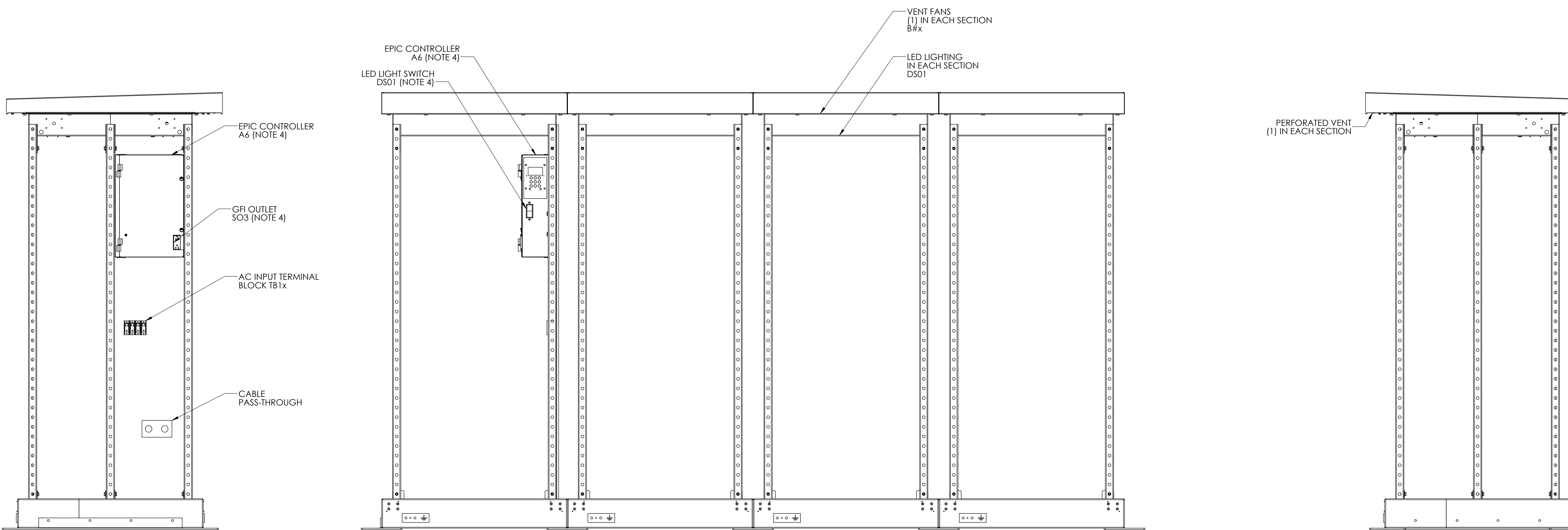


- DESIGN NOTES:
- ENCLOSURE IS A NEMA-3R TYPE CABINET WITH GASKETING AND FOAM INJECTED PANELING. FINISH IS ANSTI 61 GREY POWDERCOAT.
 - HINGES MADE OF STAINLESS STEEL GRADE 316
 - CONDUIT ENTRY PROVIDED THROUGH SIDE PANEL 10.5in BY 14in GLAND PLATE AVAILABLE FOR KNOCKOUT. SEE FOUNDATION DRAWINGS (JE5276-04) FOR KNOCKOUT LOCATIONS. CONDUIT ACCESS ALSO AVAILABLE FROM UNDERNEATH CABINET.
 - LOCATE UNIT ONTO A PERMANENT, FLAT, AND LEVELED SURFACE, PREFERABLY CONCRETE OR OTHER FIREPROOF MATERIAL. SURFACE MUST BE CAPABLE OF SUPPORTING WEIGHT OF COMPLETE SYSTEM AND INSTALLED COMPONENTS. SEE FOUNDATION DRAWING (JE5276-04) FOR LOADING INFORMATION.
 - VENTILATION AND THERMAL MANAGEMENT OF BATTERIES PER IEEE 1635. SEISMIC CERTIFICATION PER IEEE 693.
 - THE WEIGHT OF THE CONSOLE WITHOUT BATTERIES IS 1473lb [668kg]
 - FOR LIFTING, USE OPTIONAL STRAPPING SYSTEM (SEE EI5196-02).

C:\Hindle Vault\Custom Drawings\CONSOLES 2.12.14 SEC

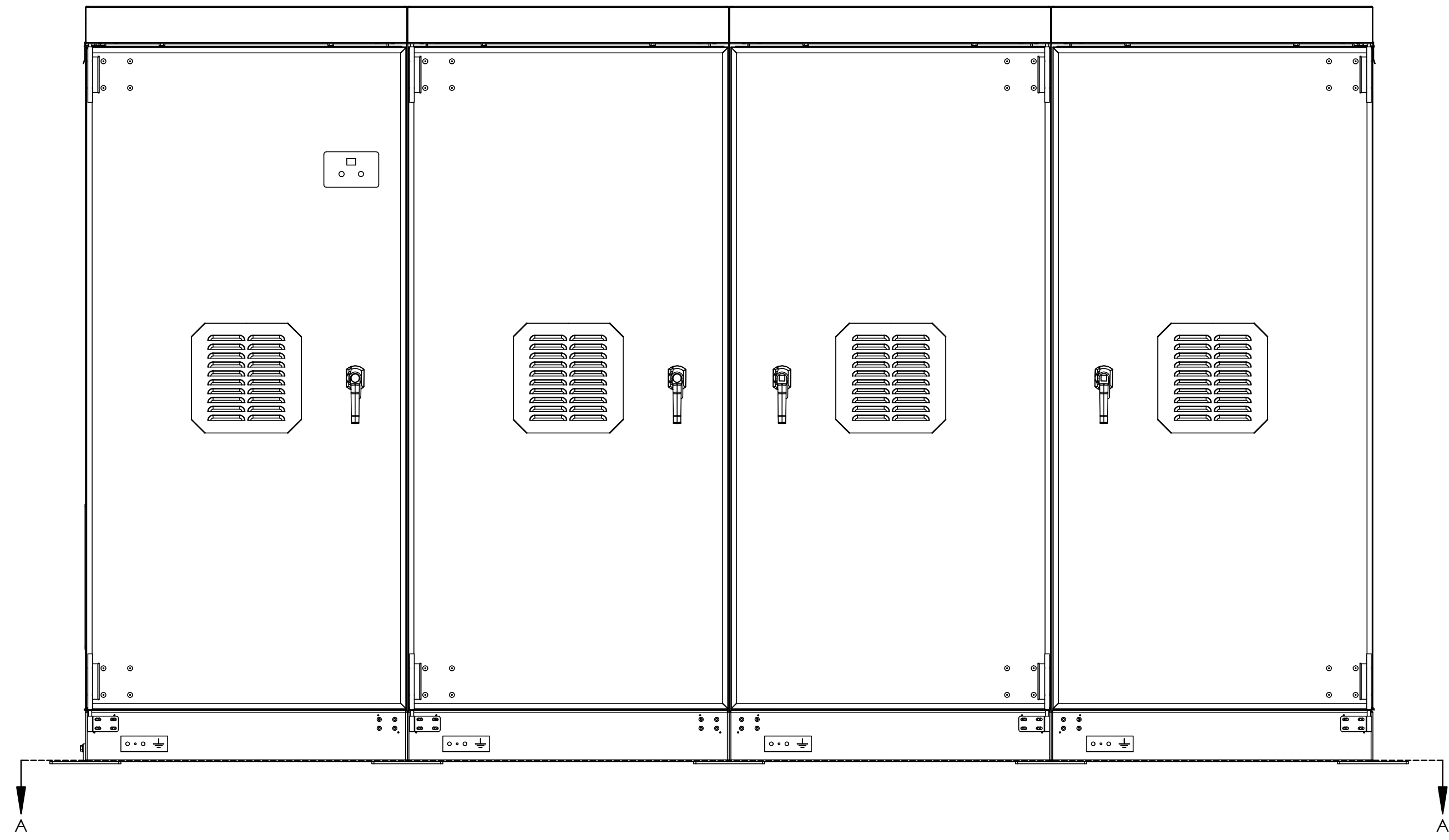
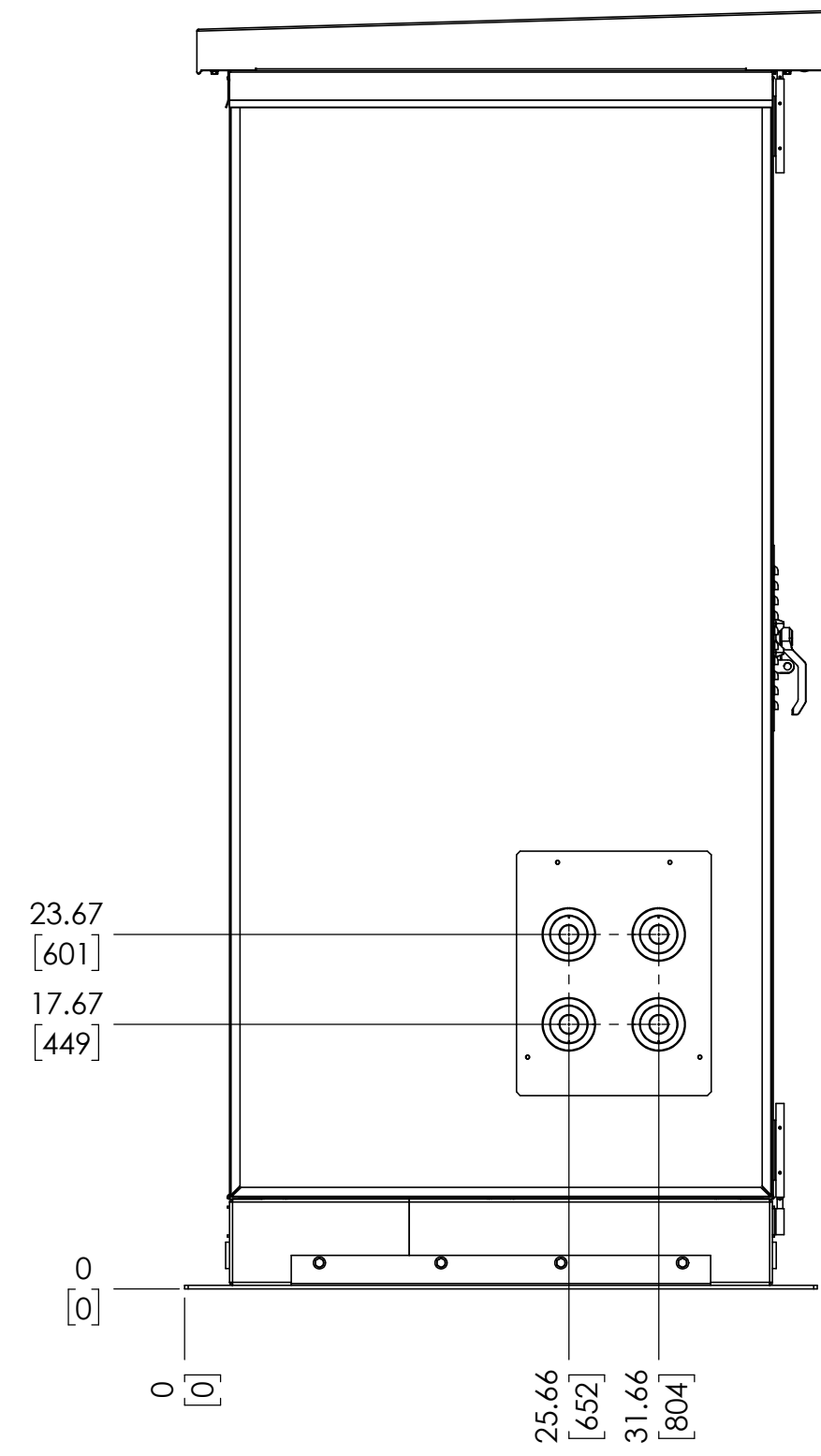
REV DRN BY CHK BY APP BY DATE Initial Release	DRN BY DATE CHK BY DATE APP BY DATE	TITLE EPIC SERIES 2.0 CONSOLE OUTLINE: NEMA 3R STYLE 5063 ENCL SALES ORDER No. N/A	HINDLEPOWER 1735 East 1200 Street Suite 100 - West Provo, UT 84601 www.hindlepower.com
PROPERTY AND CONFIDENTIAL NOTICE ANY REPRODUCTION, PARTIAL OR AS A WHOLE OF THIS DOCUMENT WITHOUT THE WRITTEN PERMISSION OF HINDLE POWER, INC IS STRICTLY PROHIBITED.		UNLESS OTHERWISE SPECIFIED ALL DIMENSIONS FOLLOW THE AS SHOWN DIMENSIONS (INCHES-POUNDS & SECONDS) TOLERANCES ARE: FRACTIONS DEC: ± 0.125, ANG: ± 2°	SCALE DWG No REV SHEET D 1:12 JE5269-04 A 1 OF 3



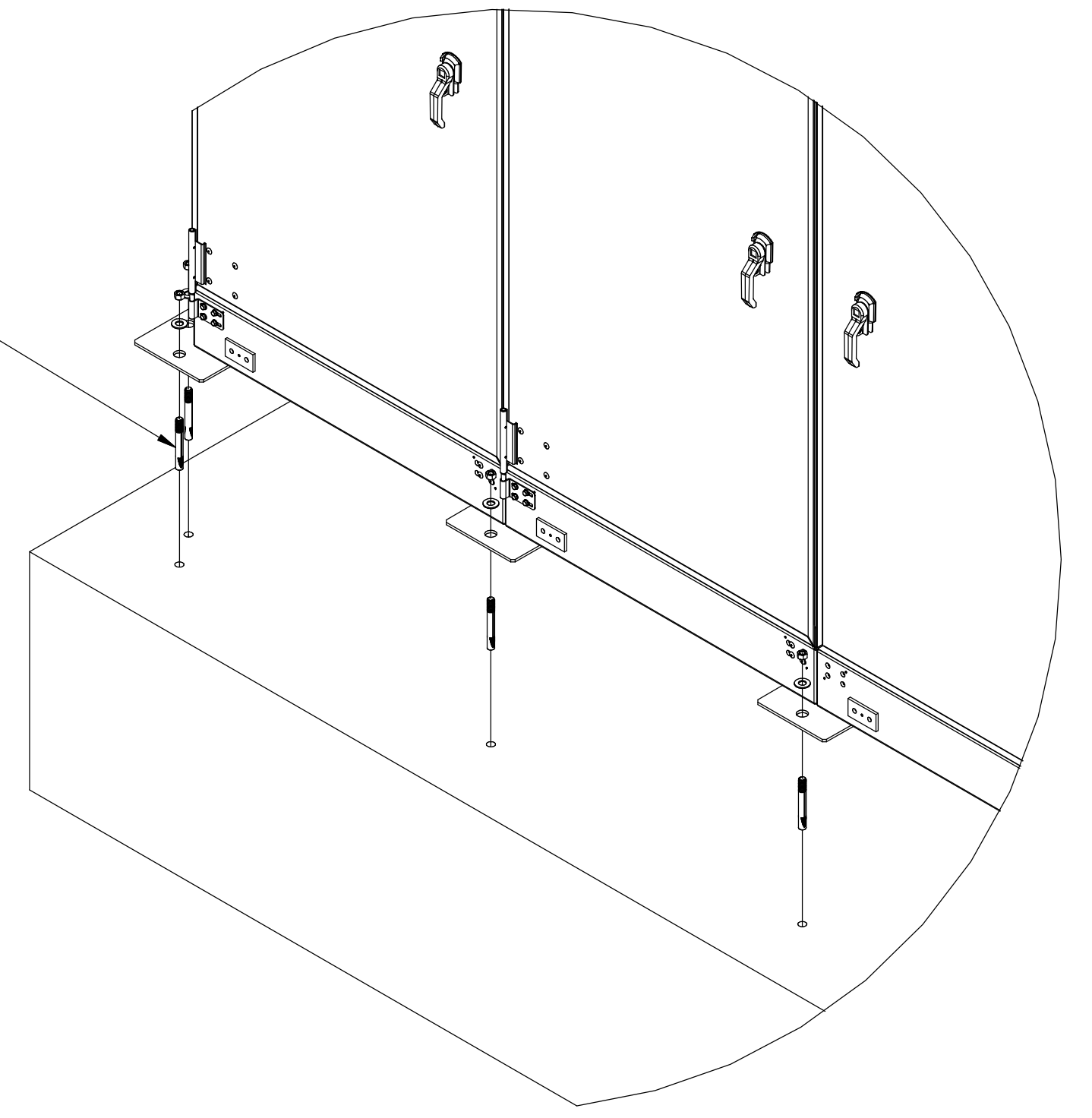
1. TO PROVIDE A CLEAR VIEW OF THE CONSOLE INTERNAL COMPONENTS, THE FOLLOWING ITEMS ARE NOT SHOWN:
 - FRONT DOORS W/ EYE WASH
 - REAR PANELS/DOORS
 - LEFT AND RIGHT SIDE PANELS
2. DO NOT LIFT, PUSH OR RELOCATE THE EPIC CONSOLE WITH BATTERIES INSTALLED WITHIN ENCLOSURE.
3. BATTERY TYPE: REFERENCE (## JARS)
4. EPIC CONTROLLER (A6) CONTAINS
 - A4x RELAY BOARDS
 - A5 DISPLAY BOARD
 - A12 POWER SUPPLY
 - CB# CIRCUIT BREAKERS
 - E1+- POWER SUPPLY CONNECTION POINTS
 - EN/G NEUTRAL/ GROUND CONNECTION POINTS
 - K2 HEATER SOLID STATE RELAY (OPTIONAL)
 - SO3 GFI OUTLET
 - SW1 LIGHT SWITCH

C:\Hindle Vault\Custom Drawings\CONSOLES 2.12.14 SEC

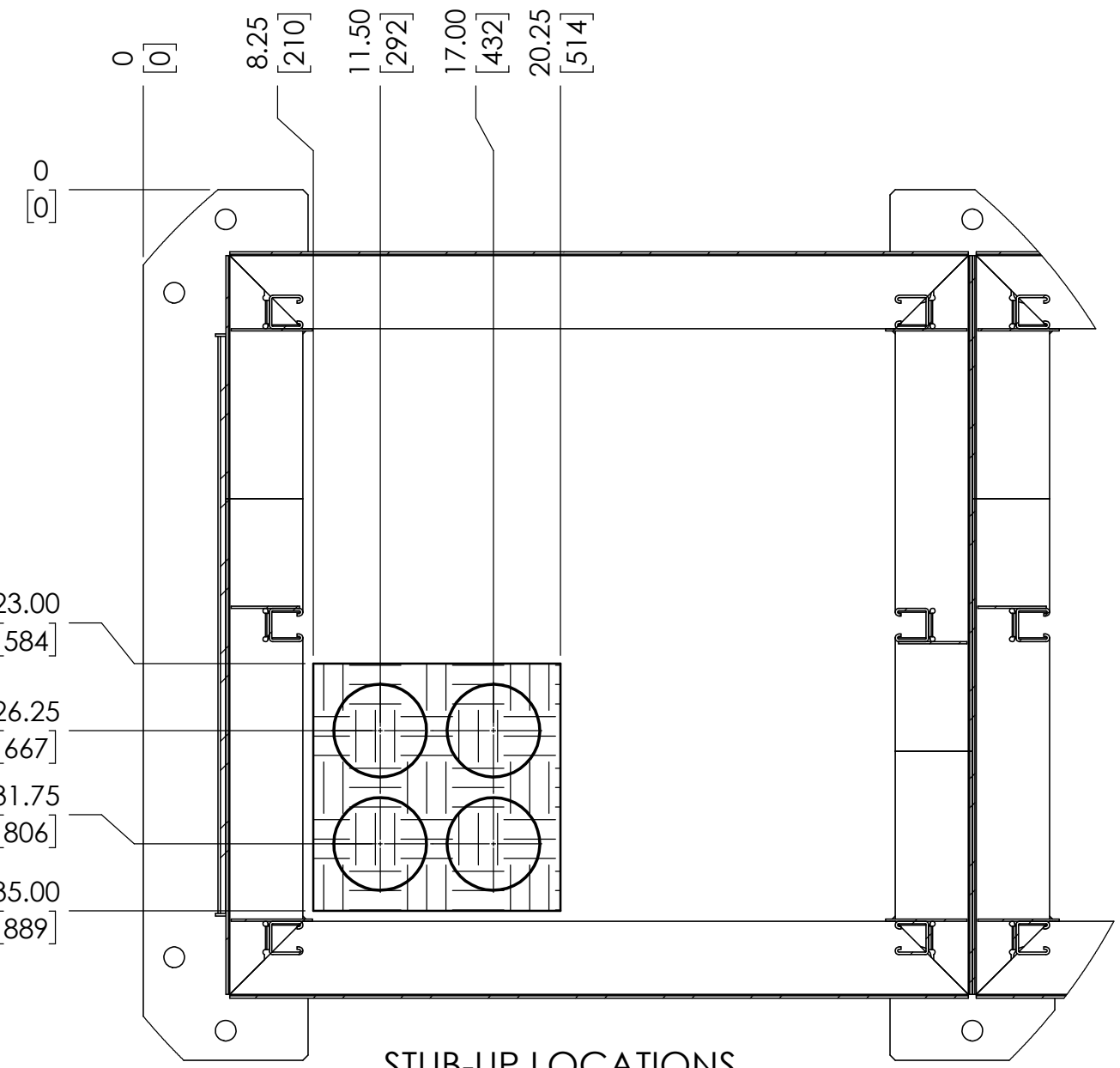
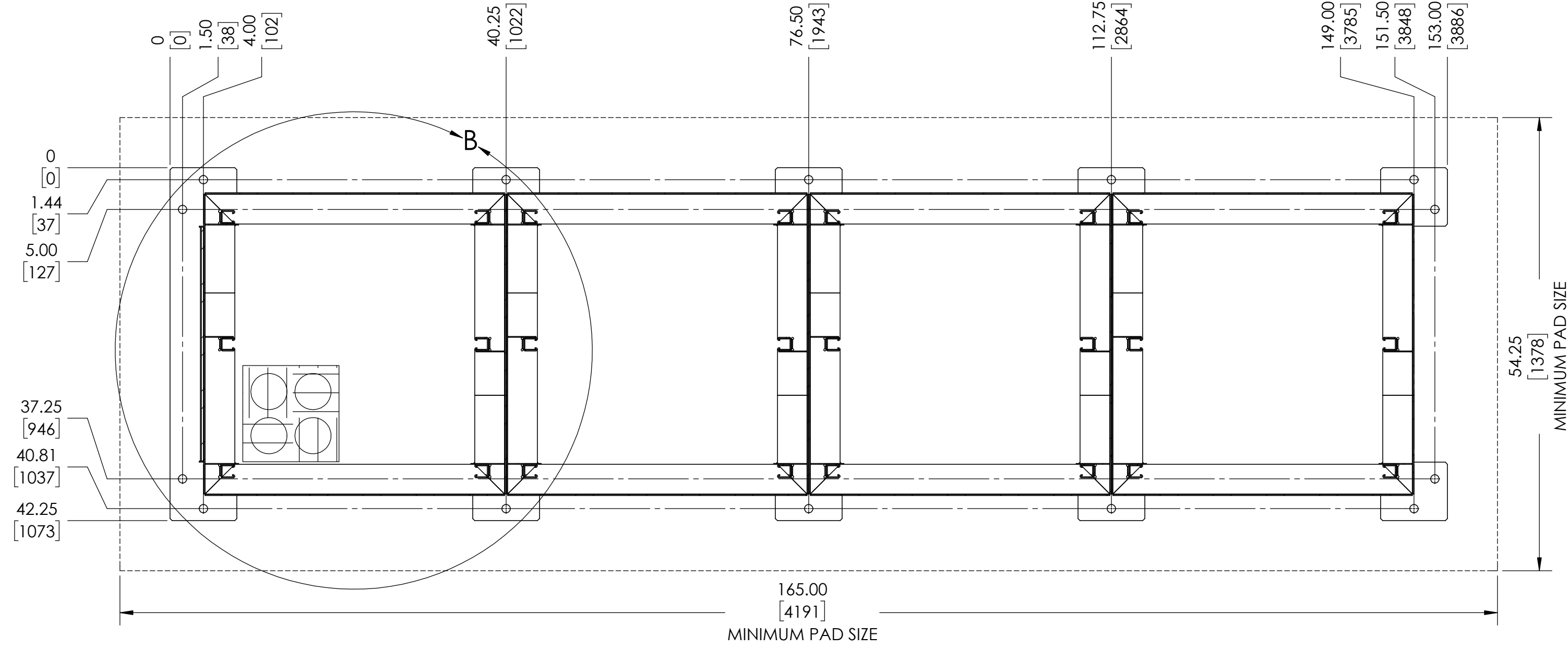
REV DRN BY CHK BY APP BY DATE DESCRIPTION Initial Release	DRN BY DATE CHK BY DATE APP BY DATE	TITLE EPIC SERIES 2.0 CONSOLE INTERNAL LAYOUT: 1 ELEC. / 3 BATT. SALES ORDER No. N/A	PROPERTY AND CONFIDENTIAL NOTICE ANY REPRODUCTION, PARTIAL OR AS A WHOLE OF THIS DOCUMENT WITHOUT THE WRITTEN PERMISSION OF HINDLE POWER, INC IS STRICTLY PROHIBITED.
UNLESS OTHERWISE SPECIFIED ALL DIMENSIONS FOLLOW THE ASH 91.10 PER 1" (INCH) & POLARIS & SECONDS (TOLERANCES ARE: FPMAC 1/164, DEC 2 512, AND 2 25")			12/15/14 12/15/14 12/15/14 www.hindlepower.com
ANY REPRODUCTION, PARTIAL OR AS A WHOLE OF THIS DOCUMENT WITHOUT THE WRITTEN PERMISSION OF HINDLE POWER, INC IS STRICTLY PROHIBITED.		D SCALE: 1:10 DWG No. JE5270-04	REV SHEET A 2 OF 3



NOTE 2



A-A MOUNTING DIMENSIONS

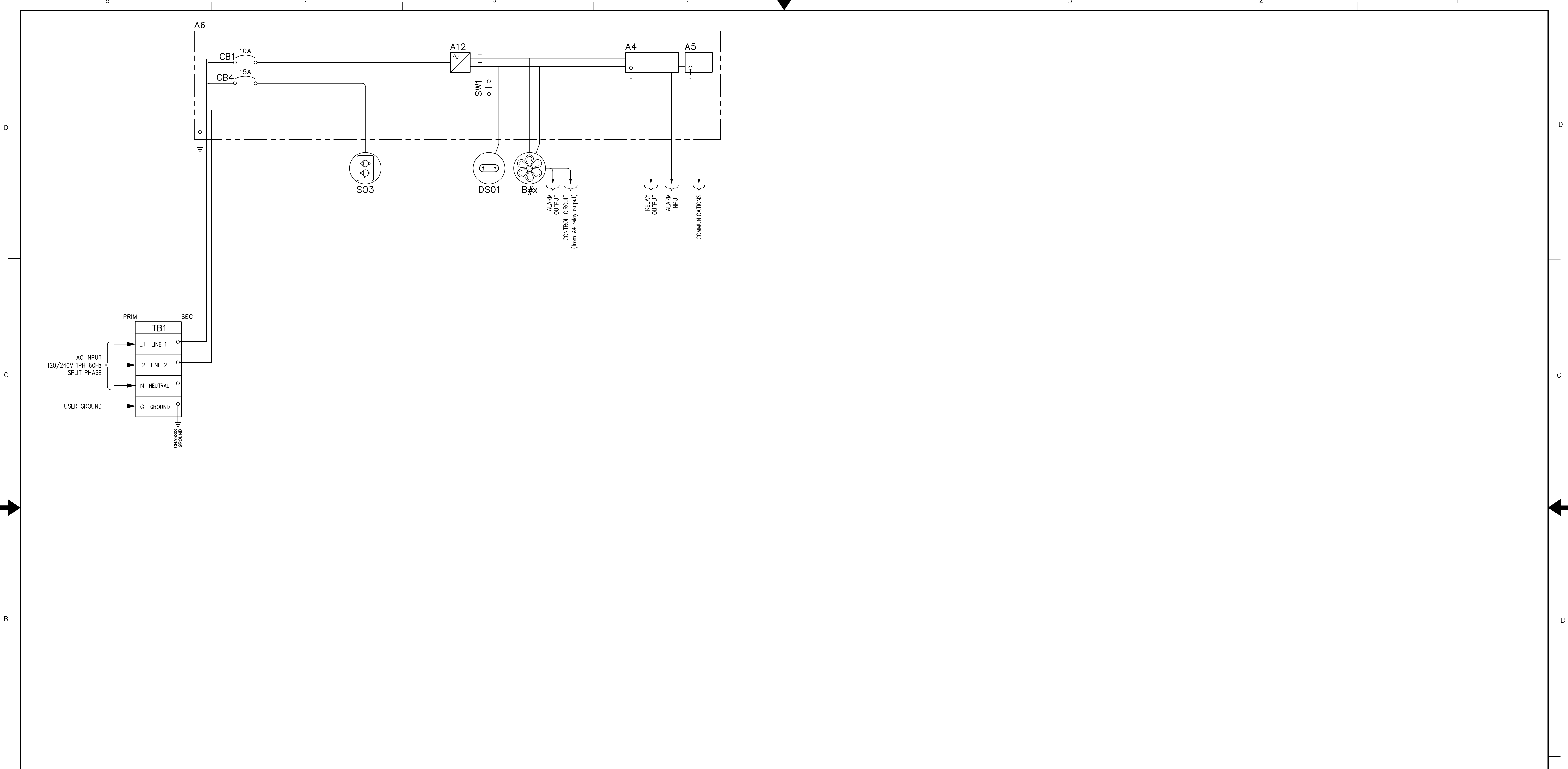


STUB-UP LOCATIONS
DETAIL B
SCALE 1 : 8

- NOTES:
1. MOUNTING DIMENSIONS SHOWN ON DRAWING ARE FINAL. WE RECOMMEND PLACING CONSOLE THEN DRILLING FOR MOUNTING ANCHORS.
 2. ANCHOR BOLTS ARE TO BE HILTI M12 HDA-TR STAINLESS STEEL UNDERCUT (OR EQUIVALENT). HOLE DEPTH TO BE MINIMUM OF 5.3" [135mm]. PAD DEPTH TO BE MINIMUM OF 8.0" [203mm]
 3. CONCRETE PAD TO EXTEND A MINIMUM OF 6" [153mm] FROM EDGE OF CABINET ON ALL SIDES. SEE MOUNTING DIMENSIONS BELOW. THE WEIGHT OF THE CONSOLE WITH BATTERIES (SPECIFIED IN PURCHASE ORDER) IS 1469lb [666kg]
 4. CONCRETE PAD TO BE 4000 psi OR GREATER.
 5. ELECTRICAL CONDUIT MAY ENTER FROM UNDERNEATH CABINET, BUT ONLY THROUGH STUB-UP LOCATIONS SHOWN IN DETAIL B.
 6. CONDUIT ENTRY PROVIDED THROUGH SIDE PANEL 10.5in BY 14in GLAND PLATE AVAILABLE FOR KNOCKOUT. KNOCKOUTS MAY NOT BE VISIBLE, USE DIMENSIONS TO VERIFY BREAKAWAY POINTS.

REV	DRN	CHK	APP	BY	DATE	DRN	BY	DATE
DESCRIPTION			APP BY			DATE		
Initial Release								
PROPERTY AND CONFIDENTIAL NOTICE			UNLESS OTHERWISE SPECIFIED			HINDLEPOWER		
ANY REPRODUCTION, PARTIAL OR AS A WHOLE OF THIS			ALL DIMENSIONS FOLLOW THE			EPIC SERIES 2.0 CONSOLE		
DOCUMENT WITHOUT THE WRITTEN PERMISSION OF			INCHES-POUNDS & SECONDS			FOUNDATION DRAWING		
HINDLE POWER, INC IS STRICTLY PROHIBITED.			TOLERANCES ARE: FIN: 0.004			SALES ORDER No. N/A		
			DEC 2 9 11 AM '25			SCALE DWG No		
						D 1:12		
						REV SHEET		
						A 3 OF 3		

C:\Hindle Vault\Custom Drawings\CONSOLES 2.12.14 SEC



EPIC SERIES COMPONENTS

SYMBOL	DESCRIPTION
A1	HYDROGEN DETECTOR
A4	HINDLE HEALTH CONTROLLER
A5	HINDLE HEALTH DISPLAY
A6	EPIC CONTROLLER
A12	12VDC POWER SUPPLY
ACP	AC PANELBOARD
Bx	VENT FANS
CB1	CIRCUIT BREAKER FOR A12 P/S
CB4	CIRCUIT BREAKER FOR GFI OUTLET
DCP	DC PANELBOARD
DS01	CONSOLE LED LIGHTS
DS02	RED LED
DS03	GREEN LED
S03	15A GFI OUTLET
SW1	CONSOLE LED LIGHT SWITCH(ES)
TB1	AC INPUT TERMINAL BLOCK

LEGEND FOR EPIC LINE

SYMBOL	DESCRIPTION
○	DEVICE TERMINAL
◊	TERMINAL BLOCK POINT IN TRANSFORMER
◆	TERMINAL BLOCK POINT FOR SCADA
◇	TERMINAL BLOCK POINT FOR COMMUNICATIONS
◈	TERMINAL BLOCK POINT IN POWER CIRCUIT BREAKER
▲	TERMINAL IN A.C. OR D.C. PANELBOARD
—	SHIPPED WITH WIRING INSTALLED
- - -	WIRING TO BE INSTALLED

I/O TERMINAL	DESCRIPTION - TYPE	CONNECTION
TB1 PRIM	L1, L2, AC INPUT / USER NTRL, GND TERMINALS - CU-ALUMINUM COMP LUG	(1) 2/0-#14 AWG
TB1 SEC	LINE 1, LINE 2 AC INPUT / USER NTRL, GND TERMINALS - CU-ALUMINUM COMP LUG	(4) #4-#14 AWG

REV. DRN BY: CMF	CHK BY: RCF	DATE: 10/18/2021	DRN BY: KJB	DATE: 10/18/2021		1075 Saint John Street Easton, PA 18042-6661 PH 610-330-8000 FAX 610-330-8009 www.hindlepowerinc.com
DESCRIPTION: STANDARD DRAWINGS.	APP. BY: RCF	DATE: 10/18/2021	FILE: EPIC SERIES 2.0 CONSOLE	SCHEMATIC: N/A		
PROPERTY AND CONFIDENTIAL NOTICE ALL DIMENSIONS FOLLOW THE DIMENSIONS OF THE PARTS UNLESS OTHERWISE SPECIFIED. ANY REPRODUCTION PARTIAL OR AS A WHOLE OF THIS DOCUMENT WITHOUT THE WRITTEN PERMISSION OF HINDLE POWER, INC. IS STRICTLY PROHIBITED.						SCALE: D DWG NO: JE5271-0X REV: 0 SHEET: 1 OF 1