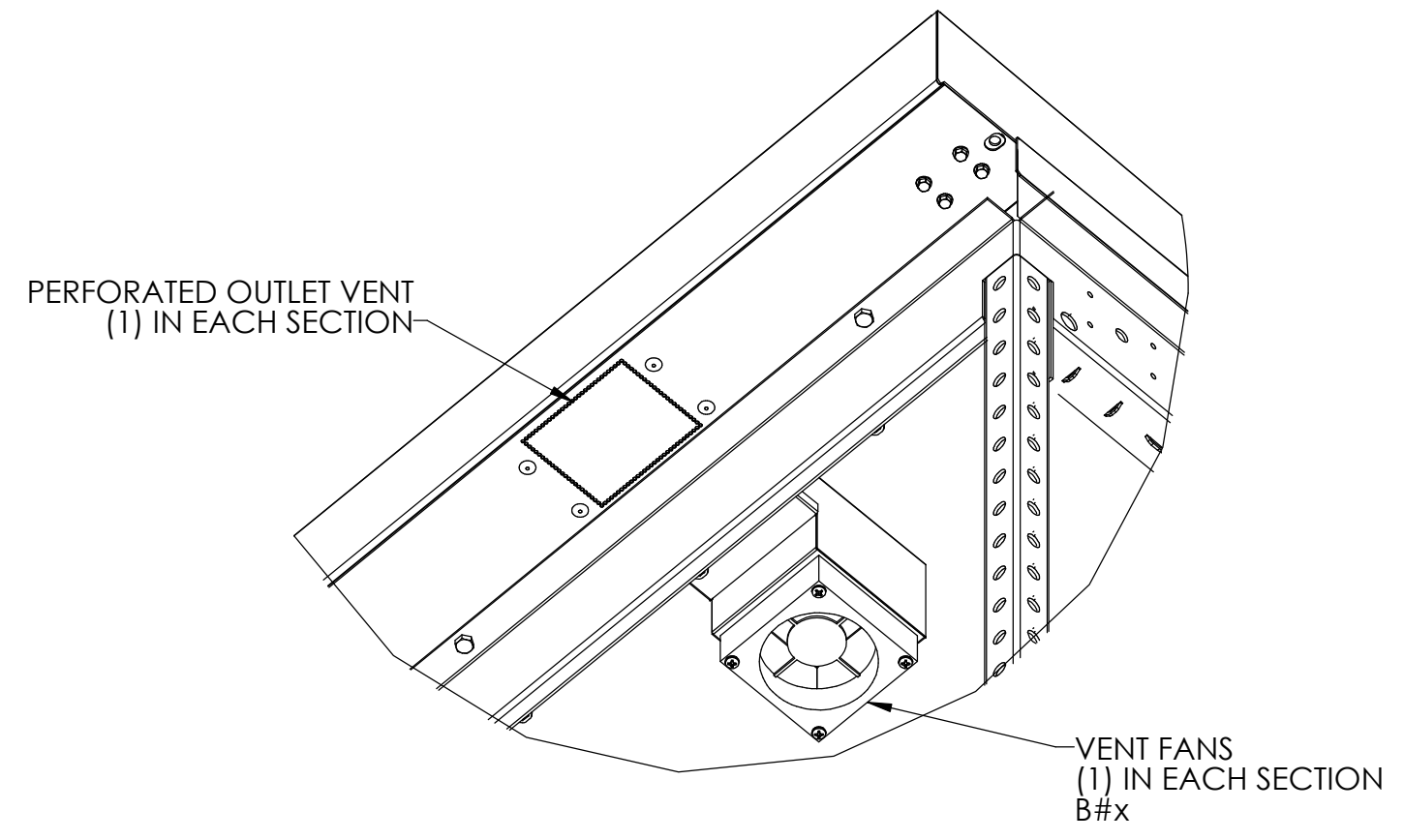
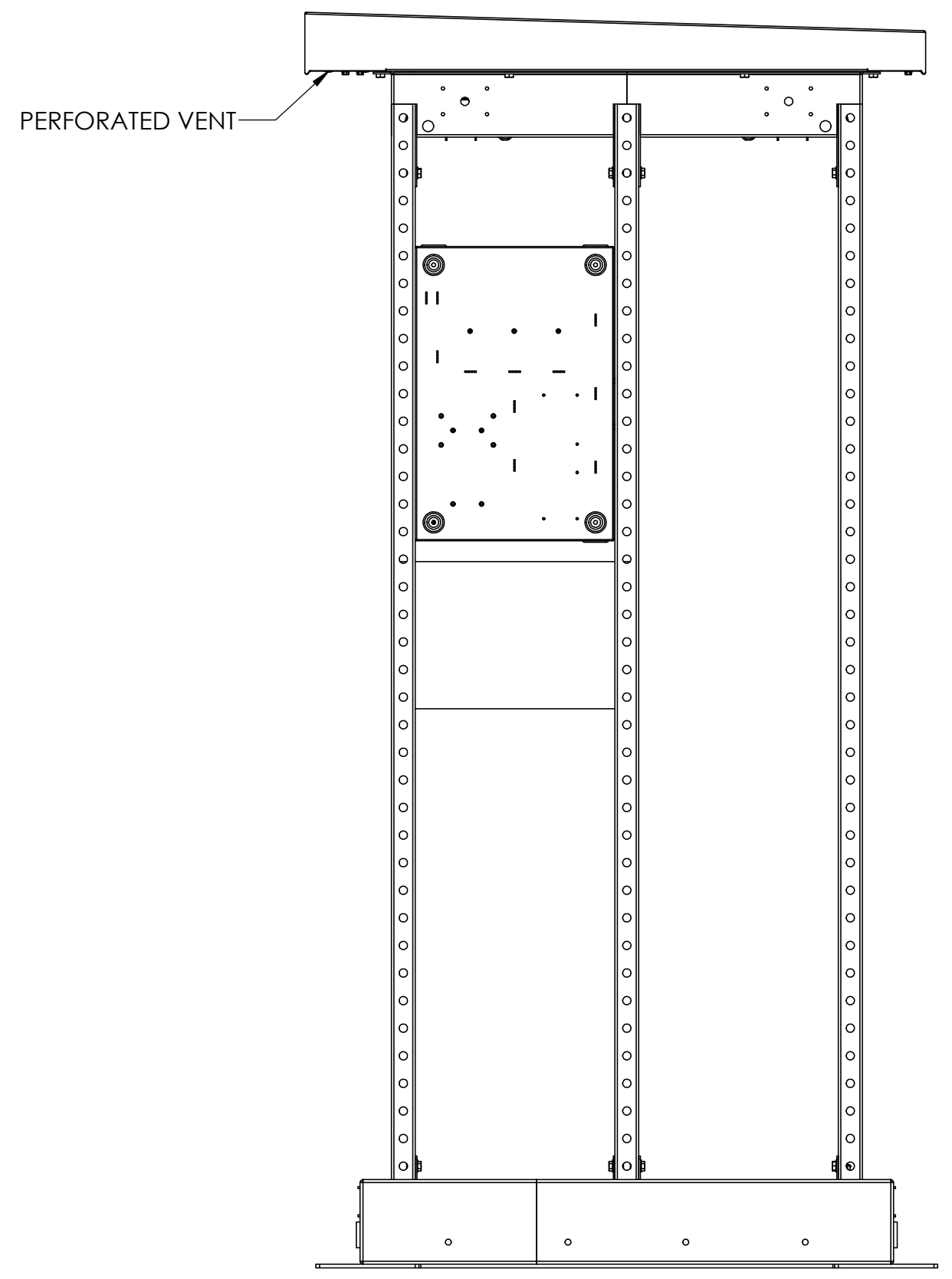
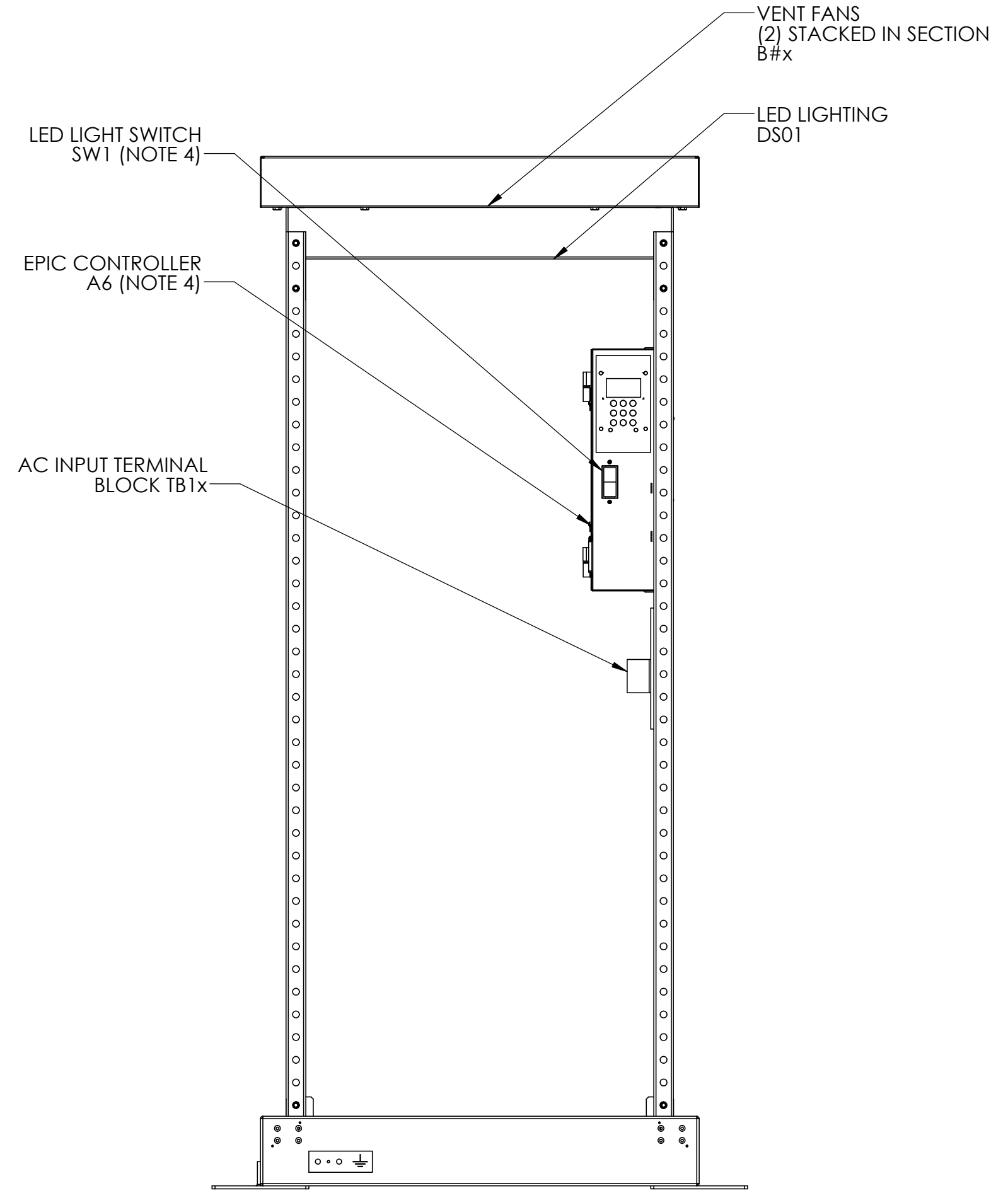
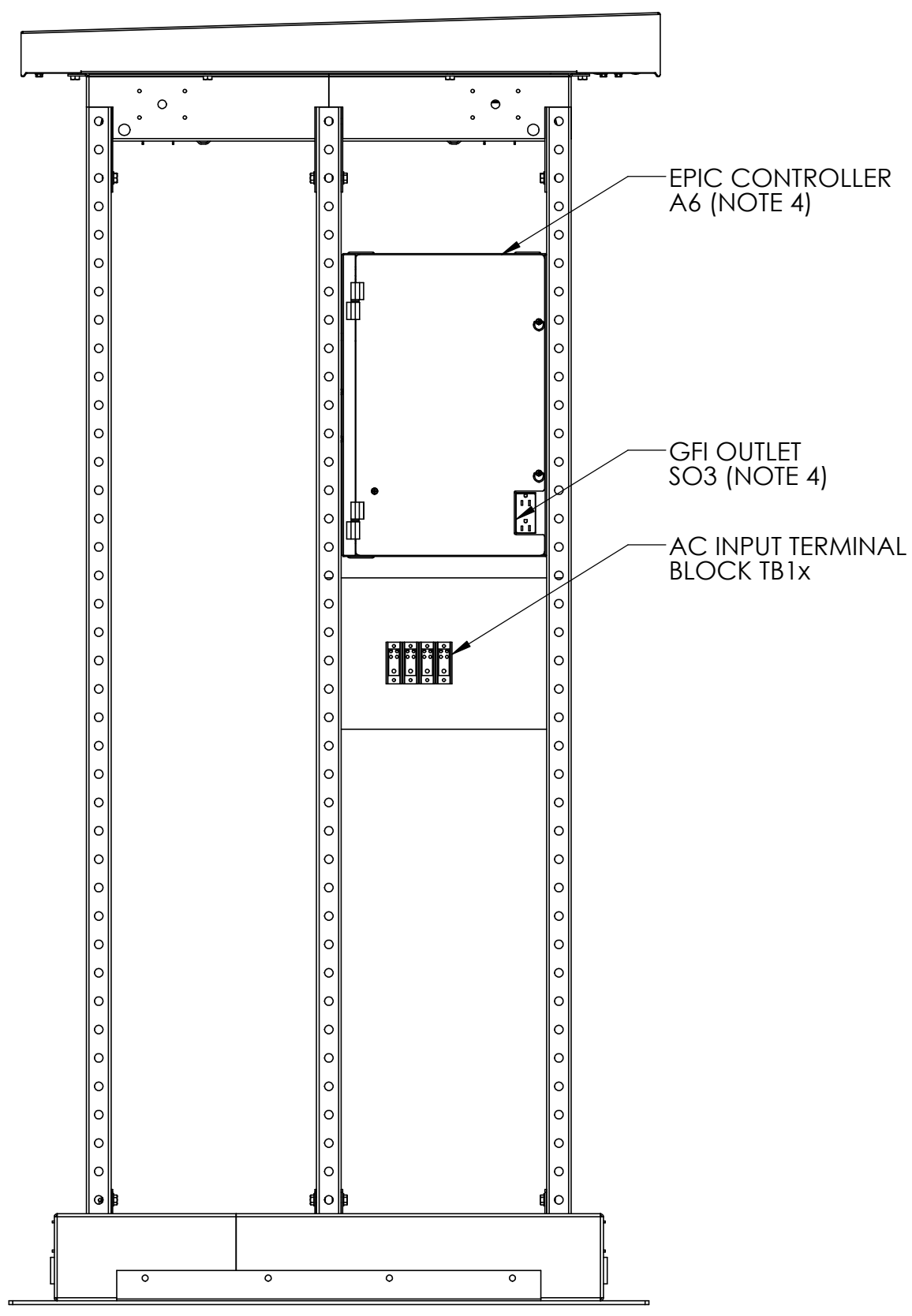


DESIGN NOTES:

- ENCLOSURE IS A NEMA-3R TYPE CABINET WITH GASKETING AND FOAM INJECTED PANELING. FINISH IS ANSI 61 GREY POWDERCOAT.
- HINGES MADE OF STAINLESS STEEL GRADE 316
- CONDUIT ENTRY PROVIDED THROUGH SIDE PANEL 10.5in BY 14in GLAND PLATE AVAILABLE FOR KNOCKOUT. SEE FOUNDATION DRAWINGS (JE5276-01) FOR KNOCKOUT LOCATIONS. CONDUIT ACCESS ALSO AVAILABLE FROM UNDERNEATH CABINET.
- LOCATE UNIT ONTO A PERMANENT, FLAT, AND LEVELED SURFACE, PREFERABLY CONCRETE OR OTHER FIREPROOF MATERIAL. SURFACE MUST BE CAPABLE OF SUPPORTING WEIGHT OF COMPLETE SYSTEM AND INSTALLED COMPONENTS. SEE FOUNDATION DRAWING (JE5276-01) FOR LOADING INFORMATION.
- VENTILATION AND THERMAL MANAGEMENT OF BATTERIES PER IEEE 1635. SEISMIC CERTIFICATION PER IEEE 693.
- THE WEIGHT OF THE CONSOLE WITHOUT BATTERIES IS 5211lb [236kg]
- FOR LIFTING, USE OPTIONAL STRAPPING SYSTEM SEE E15196-01.

C:\Hindle Vault\Custom Drawings\CONSOLES 2.12.1.1 SEC

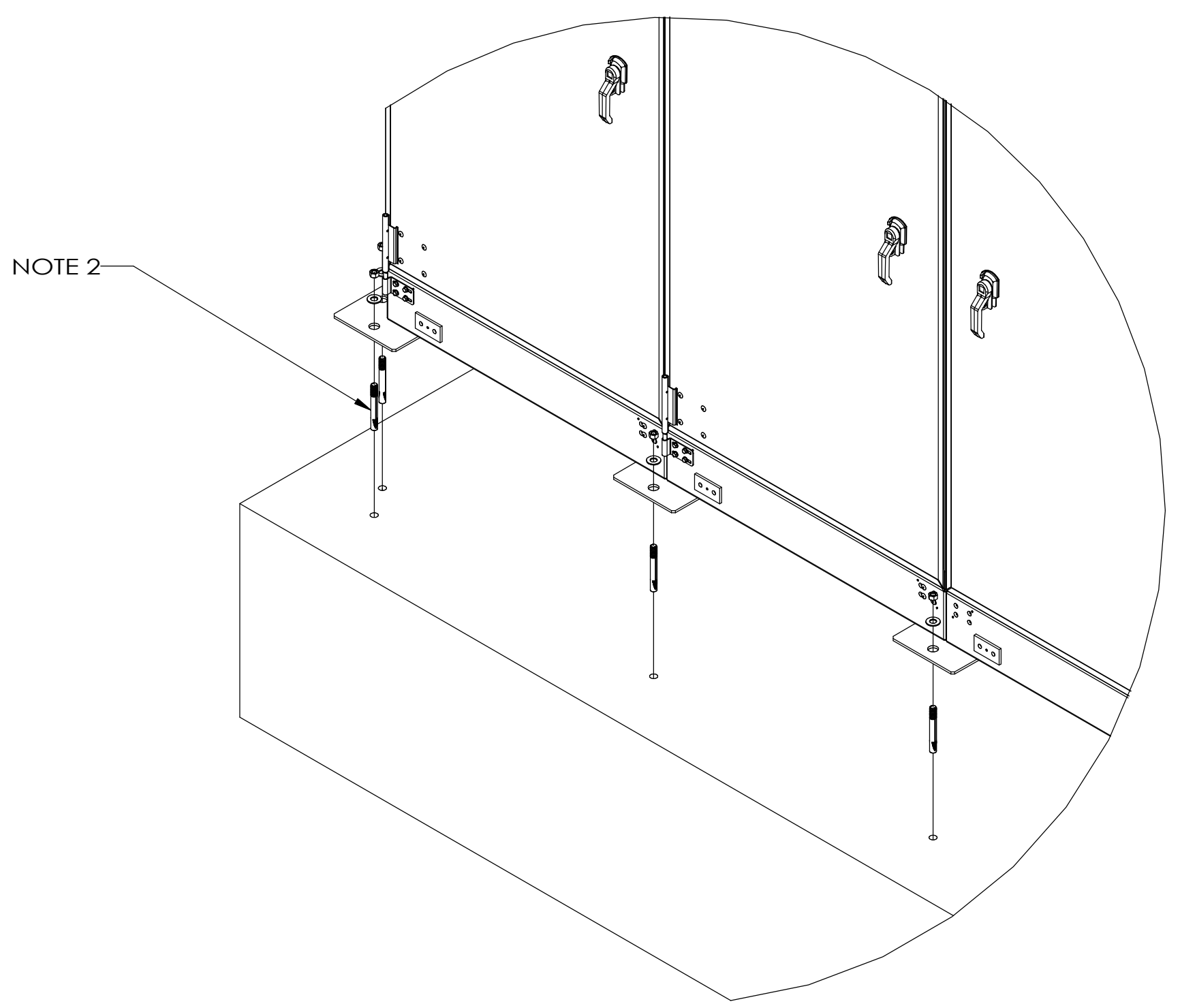
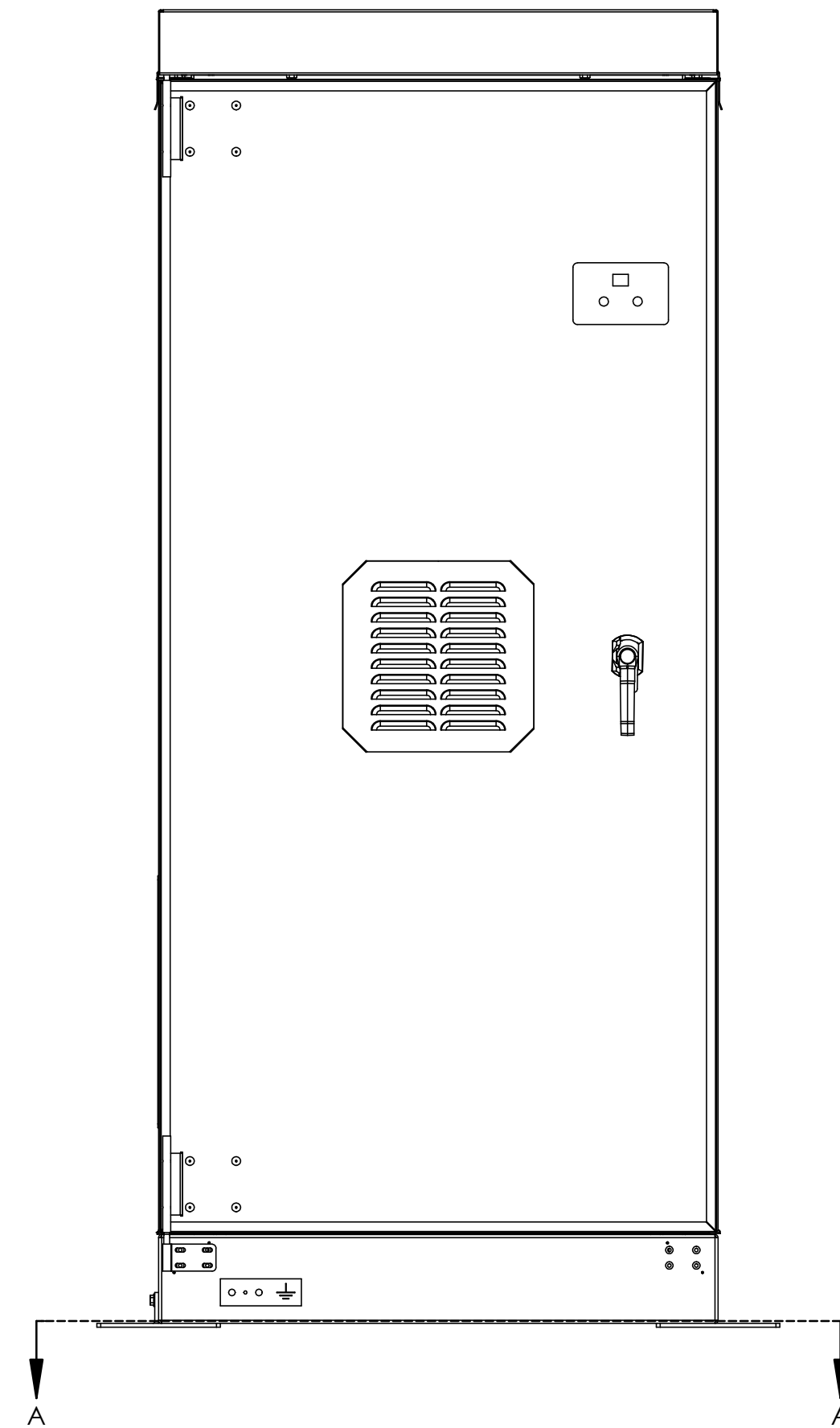
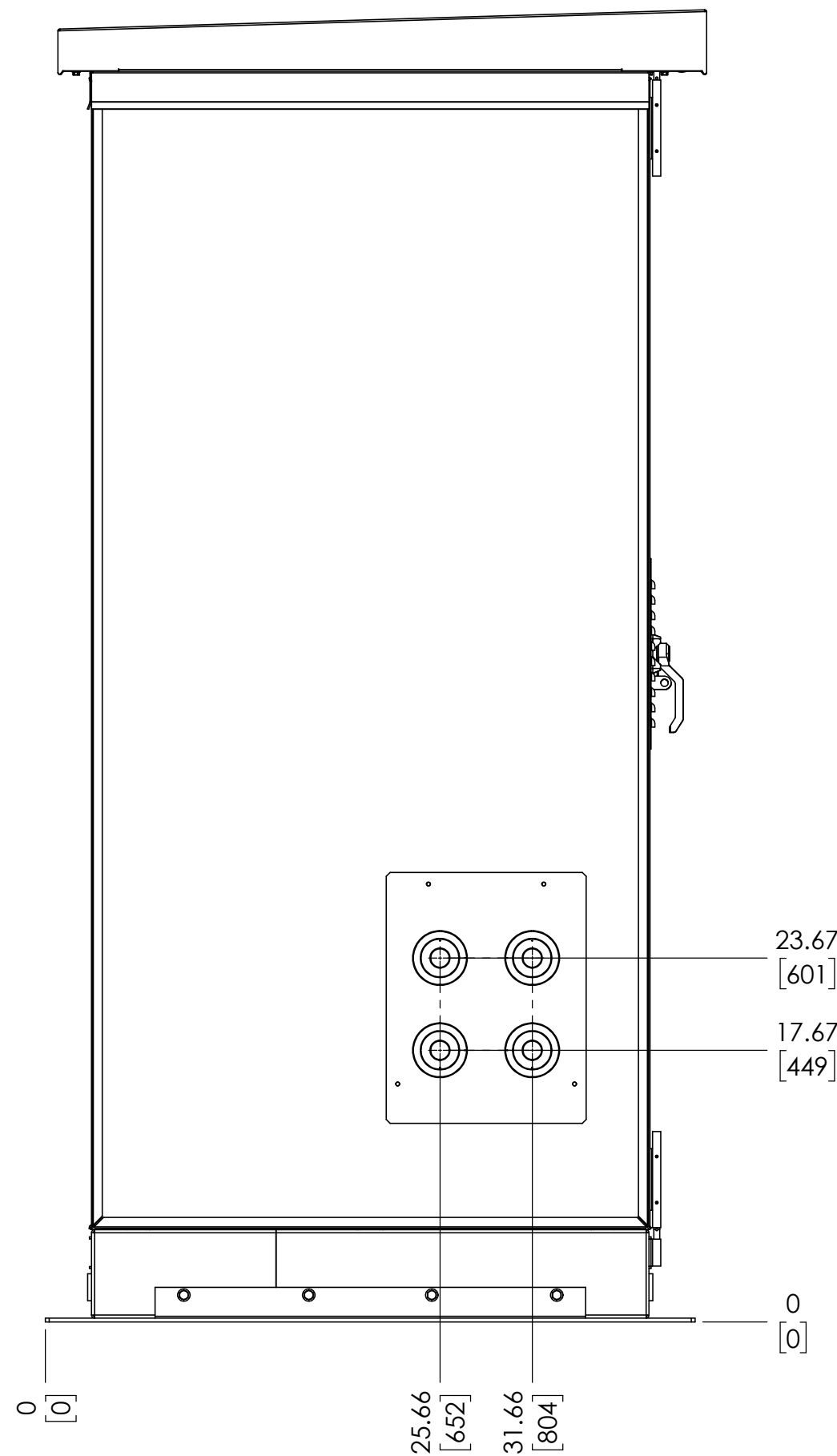
REV	DRN	CHK	APP	DATE	DRN	DATE	
A							
DESCRIPTION				CHK BY		DATE	
Initial Release							
PROPERTY AND CONFIDENTIAL NOTICE				APP BY		DATE	
ANY REPRODUCTION, PARTIAL OR AS A WHOLE OF THIS DOCUMENT WITHOUT THE WRITTEN PERMISSION OF HINDLE POWER, INC IS STRICTLY PROHIBITED.							
UNLESS OTHERWISE SPECIFIED ALL DIMENSIONS FOLLOW THE ANSI Y14.5M				TITLE		HINDLEPOWER	
TOLERANCES ARE: DIM: 1/16" DEC: 2 5/16" ANG: 2 5/16"				EPIC SERIES 2.0 CONSOLE		SALES ORDER No. N/A	
SCALE				DWG No		REV	
D 1:10				JES269-01		A 1 OF 3	



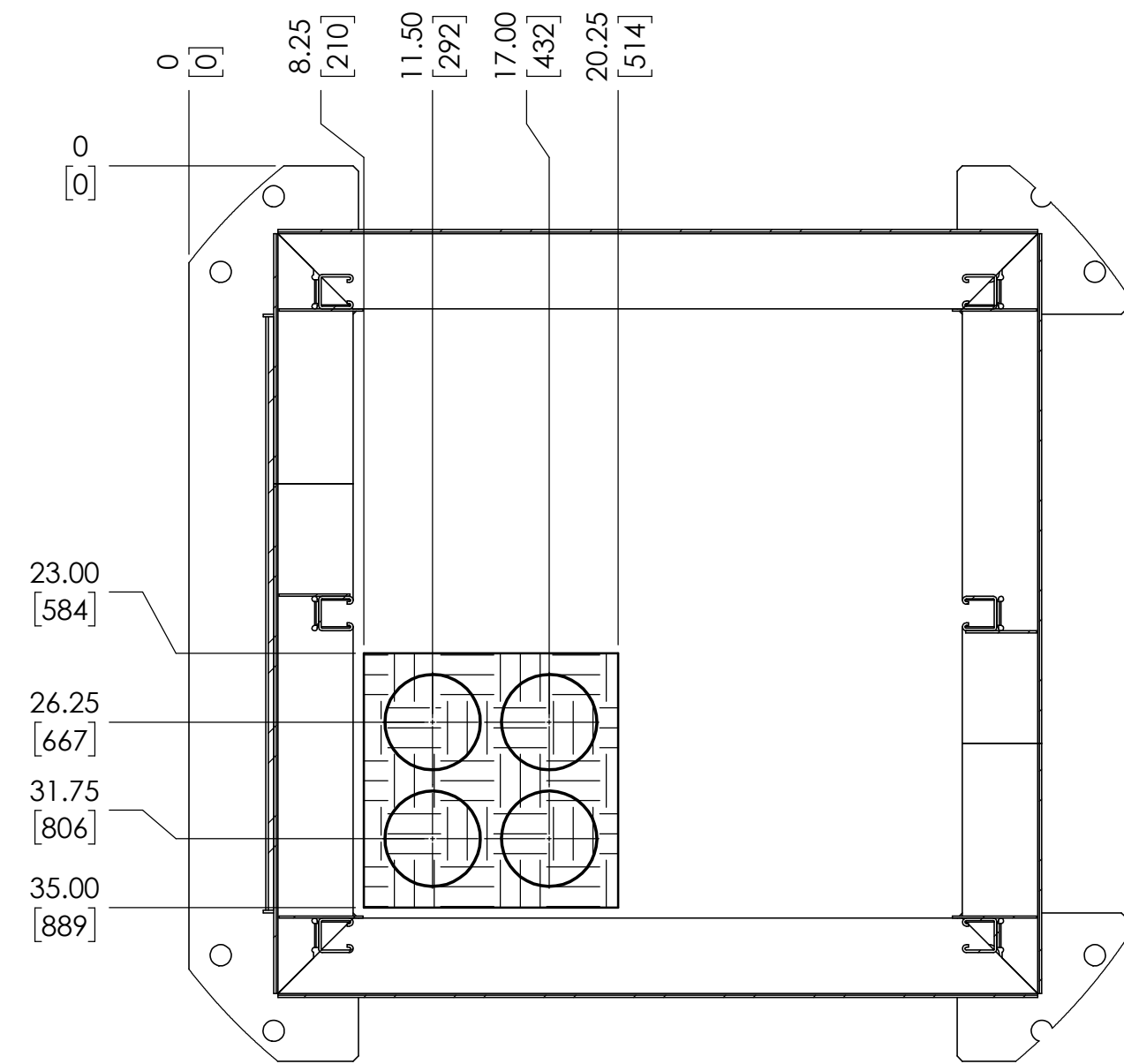
- TO PROVIDE A CLEAR VIEW OF THE CONSOLE INTERNAL COMPONENTS, THE FOLLOWING ITEMS ARE NOT SHOWN:
 - FRONT DOORS W/ EYE WASH
 - REAR PANELS/DOORS
 - LEFT AND RIGHT SIDE PANELS
- DO NOT LIFT, PUSH OR RELOCATE THE EPIC CONSOLE WITH BATTERIES INSTALLED WITHIN ENCLOSURE.
- BATTERY TYPE: REFERENCE (## JARS)
- EPIC CONTROLLER (A6) CONTAINS
 - A4x RELAY BOARDS
 - A5 DISPLAY BOARD
 - A12 POWER SUPPLY
 - CB# CIRCUIT BREAKERS
 - E1+- POWER SUPPLY CONNECTION POINTS
 - ENV/G NEUTRAL/ GROUND CONNECTION POINTS
 - K2 HEATER SOLID STATE RELAY (OPTIONAL)
 - SO3 GFI OUTLET
 - SW1 LIGHT SWITCH

C:\Hindle Vault\Custom Drawings\CONSOLES 2.12.11 SEC

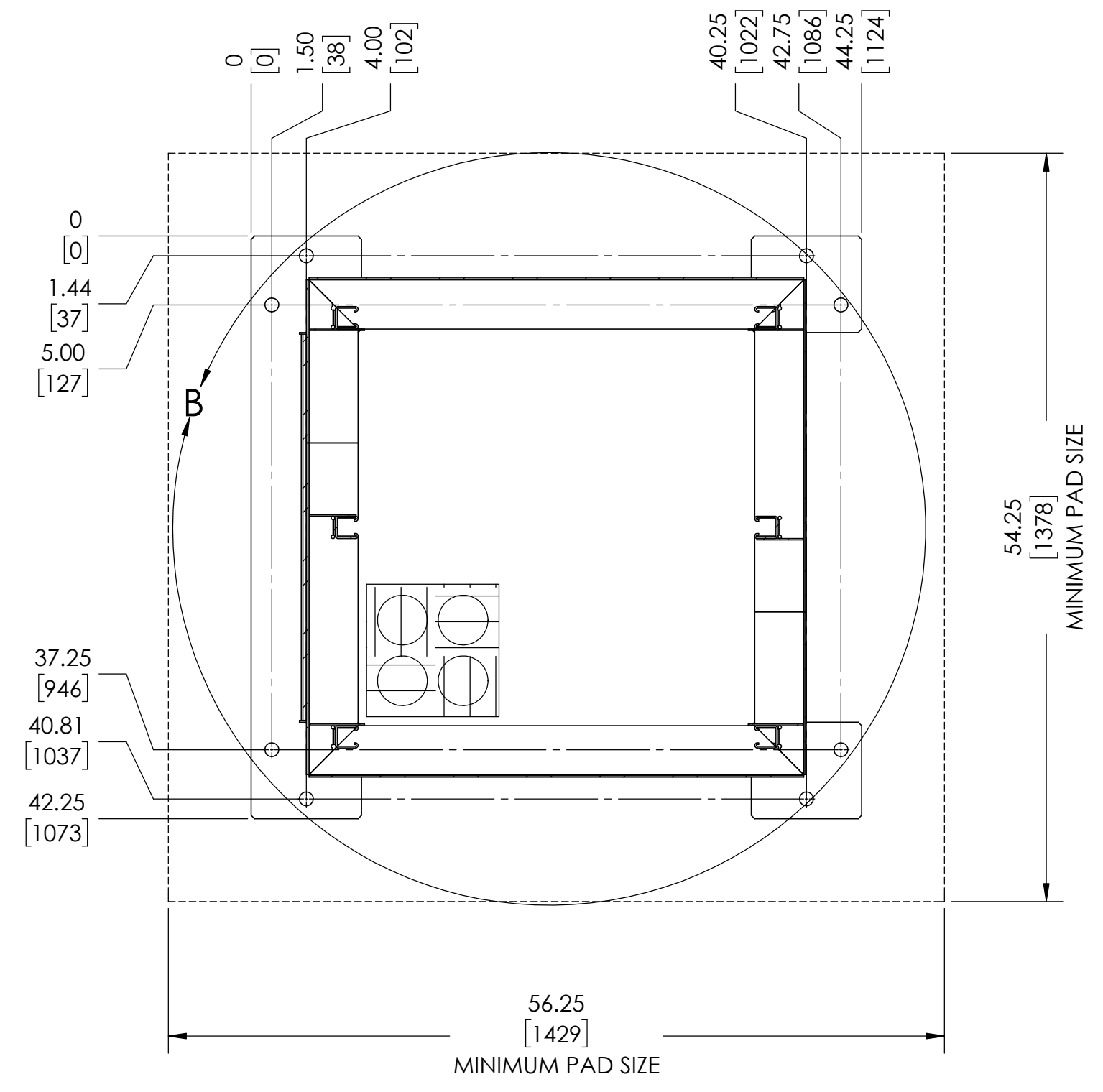
REV	DRN BY	CHK BY	APP BY	DATE	DRN BY	DATE	
A							
DESCRIPTION				CHK BY		DATE	
Initial Release							
APP BY				DATE		TITLE	
						EPIC SERIES 2.0 CONSOLE	
						INTERNAL LAYOUT: 0 ELEC. / 1 BATT.	
						SALES ORDER No. N/A	
PROPERTY AND CONFIDENTIAL NOTICE				SCALE		DWG No.	
ANY REPRODUCTION, PARTIAL OR AS A WHOLE OF THIS DOCUMENT WITHOUT THE WRITTEN PERMISSION OF HINDLE POWER, INC IS STRICTLY PROHIBITED.				D 1:10		JES270-01	
				REV		SHEET	
				A		2 OF 3	



STUB-UP LOCATIONS
DETAIL B
SCALE 1 : 8

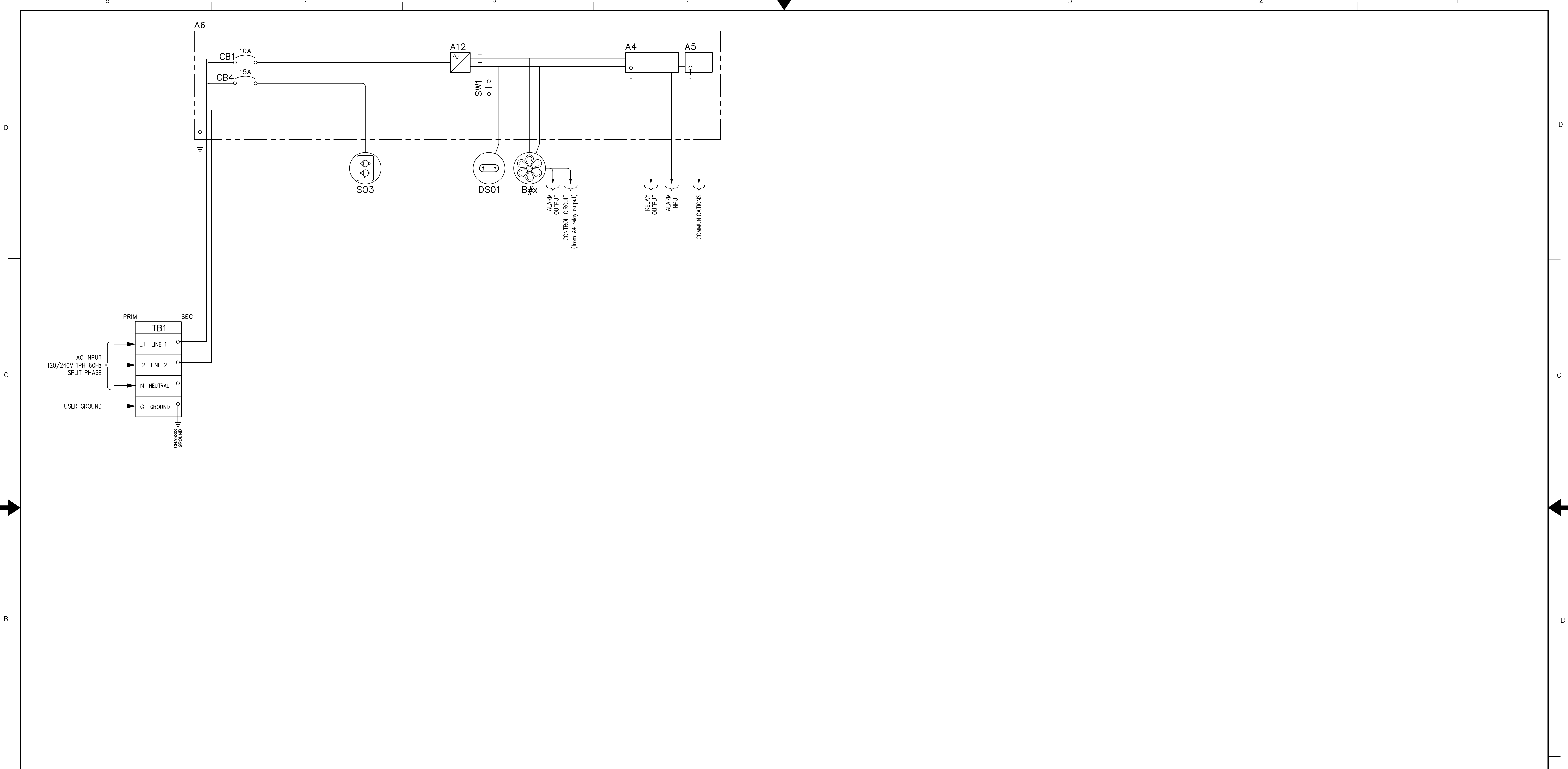


A-A
MOUNTING DIMENSIONS



- NOTES:
1. MOUNTING DIMENSIONS SHOWN ON DRAWING ARE FINAL. WE RECOMMEND PLACING CONSOLE THEN DRILLING FOR MOUNTING ANCHORS.
 2. ANCHOR BOLTS ARE TO BE HILTI M12 HDA-TR STAINLESS STEEL UNDERCUT (OR EQUIVALENT). HOLE DEPTH TO BE MINIMUM OF 5.3" [135mm], PAD DEPTH TO BE MINIMUM OF 8.0" [203mm]
 3. CONCRETE PAD TO EXTEND A MINIMUM OF 6" [153mm] FROM EDGE OF CABINET ON ALL SIDES. SEE MOUNTING DIMENSIONS BELOW. THE WEIGHT OF THE CONSOLE WITH BATTERIES (SPECIFIED IN PURCHASE ORDER) IS 497lb [225kg]
 4. CONCRETE PAD TO BE 4000 psi OR GREATER.
 5. ELECTRICAL CONDUIT MAY ENTER FROM UNDERNEATH CABINET, BUT ONLY THROUGH STUB-UP LOCATIONS SHOWN IN DETAIL B.
 6. CONDUIT ENTRY PROVIDED THROUGH SIDE PANEL 10.5in BY 14in GLAND PLATE AVAILABLE FOR KNOCKOUT. KNOCKOUTS MAY NOT BE VISIBLE, USE DIMENSIONS TO VERIFY BREAKAWAY POINTS.

REV DRN BY CHK BY APP BY DATE		DRN BY DATE		C:\Hindle Vault\Custom Drawings\CONSOLES 2.12.11.1 SEC	
A		Initial Release		HINDLEPOWER	
DESCRIPTION		CHK BY DATE		TITLE	
Initial Release		APP BY DATE		EPIC SERIES 2.0 CONSOLE FOUNDATION DRAWINGS SALES ORDER No. N/A	
PROPERTY AND CONFIDENTIAL NOTICE		UNLESS OTHERWISE SPECIFIED ALL DIMENSIONS FOLLOW THE INCH-POUNDS & SECONDS TOLERANCES ARE: FRACTIONAL DEC: ± 0.125; ANG: ± 2°		SCALE DWG No. REV SHEET	
ANY REPRODUCTION, PARTIAL OR AS A WHOLE OF THIS DOCUMENT WITHOUT THE WRITTEN PERMISSION OF HINDLE POWER, INC IS STRICTLY PROHIBITED.		D		1:10 JES276-01 A 3 OF 3	



EPIC SERIES COMPONENTS

SYMBOL	DESCRIPTION
A1	HYDROGEN DETECTOR
A4	HINDLE HEALTH CONTROLLER
A5	HINDLE HEALTH DISPLAY
A6	EPIC CONTROLLER
A12	12VDC POWER SUPPLY
ACP	AC PANELBOARD
Bx	VENT FANS
CB1	CIRCUIT BREAKER FOR A12 P/S
CB4	CIRCUIT BREAKER FOR GFI OUTLET
DCP	DC PANELBOARD
DS01	CONSOLE LED LIGHTS
DS02	RED LED
DS03	GREEN LED
S03	15A GFI OUTLET
SW1	CONSOLE LED LIGHT SWITCH(ES)
TB1	AC INPUT TERMINAL BLOCK

LEGEND FOR EPIC LINE

SYMBOL	DESCRIPTION
○	DEVICE TERMINAL
◊	TERMINAL BLOCK POINT IN TRANSFORMER
◆	TERMINAL BLOCK POINT FOR SCADA
◇	TERMINAL BLOCK POINT FOR COMMUNICATIONS
◈	TERMINAL BLOCK POINT IN POWER CIRCUIT BREAKER
▲	TERMINAL IN A.C. OR D.C. PANELBOARD
—	SHIPPED WITH WIRING INSTALLED
- - -	WIRING TO BE INSTALLED

I/O TERMINAL	DESCRIPTION - TYPE	CONNECTION
TB1 PRIM	L1, L2, AC INPUT / USER NTRL, GND TERMINALS - CU-ALUMINUM COMP LUG	(1) 2/0-#14 AWG
TB1 SEC	LINE 1, LINE 2 AC INPUT / USER NTRL, GND TERMINALS - CU-ALUMINUM COMP LUG	(4) #4-#14 AWG

REV. DRN BY: CMF	CHK BY: RCF	DATE: 10/18/2021	DRN BY: KJB	DATE: 10/18/2021		1075 Saint John Street Easton, PA 18042-6661 PH 610-330-8000 FAX 610-330-8009 www.hindlepowerinc.com	
DESCRIPTION: STANDARD DRAWINGS.	APP. BY: RCF	DATE: 10/18/2021	FILE: EPIC SERIES 2.0 CONSOLE	SCHEMATIC: N/A		SALES ORDER NO. N/A	
PROPERTY AND CONFIDENTIAL NOTICE						SCALE: D	EDWG NO: JE5271-0X
ANY REPRODUCTION PARTIAL OR AS A WHOLE OF THIS DOCUMENT WITHOUT THE WRITTEN PERMISSION OF HINDLE POWER, INC. IS STRICTLY PROHIBITED.						REV: 0	SHEET: 1 OF 1