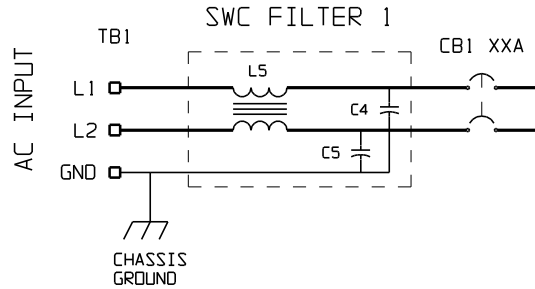


SCHEMATIC:  
1PH AC SWC FILTER

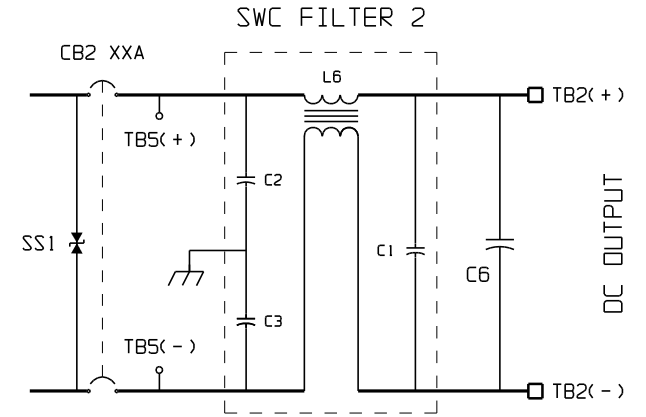
1PH AC SWC FILTER  
COMPONENTS:  
C4  
C5  
L5



OTHER COMPONENTS  
PART OF CHARGER  
MAINFRAME

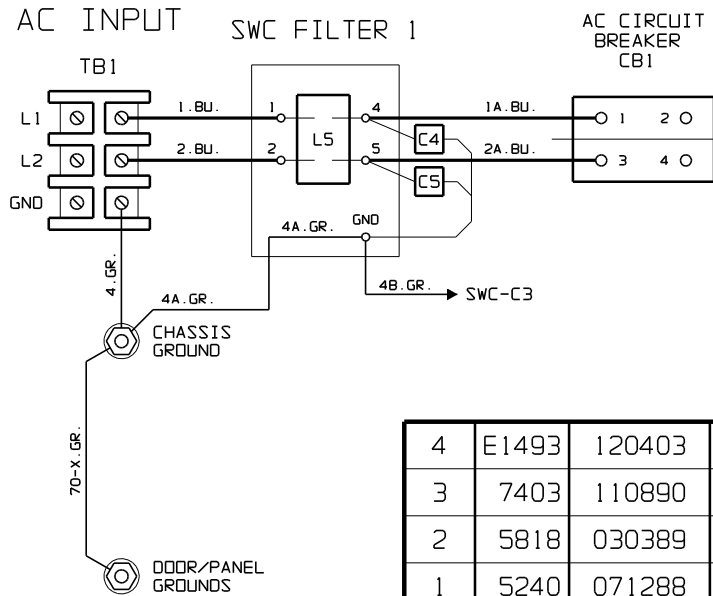
SCHEMATIC:  
DC SWC FILTER

DC SWC FILTER  
COMPONENTS:  
C1  
C2  
C3  
L6

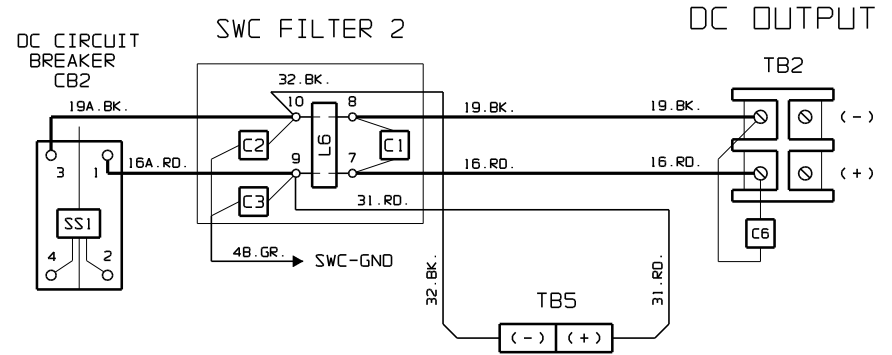


OTHER COMPONENTS  
PART OF CHARGER  
MAINFRAME

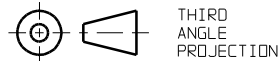
CONNECTION DIAGRAM:  
1PH AC SWC FILTER



CONNECTION DIAGRAM:  
DC SWC FILTER



4	E1493	120403	
3	7403	110890	WKB
2	5818	030389	MCT
1	5240	071288	WAH
0	1868	073089	TPP
REV	ECN No	DATE	APP



THIRD  
ANGLE  
PROJECTION

DRAWN BY MCR 120403

APPROVED

UNLESS OTHERWISE NOTED DIMENSIONS  
ARE IN INCHES. TOLERANCES ARE:

TITLE SCR/SCRF SERIES BATTERY CHARGER  
SWC FILTER OPTION - SINGLE PHASE INPUT

DRAWING No JE0121-00 REV 4 A

SCALE NTS PART No JE0121-00 SHEET 1 OF 1