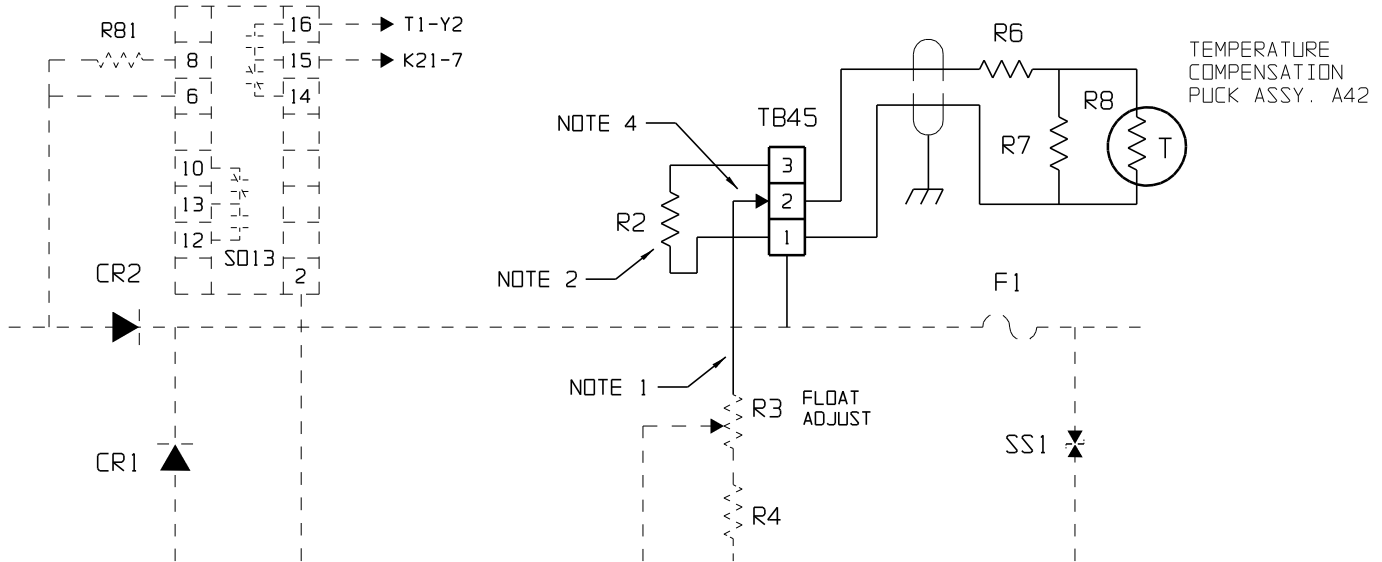
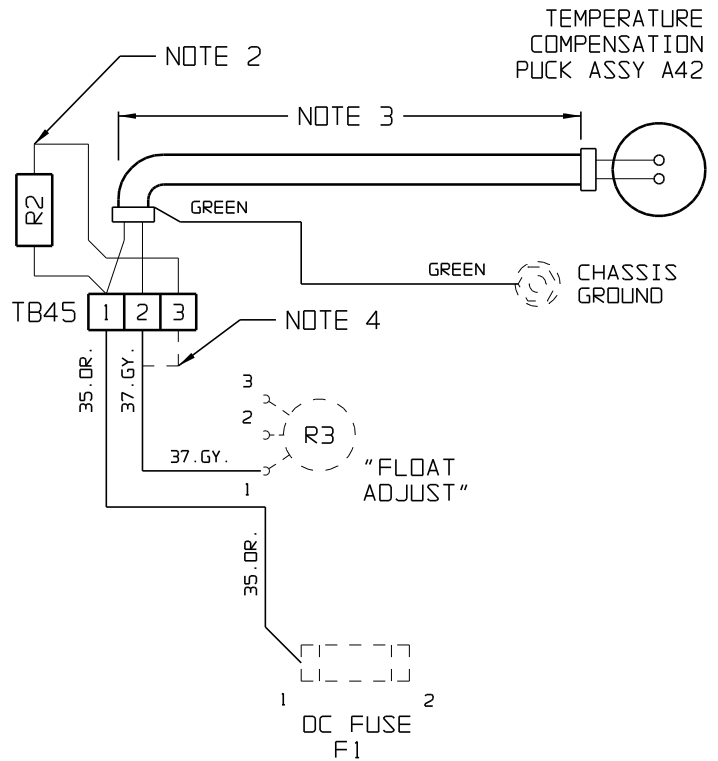


HIGH DC VOLTAGE  
DETECTOR PC  
BOARD ASSY. A13

SCHMATIC:



WIRING DIAGRAM:



NOTES:

- 1) THIS NETWORK REPLACES R2 IN THE SCR/SCRF SERIES FEEDBACK VOLTAGE DIVIDER, CHARGER MAINFRAME COMPONENTS SHOWN DASHED FOR REFERENCE PURPOSES
- 2) LUG VOLTAGE DIVIDER RESISTOR (R2) AND PLACE ACROSS TB45-1 TO TB45-3
- 3) POLARITY OF TEMPCO PROBE CABLE CONNECTION AT TB45 IS NOT RELEVANT, CABLE LENGTH DETERMINED BY PART NUMBER (e.g. -00, -01, etc.)
- 4) TO DISABLE TEMPCO, MOVE TB45-2 CONNECTION (WIRE# 37.GY) TO TB45-3
- 5) ADD CUSTOMER INSTRUCTIONS JA5022-00 TO EJ1398-XX TEMPCO PROBE KIT
- 6) SEE SHEET 2 OF 2 FOR:
  - PART NUMBER LENGTHS
  - NOMINAL RESISTOR VALUES
  - OUTPUT DATA GRAPHS

4	20665	041907		 THIRD ANGLE PROJECTION			TITLE SCHEMATIC / CONN DIAGRAM: SCR/SCRF SERIES EXTERNAL TEMPERATURE COMPENSATION PROBE (PB)		
3	20081	013106	MCT						
2	E1193	032703	MCT	DRAWN BY	MCR	021601	DRAWING No		REV 4 <b>A</b>
1	E0357	022201	<i>OK</i>	APPROVED	<i>OK</i>	022201	EJ1398-XX		
0	N/A	050499	N/A	UNLESS OTHERWISE NOTED DIMENSIONS ARE IN INCHES. TOLERANCES ARE:			SCALE NTS		SHEET 1 OF 2
REV	ECN No	DATE	APP			PART No	EJ1398-XX	FILENAME [EJ1398-XX.PRT]	

EJ1398-XX PART NUMBER MATRIX

No.	BATT TYPE	LENGTH	OUTPUT
-00	LEAD-ACID	25' -0"	12VDC
-01	LEAD-ACID	25' -0"	24VDC
-02	LEAD-ACID	25' -0"	48VDC
-03	LEAD-ACID	25' -0"	130VDC
-04	LEAD-ACID	25' -0"	260VDC
-05	LEAD-ACID	50' -0"	12VDC
-06	LEAD-ACID	50' -0"	24VDC
-07	LEAD-ACID	50' -0"	48VDC
-08	LEAD-ACID	50' -0"	130VDC
-09	LEAD-ACID	50' -0"	260VDC
-10	LEAD-ACID	200' -0"	12VDC
-11	LEAD-ACID	200' -0"	24VDC
-12	LEAD-ACID	200' -0"	48VDC
-13	LEAD-ACID	200' -0"	130VDC
-14	LEAD-ACID	200' -0"	260VDC
-15	LEAD-ACID	100' -0"	12VDC
-16	LEAD-ACID	100' -0"	24VDC
-17	LEAD-ACID	100' -0"	48VDC
-18	LEAD-ACID	100' -0"	130VDC
-19	LEAD-ACID	100' -0"	260VDC

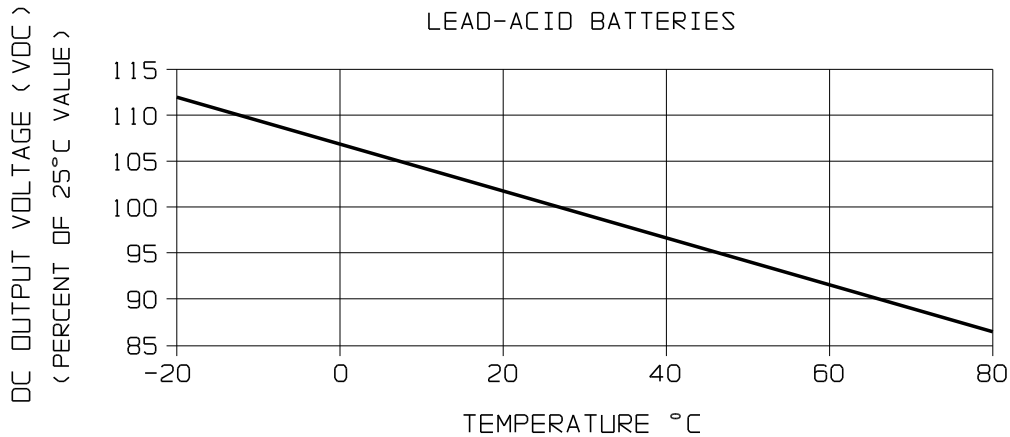
NOTES:

- 1) AVERAGE TEMPERATURE COEFICIENT:  
 -2.5 mV/V/°C  
 (-3.3 mV/CELL/°F @ 2.4 VPC)

NOMINAL COMPONENT VALUES

OUTPUT (VDC)	R6	R7	R8 (25°C)
12	8.7 K	11.3 K	10.0 K
24	39.2 K	22.6 K	30.0 K
48	100.0 K	40.2 K	100.0 K
130	301.0 K	110.0 K	100.0 K
260	634.0 K	200.0 K	200.0 K

OUTPUT VOLTAGE vs TEMPERATURE (TYP)  
 LEAD-ACID BATTERIES



THIRD ANGLE PROJECTION		TITLE ASSEMBLY DATA: SCR/SCRF SERIES EXTERNAL TEMPERATURE COMPENSATION PROBE (PB)	
DRAWN BY MCR APPROVED <i>[Signature]</i>	021601 022201	DRAWING No <b>EJ1398-XX</b>	REV 4 <b>A</b>
UNLESS OTHERWISE NOTED DIMENSIONS ARE IN INCHES. TOLERANCES ARE:		SCALE NTS PART No EJ1398-XX	SHEET 2 OF 2