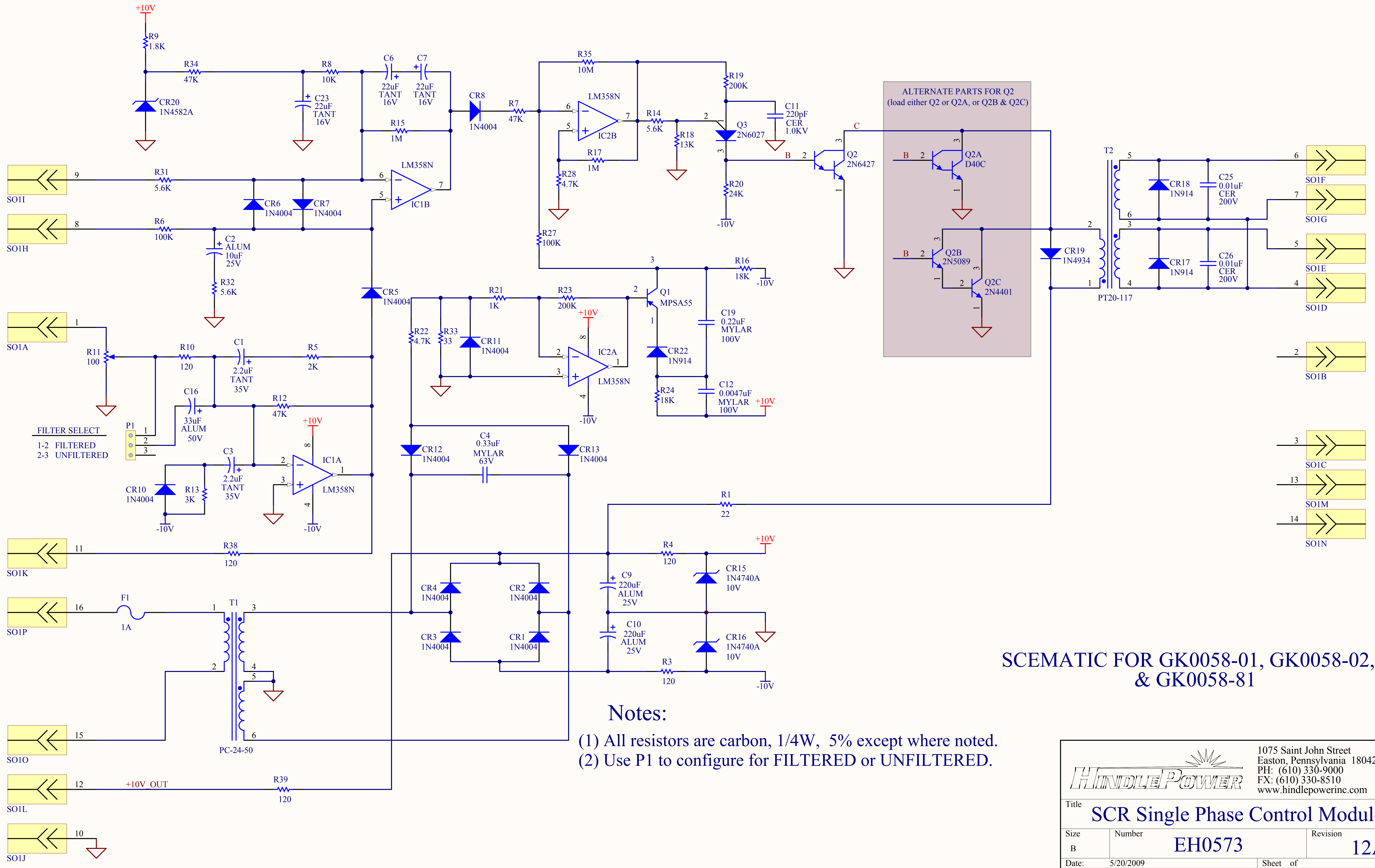


**COMPOSITE SCHEMATIC FOR GK0058-01, GK0058-02, GK0058-07, GK0058-09, GK0058-10, GK0058-11, GK0058-12 & GK0058-81**

- Notes:**
- (1) All resistors are carbon, 1/4W, 5% except where noted.
  - (2) Use P1 to configure for FILTERED or UNFILTERED.
  - (3) C1 is 10uF and R5 is 12K on GK0058-07.
  - (4) R40 is only loaded on GK0058-10.
  - (5) R11A is only loaded on GK0058-09.
  - (6) C30, C31 only loaded on GK0058-11, GK0058-12.
  - (7) R32 is 10K, R3 & R4 are 560 on GK0058-11, GK0058-12.
  - (8) T1 and F1 replaced with jumpers on GK0058-11, GK0058-12.

		1075 Saint John Street Easton, Pennsylvania 18042-6661 PH: (610) 330-9000 FX: (610) 330-8510 www.hindlepowerinc.com		
		<b>SCR Single Phase Control Module</b>		
Title	EH0573		Revision	12A
Size	Number	Revision		
B				
Date:	5/20/2009	Sheet of		
File:	P:\G\GK0058.rev12.SchDoc	Drawn By:	R. D. Beck	

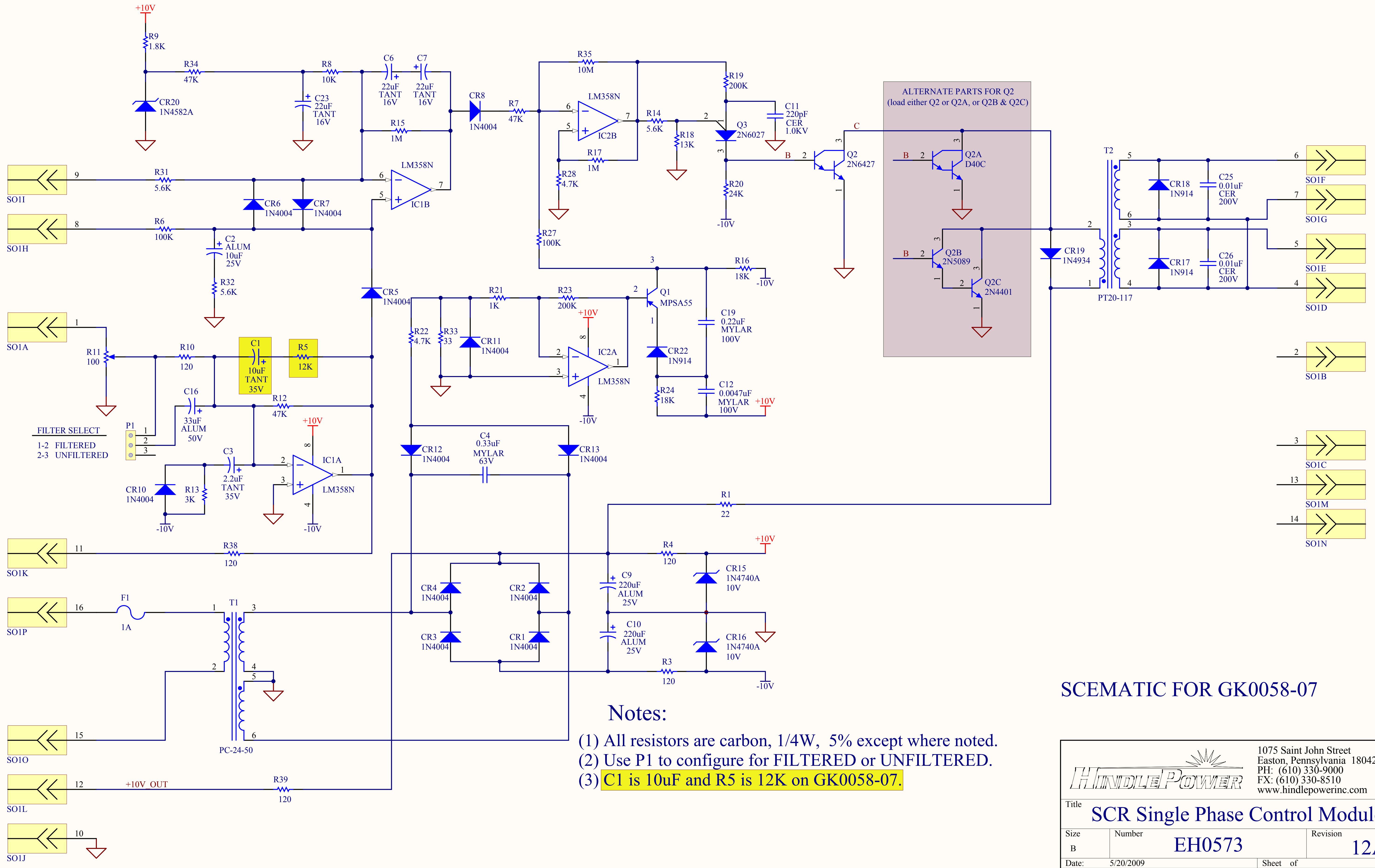


SCHEMATIC FOR GK0058-01, GK0058-02, & GK0058-81

- Notes:**
- (1) All resistors are carbon, 1/4W, 5% except where noted.
  - (2) Use P1 to configure for FILTERED or UNFILTERED.

		1075 Saint John Street Easton, Pennsylvania 18042-6661 PH: (610) 330-9000 FX: (610) 330-8510 www.hindlepowerinc.com	
<b>Title</b> SCR Single Phase Control Module			
Size	Number	Revision	
B	EH0573	12A	
Date:	5/20/2009	Sheet of	
File:	P:\G\GK0058-01-02-81.rev12.SchDoc	Drawn By:	R. D. Beck

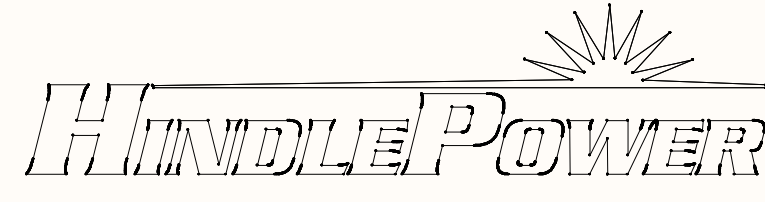


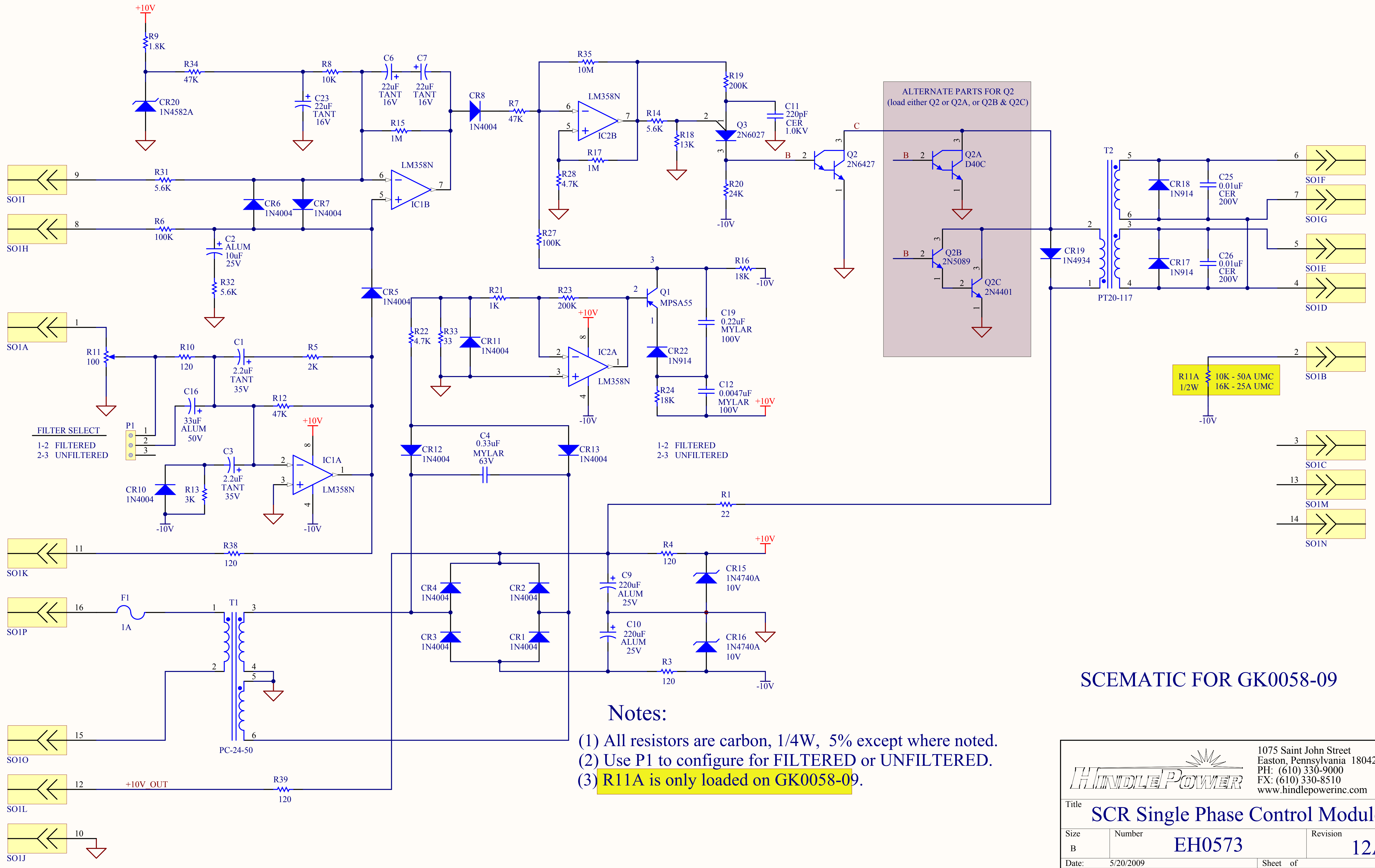


**Notes:**

- (1) All resistors are carbon, 1/4W, 5% except where noted.
- (2) Use P1 to configure for FILTERED or UNFILTERED.
- (3) C1 is 10uF and R5 is 12K on GK0058-07.

**SCEMATIC FOR GK0058-07**

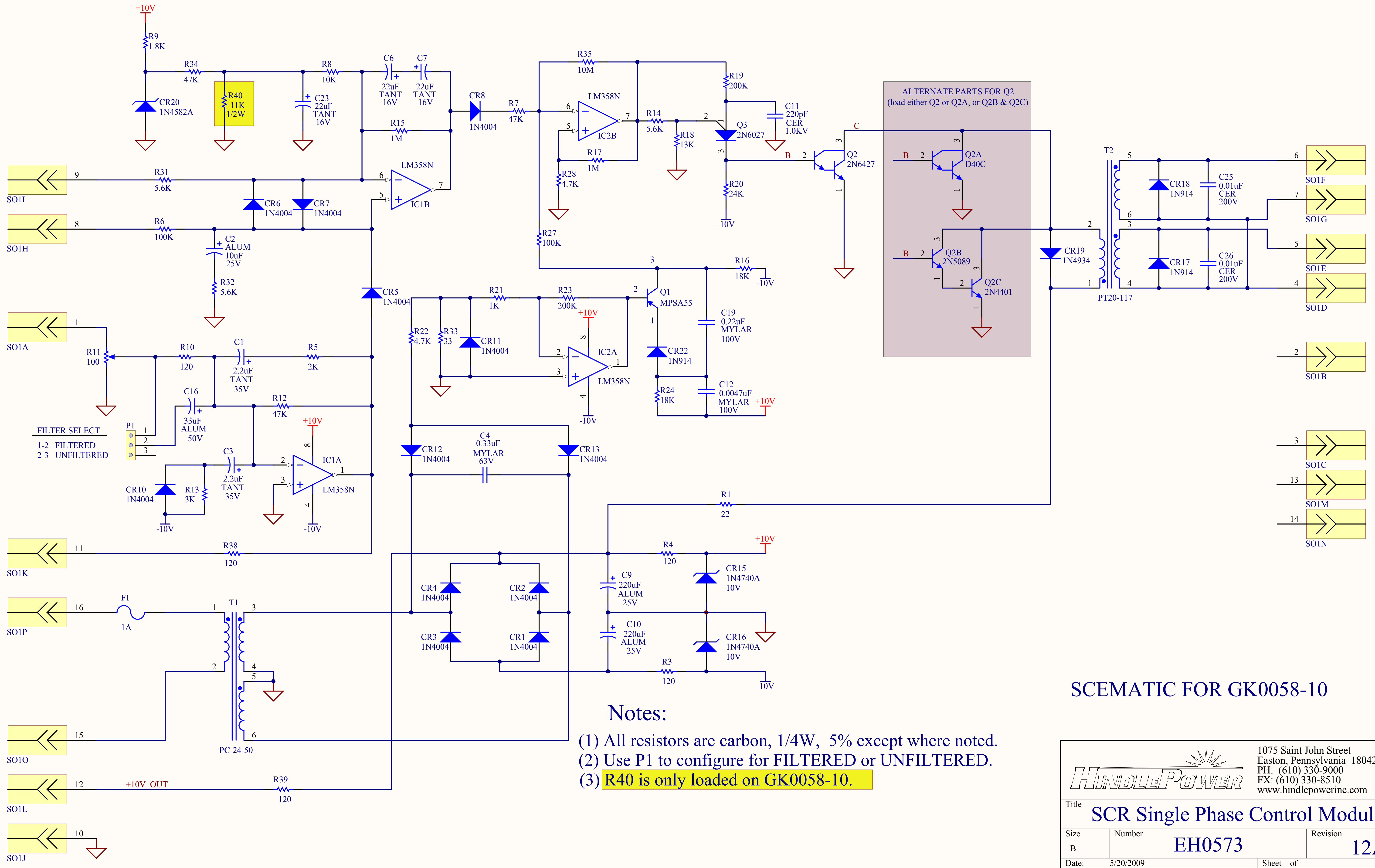
		1075 Saint John Street Easton, Pennsylvania 18042-6661 PH: (610) 330-9000 FX: (610) 330-8510 www.hindlepowerinc.com	
<b>Title</b> SCR Single Phase Control Module			
Size	Number	Revision	
B	EH0573	12A	
Date:	5/20/2009	Sheet of	
File:	P:\G\GK0058-07.rev12.SchDoc	Drawn By:	R. D. Beck



- Notes:**
- (1) All resistors are carbon, 1/4W, 5% except where noted.
  - (2) Use P1 to configure for FILTERED or UNFILTERED.
  - (3) R11A is only loaded on GK0058-09.

**SCHEMATIC FOR GK0058-09**

		1075 Saint John Street Easton, Pennsylvania 18042-6661 PH: (610) 330-9000 FX: (610) 330-8510 www.hindlepowerinc.com	
		<b>Title</b> <b>SCR Single Phase Control Module</b>	
<b>Size</b> B	<b>Number</b> <b>EH0573</b>	<b>Revision</b> <b>12A</b>	
<b>Date:</b> 5/20/2009 <b>File:</b> P:\G\GK0058-09.rev12.SchDoc	<b>Sheet of</b> Drawn By: R. D. Beck		

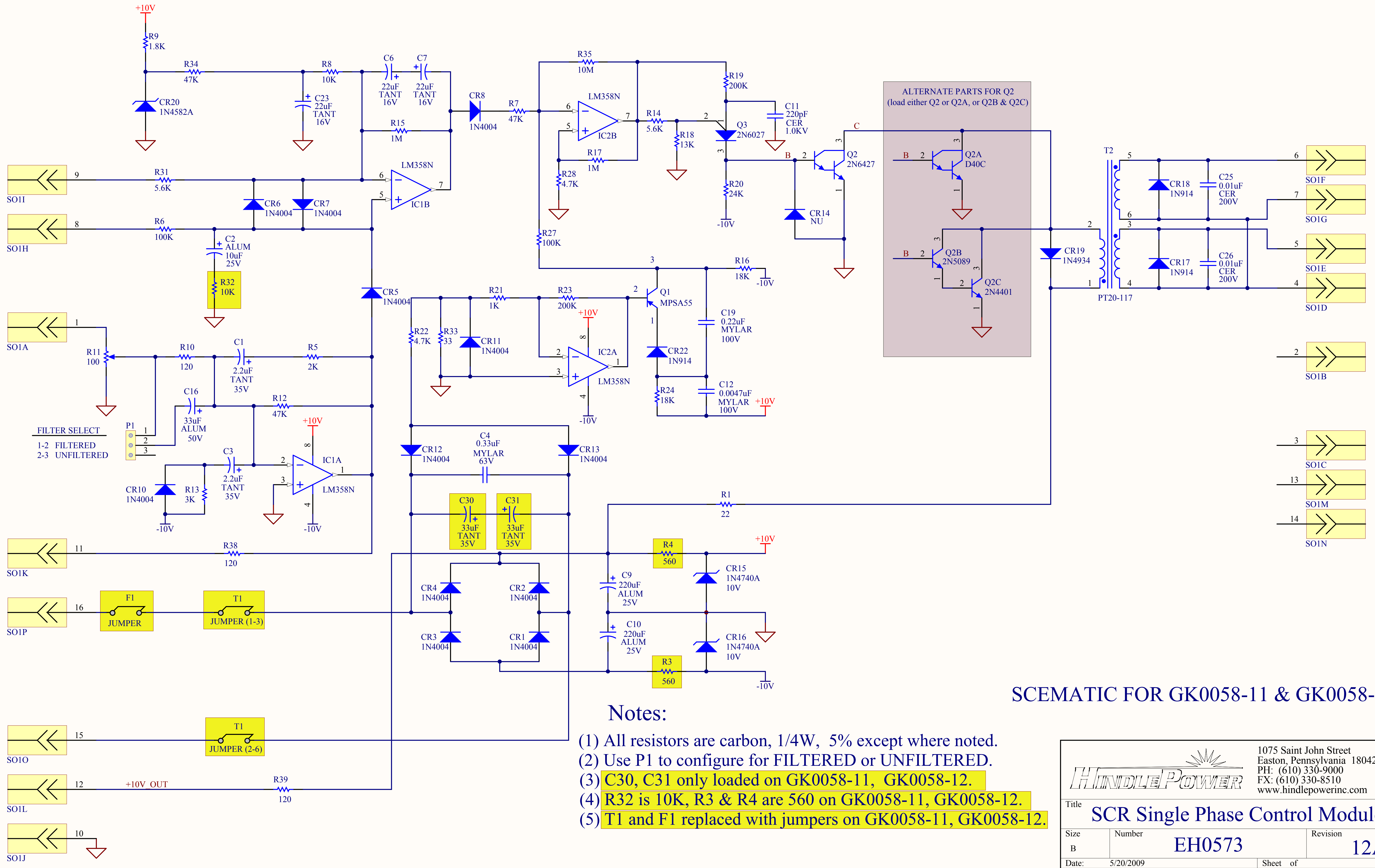


- Notes:**
- (1) All resistors are carbon, 1/4W, 5% except where noted.
  - (2) Use P1 to configure for FILTERED or UNFILTERED.
  - (3) R40 is only loaded on GK0058-10.

**SCHEMATIC FOR GK0058-10**

		1075 Saint John Street Easton, Pennsylvania 18042-6661 PH: (610) 330-9000 FX: (610) 330-8510 www.hindlepowerinc.com	
		<b>Title</b> SCR Single Phase Control Module	
<b>Size</b> B	<b>Number</b> EH0573	<b>Revision</b> 12A	
<b>Date:</b> 5/20/2009 <b>File:</b> P:\G\GK0058-10.rev12.SchDoc	<b>Sheet of</b> Drawn By: R. D. Beck		





SCHEMATIC FOR GK0058-11 & GK0058-12

Notes:

- (1) All resistors are carbon, 1/4W, 5% except where noted.
- (2) Use P1 to configure for FILTERED or UNFILTERED.
- (3) C30, C31 only loaded on GK0058-11, GK0058-12.
- (4) R32 is 10K, R3 & R4 are 560 on GK0058-11, GK0058-12.
- (5) T1 and F1 replaced with jumpers on GK0058-11, GK0058-12.

		1075 Saint John Street Easton, Pennsylvania 18042-6661 PH: (610) 330-9000 FX: (610) 330-8510 www.hindlepowerinc.com	
<b>Title</b> SCR Single Phase Control Module			
Size	Number	Revision	
B	EH0573	12A	
Date:	5/20/2009	Sheet of	
File:	P:\G\GK0058-11-12.rev12.SchDoc	Drawn By:	R. D. Beck