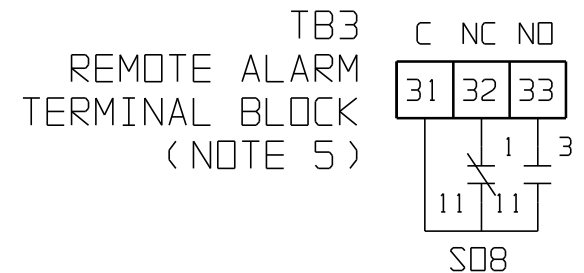


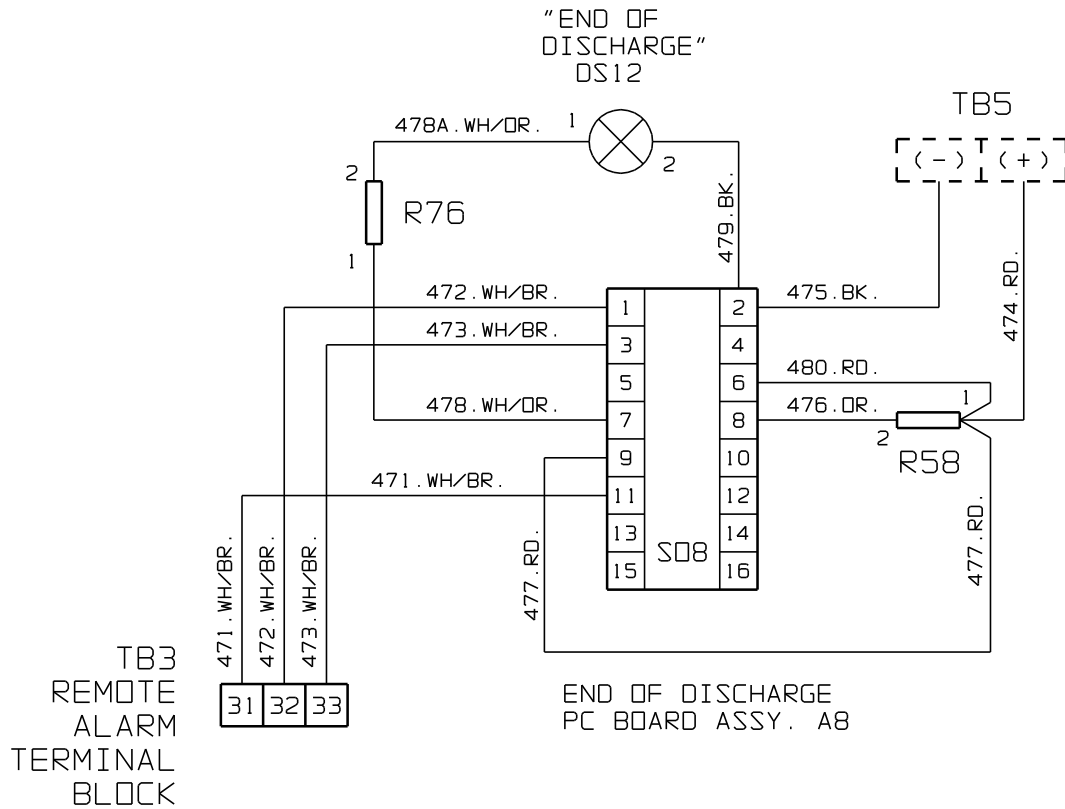
END OF DISCHARGE  
PC BOARD ASSY. A8

NOTES:

- 1) OPTIONS EJO143-01 TO EJO143-07 DO NOT FEATURE THE OPTIONAL INDICATOR LIGHT (DS12). IN THESE OPTIONS, ITEMS DS12, R76 & CONNECTIONS TO S08-7 AND S08-9 ARE NOT UTILIZED.
- 2) R76 USED ONLY ON 48, 130 & 260V CHGRs.
- 3) R58 NOT USED ON 12V CHGRs.
- 4) DO NOT USE END OF DISCHARGE ALARM IN ANY COMMON ALARM CHAIN. ALARM CONTACTS CONNECT SEPARATELY TO TB3 AS STANDARD.
- 5) ADJUST R18 SO THAT ALARM RELAY IS ACTIVATED AT THE BATTERY END OF DISCHARGE VOLTAGE.
- 6) ALL ALARM CONTACTS SHOWN IN NON-ALARM CONDITION. CONTACT RATING: 0.5A 125VAC/DC RESISTIVE.
- 7) TB5 (PART OF CHARGER MAINFRAME) IS AN INTERNAL CONNECTION POINT FOR DC POSITIVE AND NEGATIVE SIGNAL WIRING.

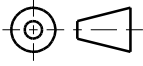


4	E1486	112503		 THIRD ANGLE PROJECTION	TITLE SCHEMATIC: END OF DISCHARGE ALARM W/OPTIONAL INDICATOR LIGHTS		
3B	9448	011793	MCT				
3B	6237	071489	WAH	DRAWN BY MCR	112503	DRAWING No EJO143-XX	
3A	5911	040489	WAH	APPROVED		REV 4	A
2	4920	010588	WAH	UNLESS OTHERWISE NOTED DIMENSIONS ARE IN INCHES. TOLERANCES ARE:			
REV	ECN No	DATE	APP	SCALE NTS		PART No EJO143-XX	SHEET 1 OF 2



WIRE LIST			
No.	CODE	FROM	TO
471	WH/BR	S08-11	TB3-31
472	WH/BR	S08-1	TB3-32
473	WH/BR	S08-3	TB3-33
474	RD	R58-1T	TB5(+)
475	BK	S08-2	TB5(-)
476	DR	S08-8	R58-2B
477	RD	S08-9	R58-1T
478	WH/DR	S08-7	DS12-1
478	WH/DR	S08-7	R76-1T
478A	WH/DR	R76-2B	DS12-1
479	BK	S08-2	DS12-2
480	RD	S08-6	R58-1T

- NOTES:
- 1) OPTIONS EJ0143-01 TO EJ0143-07 DO NOT FEATURE THE OPTIONAL INDICATOR LIGHT (DS12). IN THESE OPTIONS, ITEMS DS12, R76 & WIRE #s 477, 478, 478A & 479 ARE NOT UTILIZED.
  - 2) R76 & WIRE # 478A USED ONLY ON 48, 130 & 260V CHGRs.
  - 3) R58 & WIRE # 476.DR. NOT USED ON 12V CHGRs, BUT PICKET FENCE STILL USED AS CONNECTION POINT FOR WIRE #s 474, 477 & 480.
  - 4) DO NOT USE END OF DISCHARGE ALARM IN ANY COMMON ALARM CHAIN. ALARM CONTACTS CONNECT SEPARATELY TO TB3 AS STANDARD.
  - 5) UNLESS OTHERWISE SPECIFIED, ALL WIRE IS #20 AWG.
  - 6) TB5 IS PART OF CHARGER MAINFRAME.

 THIRD ANGLE PROJECTION			
DRAWN BY	MCR	112503	TITLE
APPROVED			CONNECTION DIAGRAM: END OF DISCHARGE ALARM W/OPTIONAL INDICATOR LIGHTS
UNLESS OTHERWISE NOTED DIMENSIONS ARE IN INCHES. TOLERANCES ARE:			DRAWING No
			EJ0143-XX
			REV 4
			A
SCALE	NTS	PART No	EJ0143-XX
		SHEET	2 OF 2