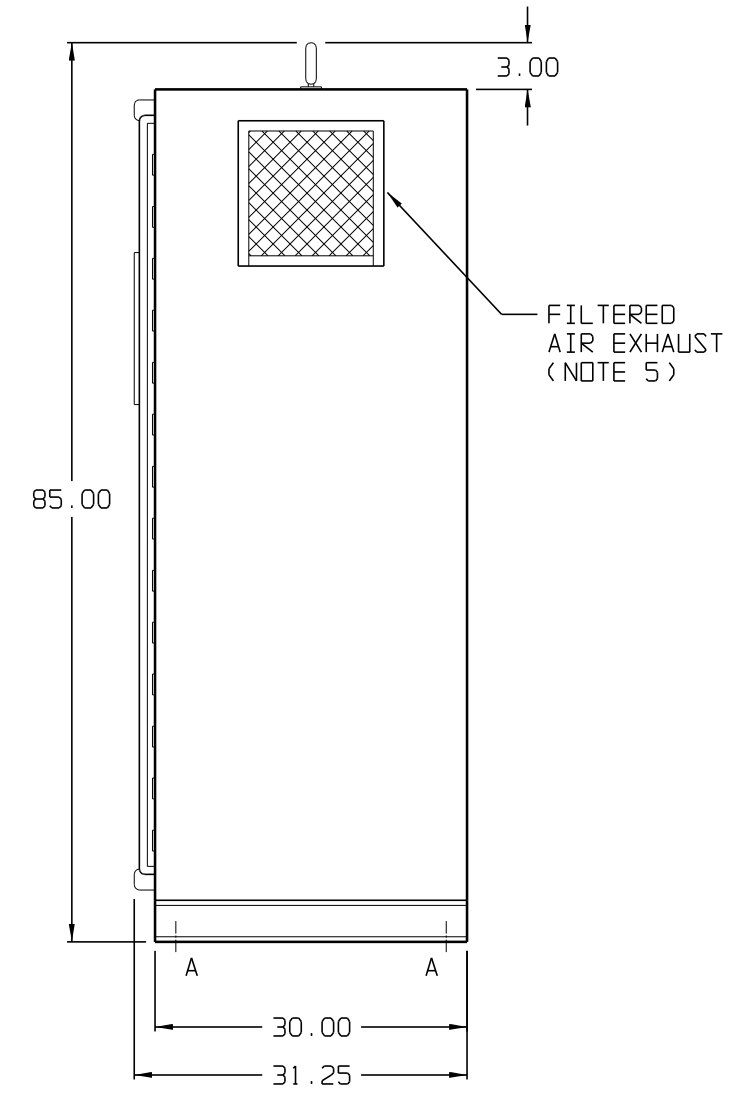
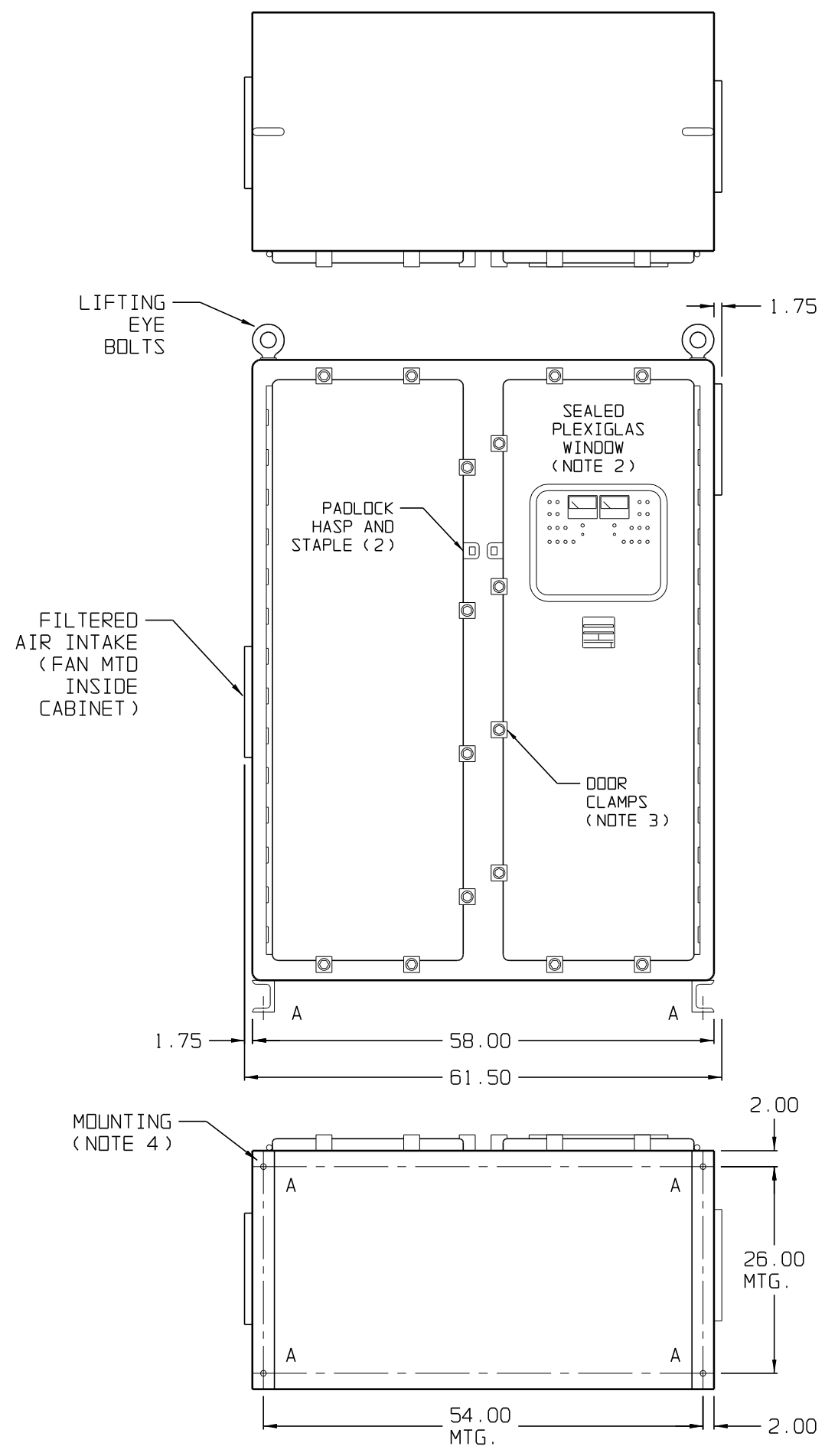


HOLE	DIA.	QTY.	APPLICATION
A	0.625	4	FLOOR MOUNTING

NEMA-4/12 ENCLOSURES FEATURE NO PROVISIONS FOR CONDUIT ENTRANCE. ENCLOSURE SHOULD BE FIELD-MODIFIED BY INSTALLER AS NEEDED FOR I/O.



NOTES:

- 1) BATTERY CHARGER SHIPPING WEIGHT: (see product literature)
- 2) PLEXIGLAS WINDOW PROVIDED TO VIEW INTERNAL INSTRUMENT PANEL, SEE DETAIL DRAWING JE0260-##.
- 3) ENCLOSURE IS A NEMA-4/12 TYPE STEEL GASKETED CABINET, FINISH IS ANSI-61 GRAY EPOXY POWDERCOAT.
- 4) ENCLOSURE IS FLOOR-MOUNTED AS SHOWN IN TABLE ABOVE.
- 5) ALLOW 12in OF FREE AIR ON SIDES OF CABINET FOR VENTILATION.

			THIRD ANGLE PROJECTION		1075 Saint John Street Easton, PA 18042-6661 PH 610-330-9000 FAX 610-330-8510 www.hindlepowerinc.com								
			DRAWN BY	MCR	010809	TITLE	SCR/SCRFB BATTERY CHARGER OUTLINE: NEMA-4/12 STYLE-5 VENTED ENCLOSURE						
			ELECTRONIC APPROVAL SIGNATURES MAINTAINED BY MFG ECN LOG			DRAWING No	JE5105-00	REV 0					
D	N/A	010809	UNLESS OTHERWISE NOTED DIMENSIONS ARE IN INCHES. TOLERANCES ARE:			SCALE	NTS	PART No	JE5105-00	SHEET	1	OF	1
REV	ECN No	DATE											