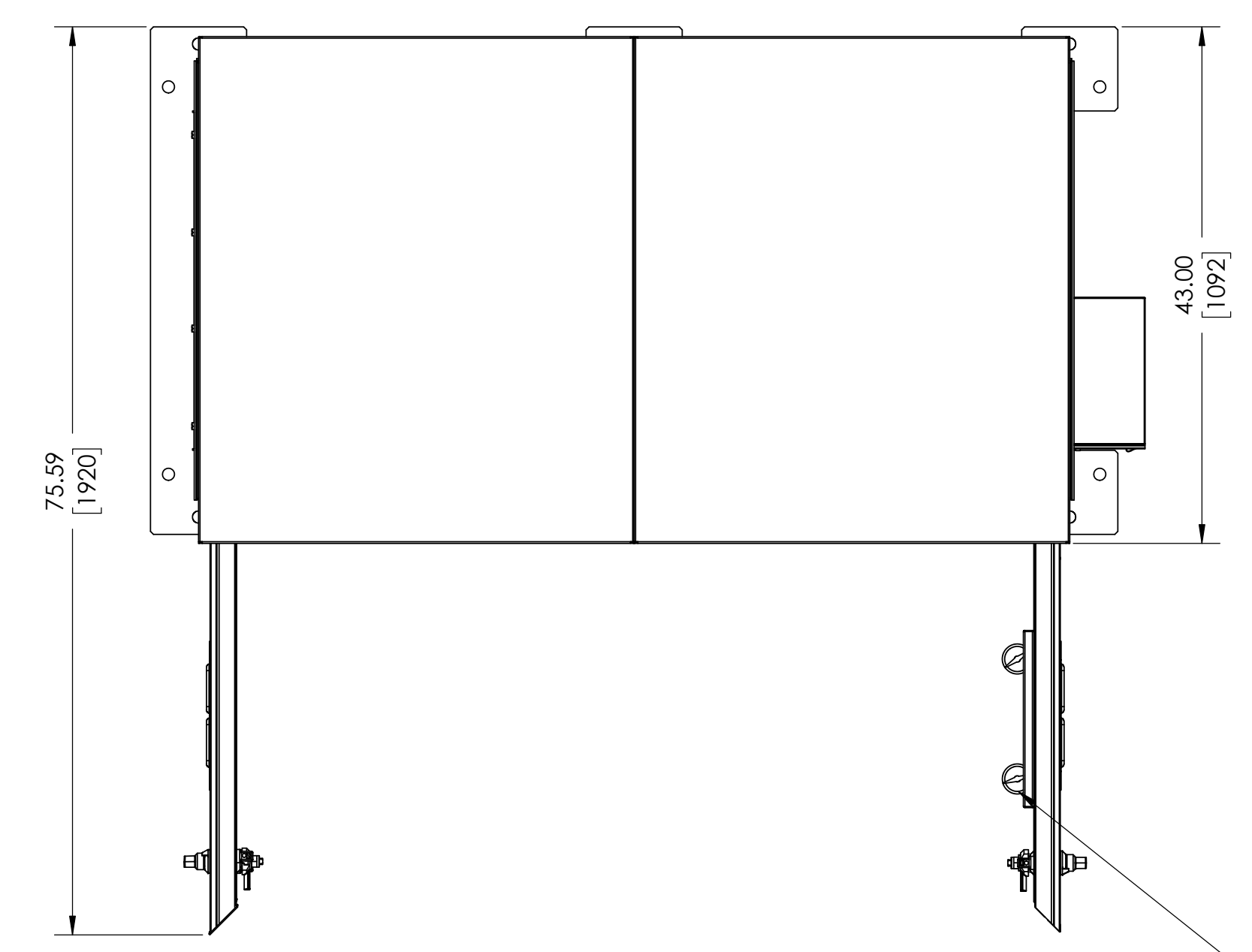
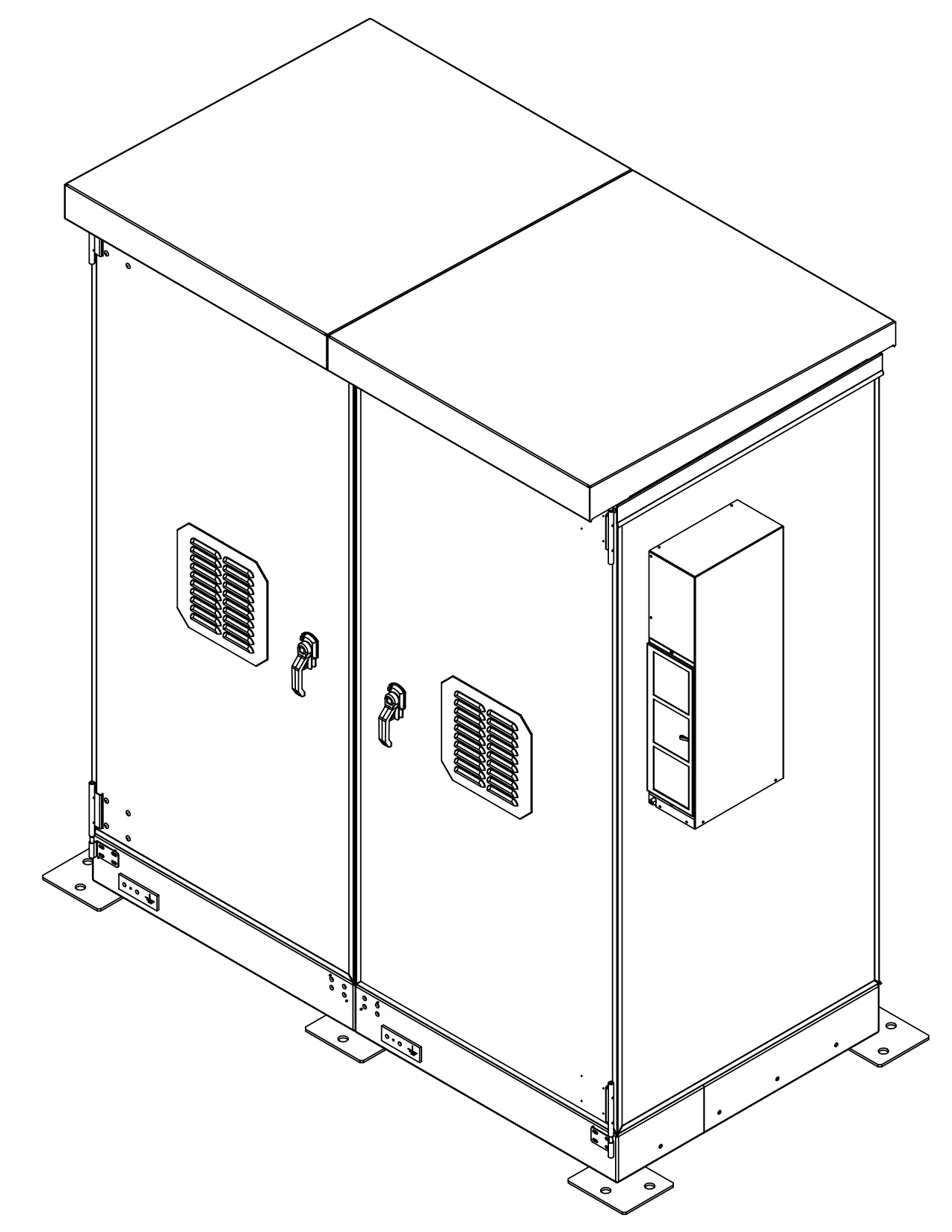
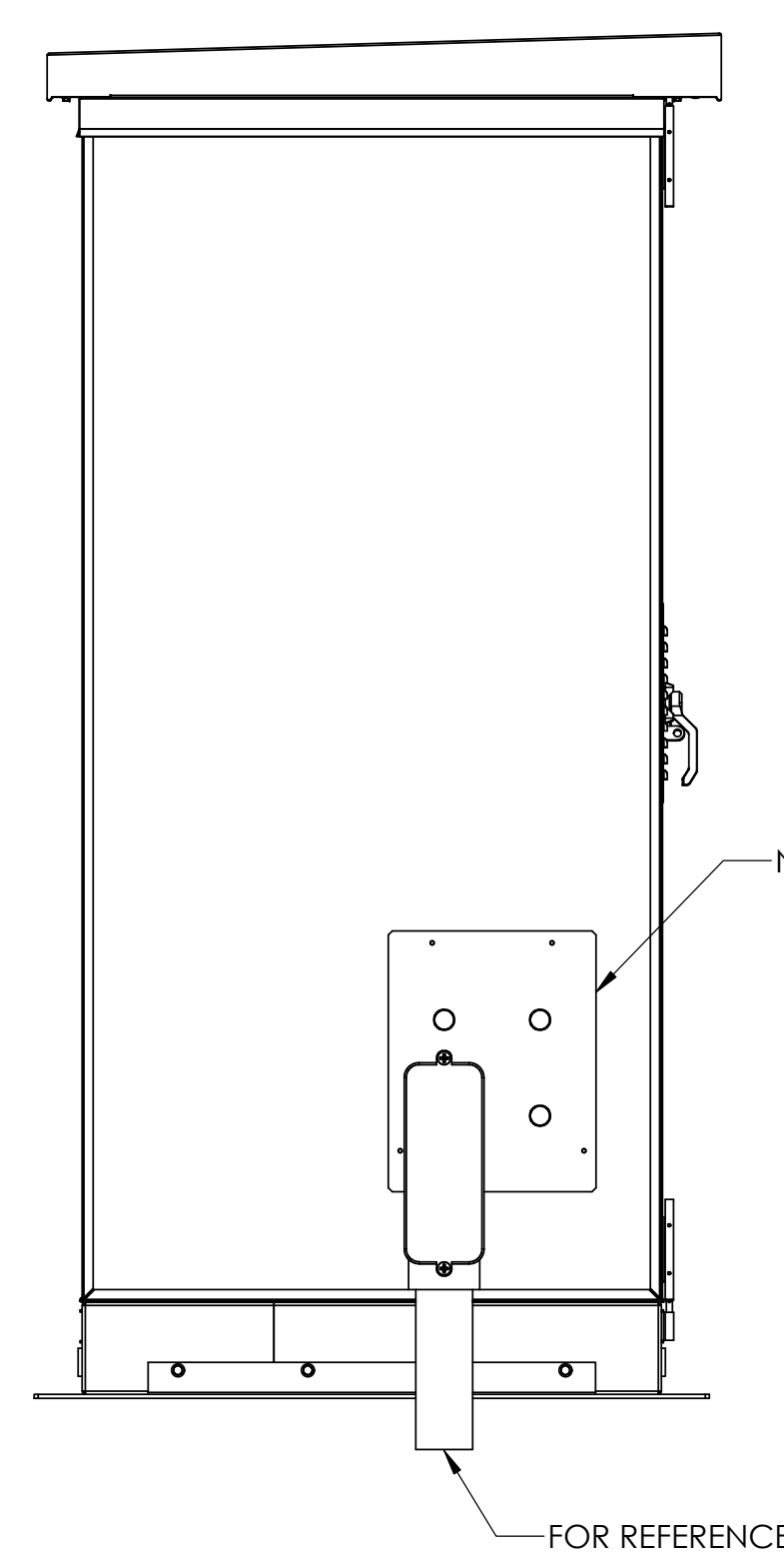


8 7 6 5 4 3 2 1

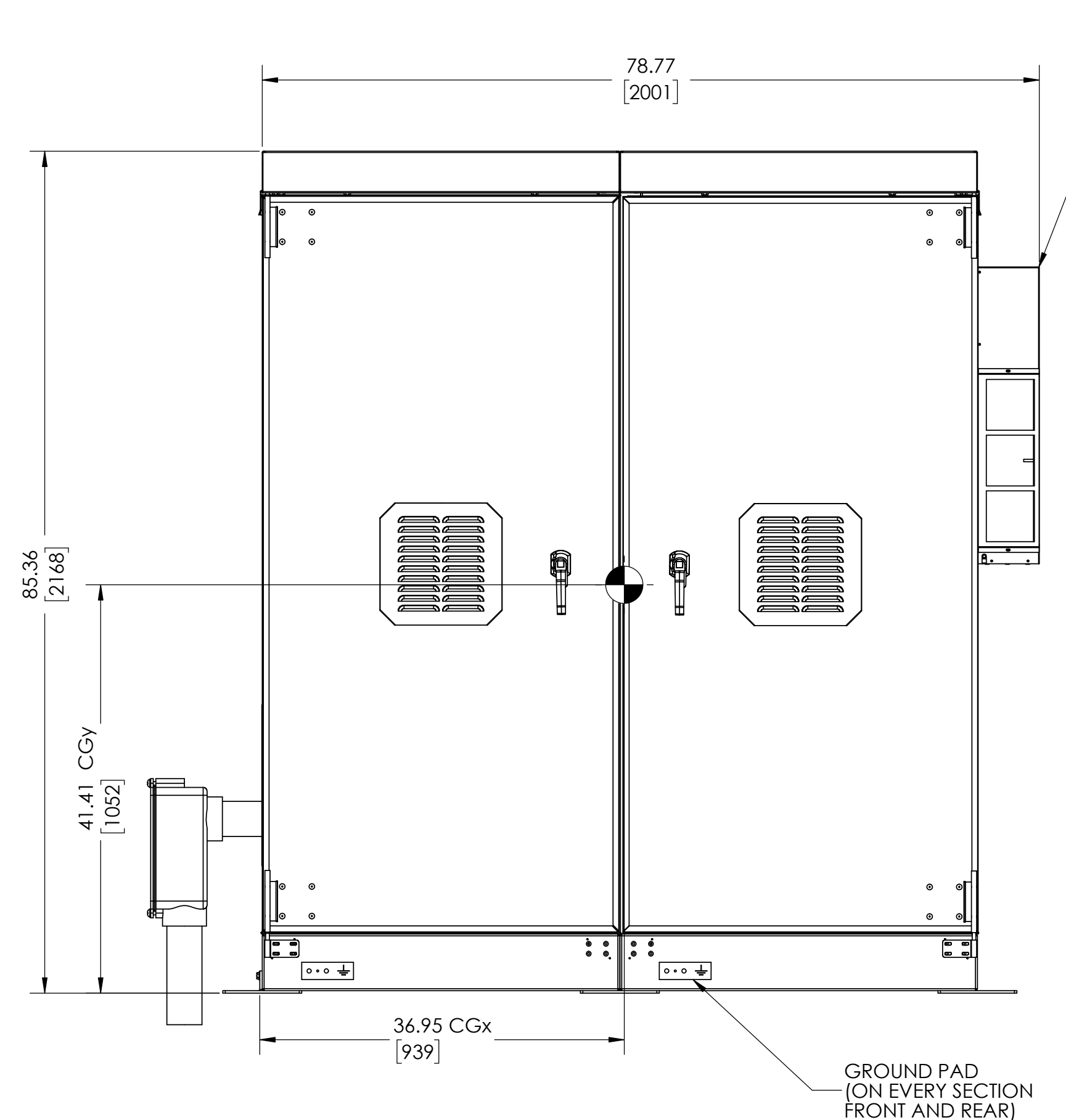


EYE WASH STATION

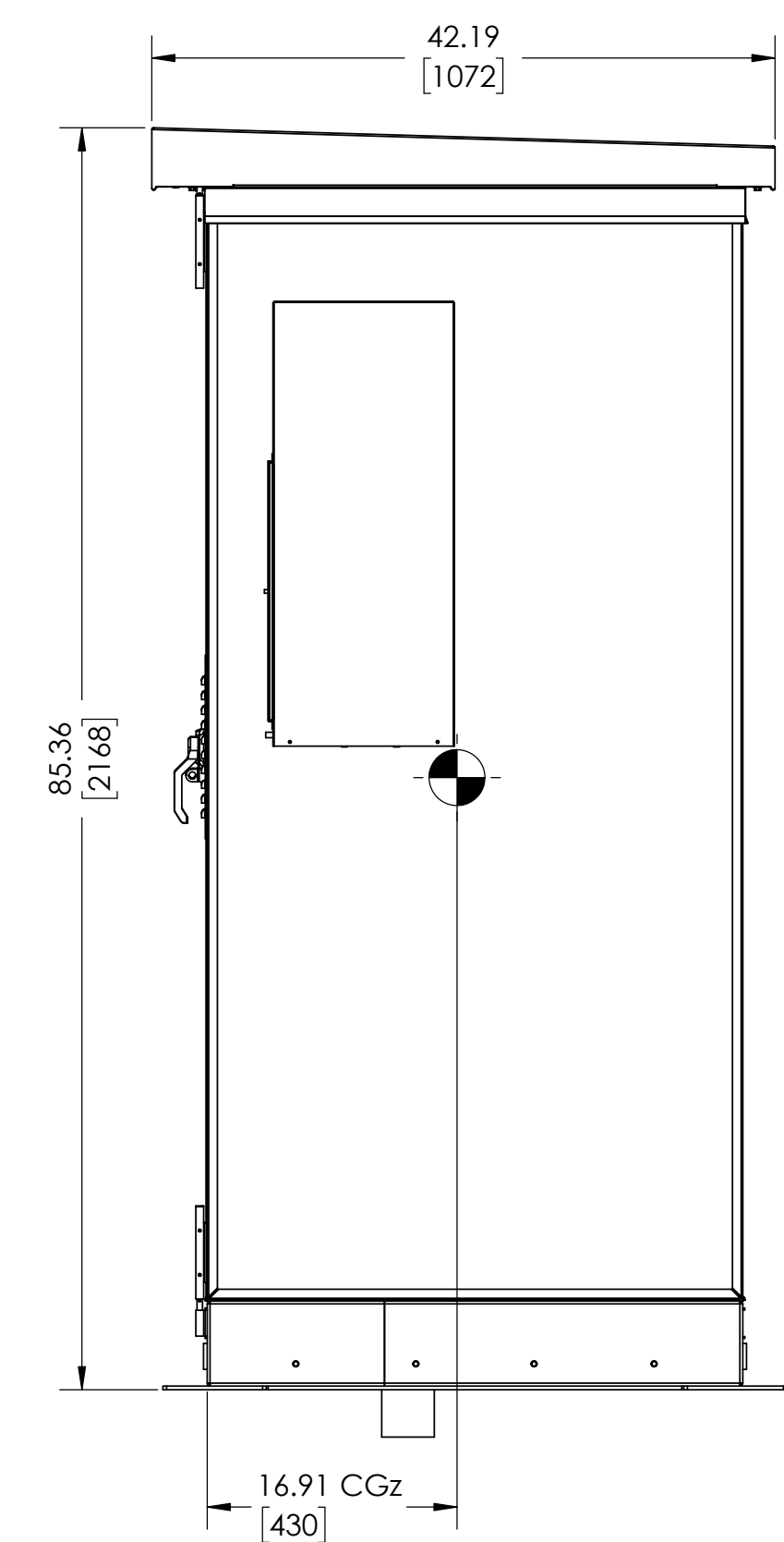


NOTE 3

FOR REFERENCE



AIR CONDITIONER B9



DESIGN NOTES:

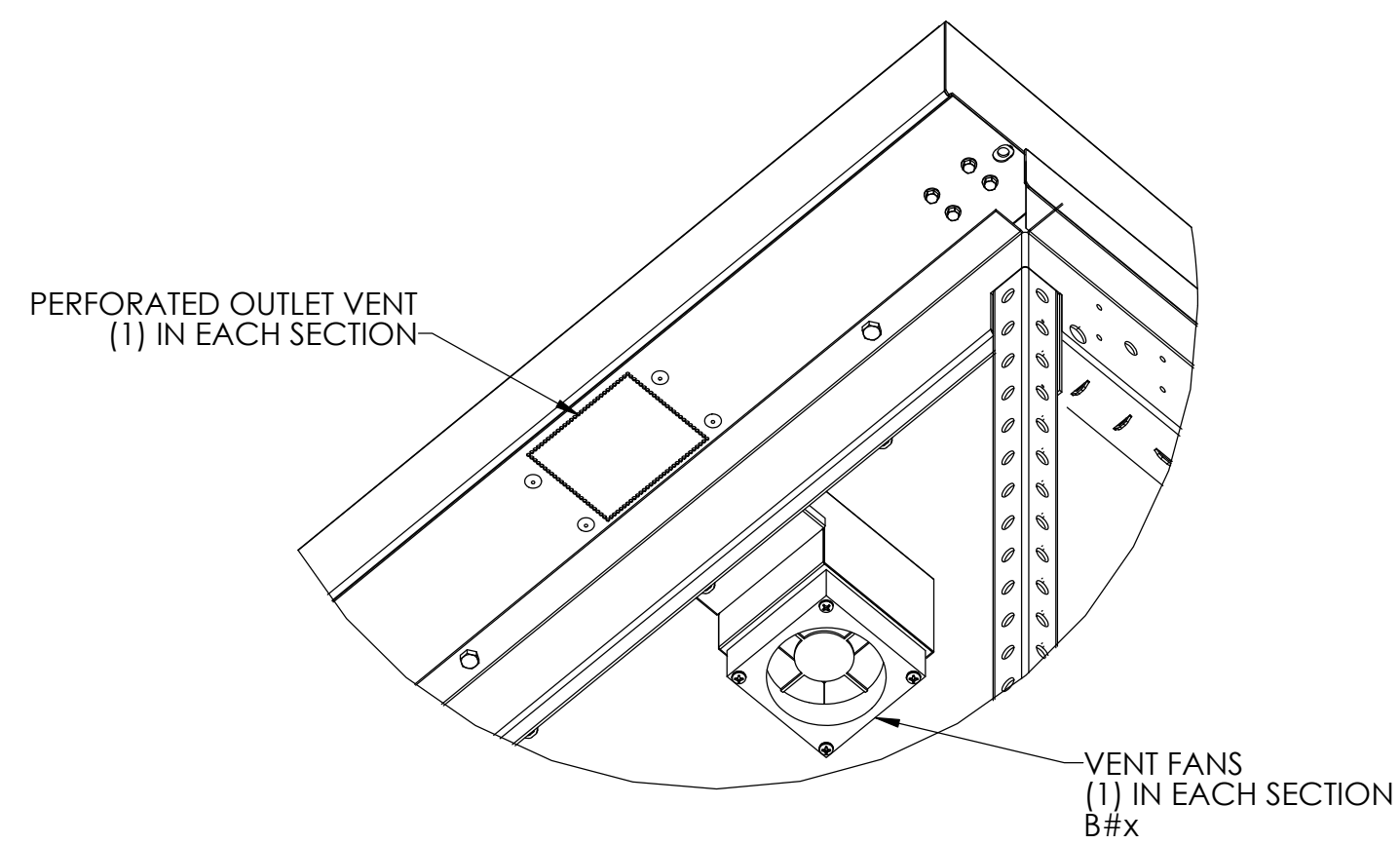
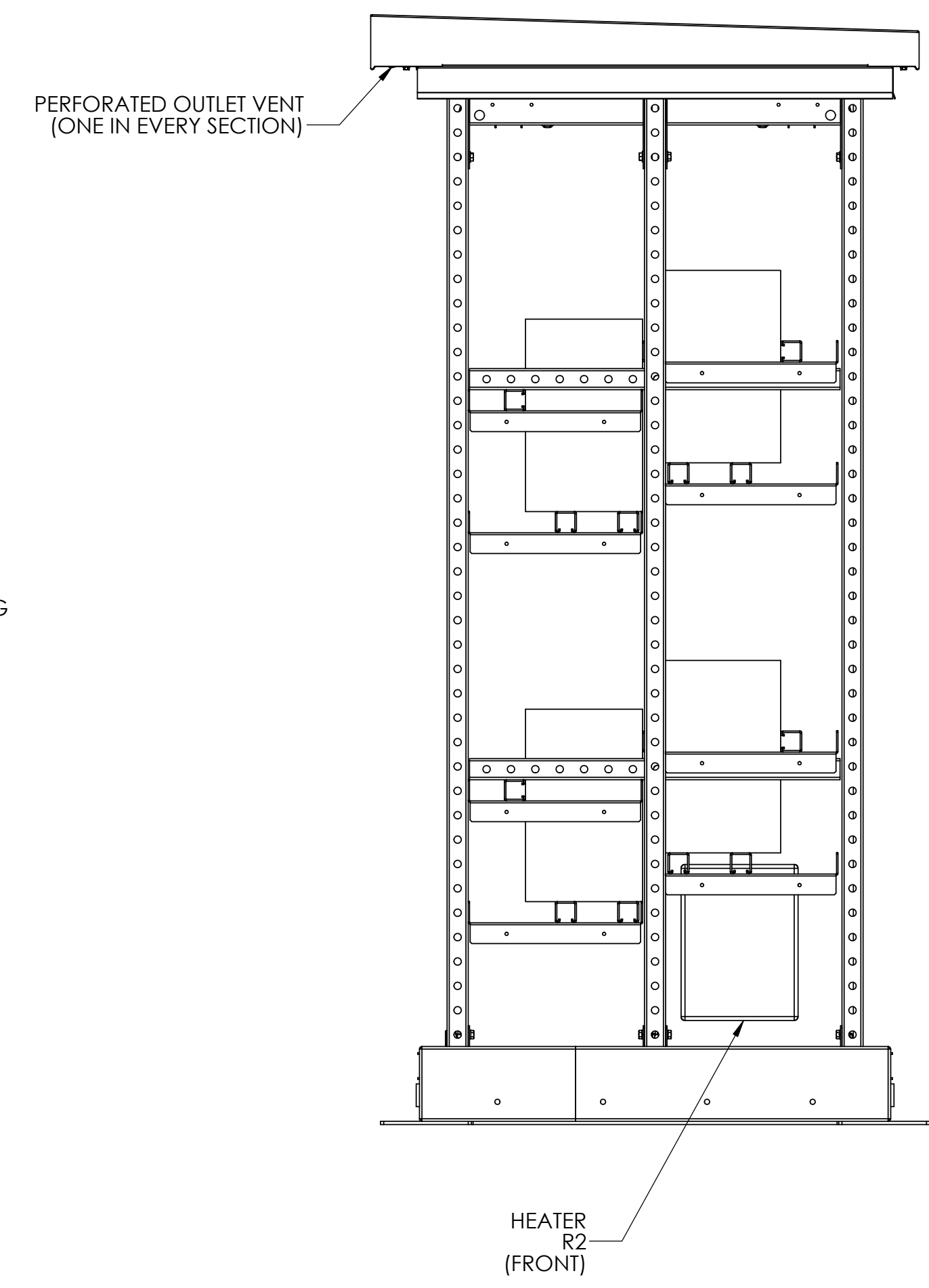
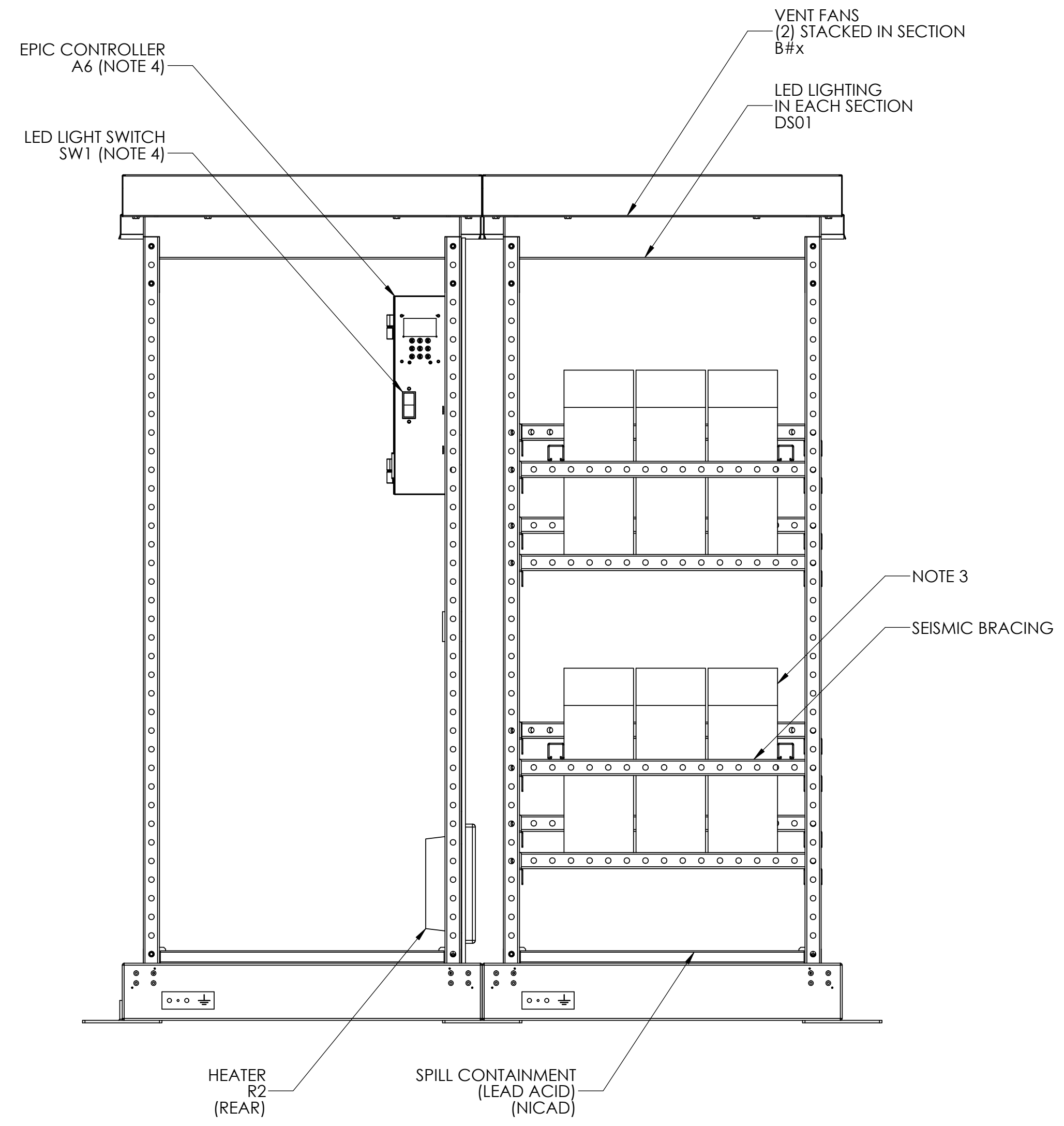
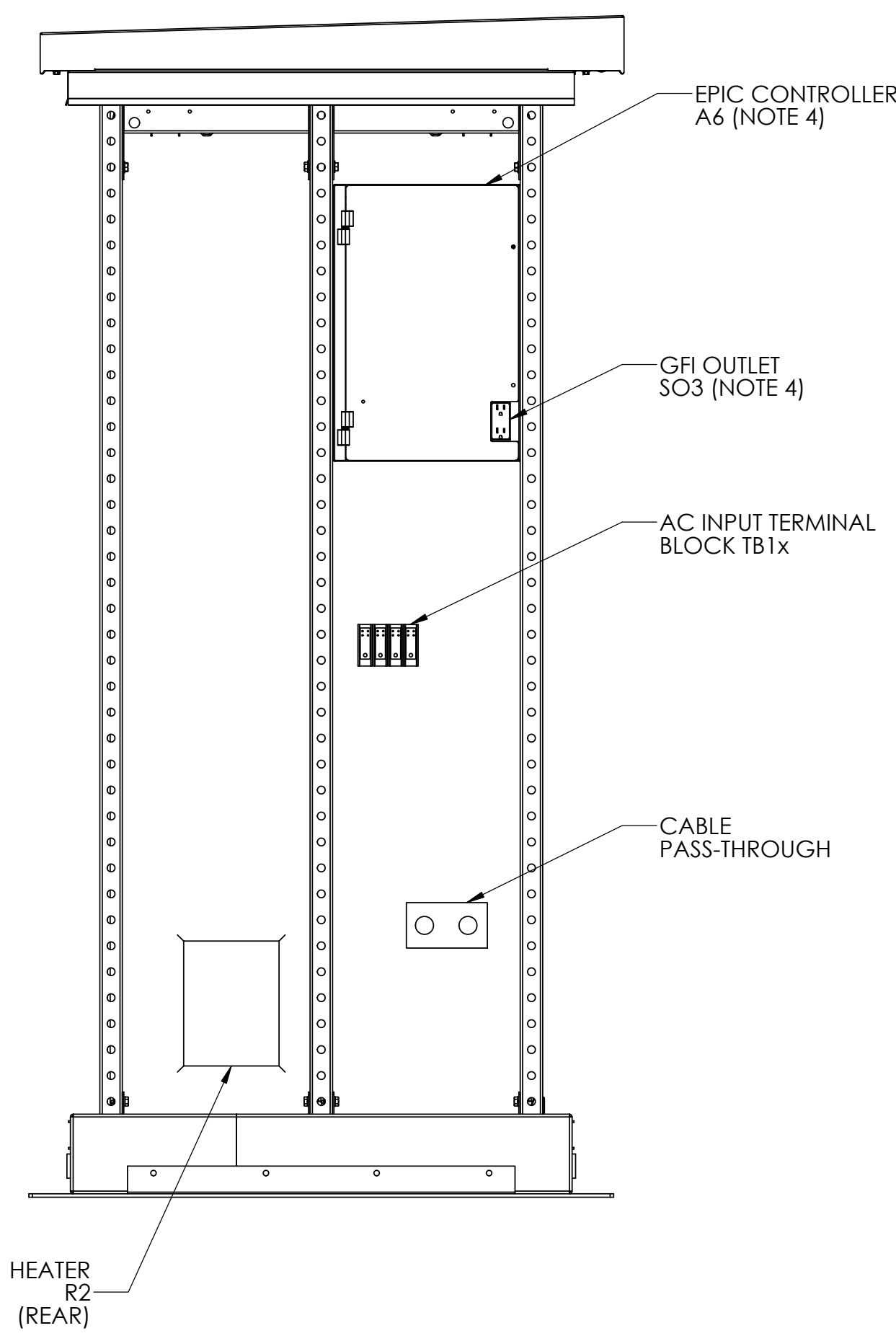
1. ENCLOSURE IS A NEMA-3R TYPE CABINET WITH GASKETING AND FOAM INJECTED PANELING. FINISH IS ANSTI 61 GREY POWDERCOAT.
2. HINGES MADE OF STAINLESS STEEL GRADE 316
3. CONDUIT ENTRY PROVIDED THROUGH SIDE PANEL 10.5in BY 14in GLAND PLATE AVAILABLE FOR KNOCKOUT. SEE FOUNDATION DRAWINGS (JE5276-52) FOR KNOCKOUT LOCATIONS. CONDUIT ACCESS ALSO AVAILABLE FROM UNDERNEATH CABINET.
4. LOCATE UNIT ONTO A PERMANENT, FLAT, AND LEVELED SURFACE, PREFERABLY CONCRETE OR OTHER FIREPROOF MATERIAL. SURFACE MUST BE CAPABLE OF SUPPORTING WEIGHT OF COMPLETE SYSTEM AND INSTALLED COMPONENTS. SEE FOUNDATION DRAWING (JE5276-52) FOR LOADING INFORMATION.
5. VENTILATION AND THERMAL MANAGEMENT OF BATTERIES PER IEEE 1635. SEISMIC CERTIFICATION PER IEEE 693.
6. THE WEIGHT OF THE CONSOLE WITHOUT BATTERIES IS 937lb [425kg]
7. FOR LIFTING, USE OPTIONAL STRAPPING SYSTEM (SEE EI5196-02).

C:Hindle Vault\Custom Drawings\CONSOLES 2.1\2.1.2 SEC (w-STND OPT)

<small>UNLESS OTHERWISE SPECIFIED ALL DIMENSIONS FOLLOW THE AND SYSTEMS (INCHES, POUNDS &amp; SECONDS) TOLERANCES ARE: FRAC: 1/16, DEC: 0.015, ANG: 0.1°</small>		
	<b>EPIC SERIES 2.0 CONSOLE</b> OUTLINE: NEMA 3R STYLE 5063 ENCL SALES ORDER No. N/A	
<small>PROPERTY AND CONFIDENTIAL NOTICE ANY REPRODUCTION, PARTIAL OR AS A WHOLE OF THIS DOCUMENT WITHOUT THE WRITTEN PERMISSION OF HINDLE POWER, INC. IS STRICTLY PROHIBITED.</small>	TITLE:	SCALE: 1:12
REV. A	DATE: 6/10/2020	DRAWING NO: <b>JE5269-52</b>
DESCRIPTION: STANDARD DRAWINGS	DWN BY: KJB	REV: A
CHECKED BY: ND	APP BY: ND	SHEET: 1 OF 3

REV.	DATE	DESCRIPTION	DWN BY	CHK BY	APP BY
A	6/10/2020	STANDARD DRAWINGS	KJB	ND	ND
REVISIONS					

8 7 6 5 4 3 2 1

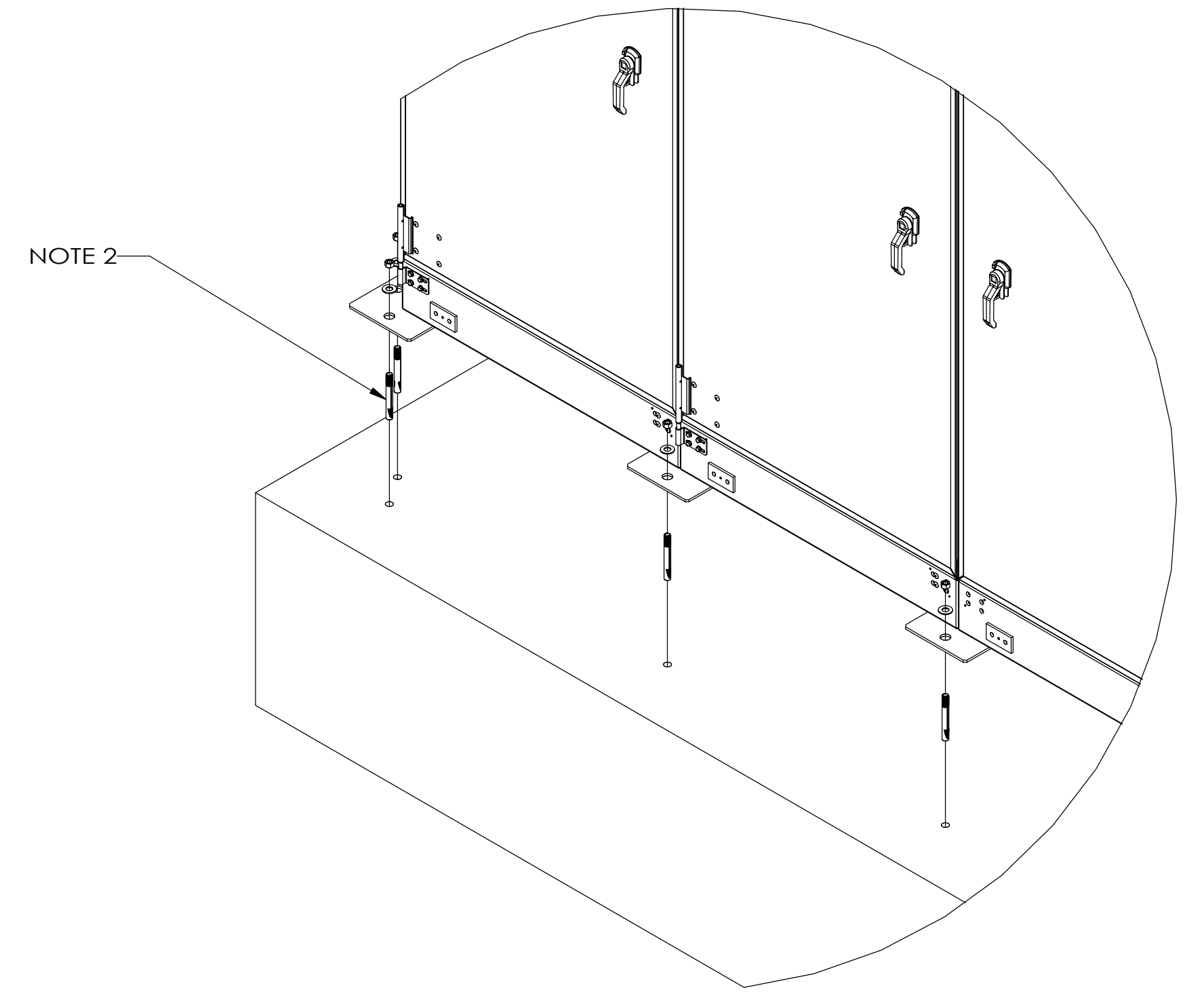
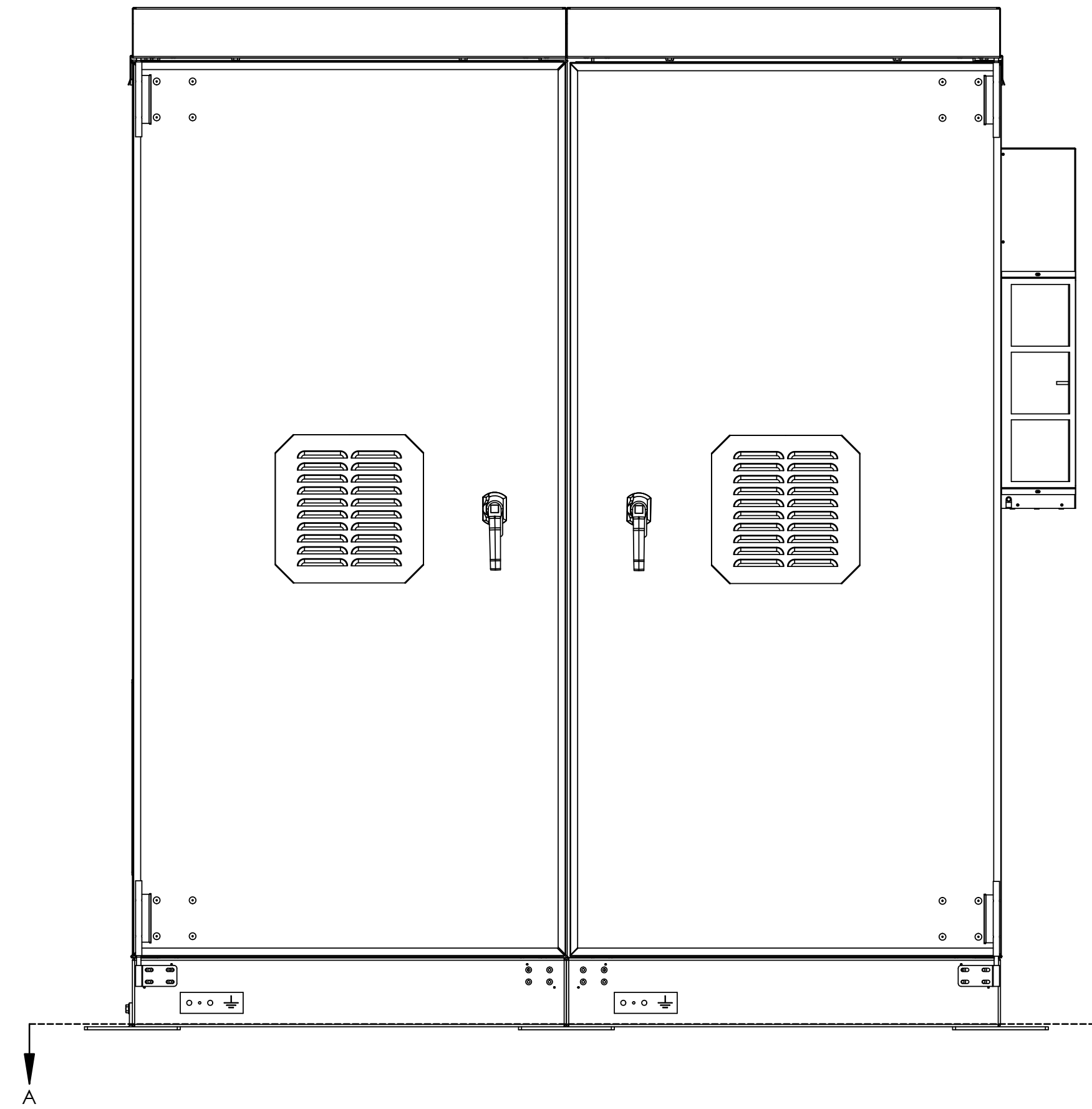
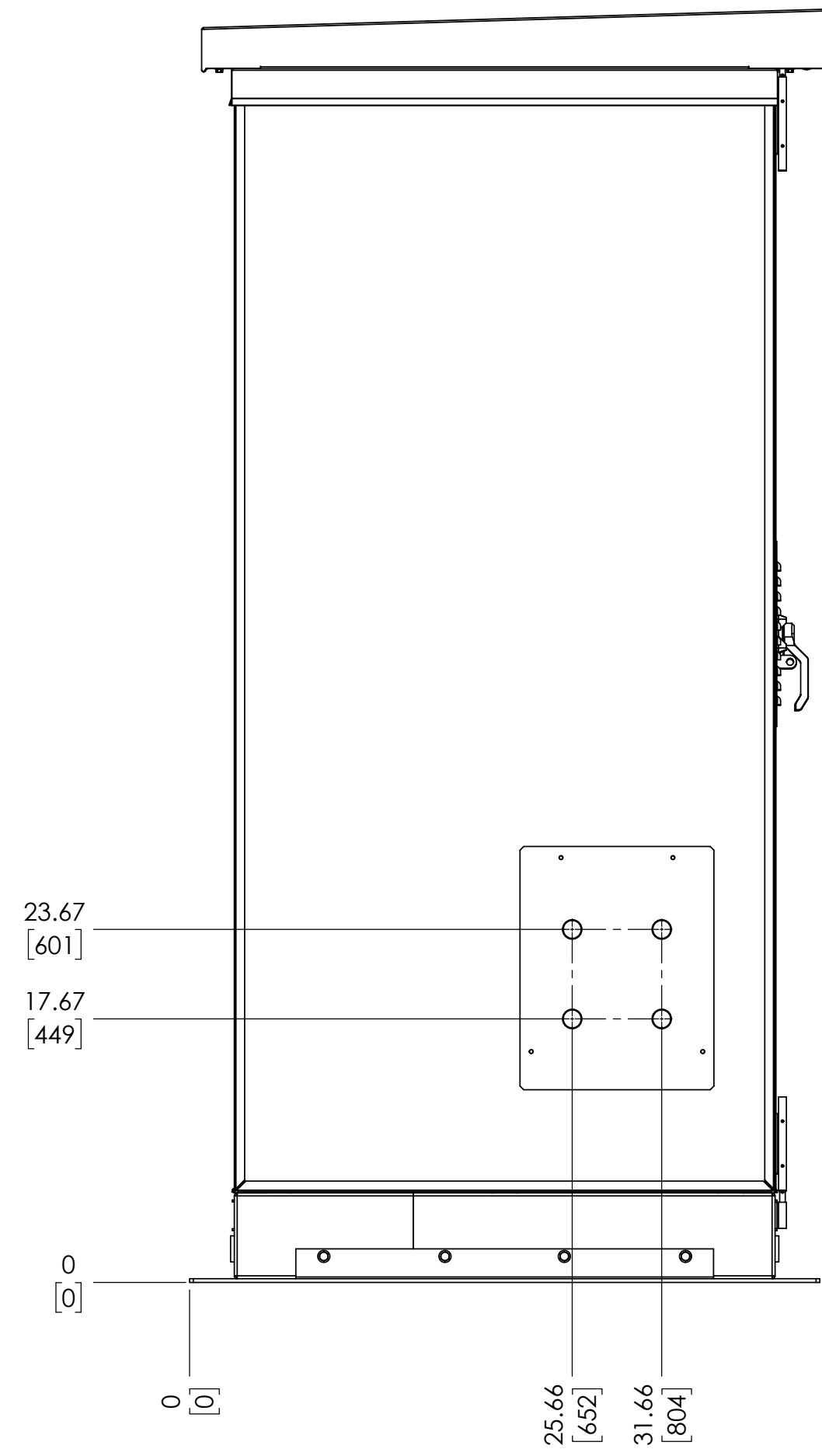


1. TO PROVIDE A CLEAR VIEW OF THE CONSOLE INTERNAL COMPONENTS, THE FOLLOWING ITEMS ARE NOT SHOWN:
  - FRONT DOORS W/ EYE WASH
  - REAR PANELS/DOORS
  - LEFT AND RIGHT SIDE PANELS
2. DO NOT LIFT, PUSH OR RELOCATE THE EPIC CONSOLE WITH BATTERIES INSTALLED WITHIN ENCLOSURE.
3. BATTERY TYPE: REFERENCE BATTERIES (## JARS)
4. EPIC CONTROLLER (A6) CONTAINS
  - A4x RELAY BOARDS
  - A5 DISPLAY BOARD
  - A12 POWER SUPPLY
  - CB# CIRCUIT BREAKERS
  - K2, K3 SOLID STATE RELAYS
  - SO3 GFI OUTLET
  - SW1 LIGHT SWITCH

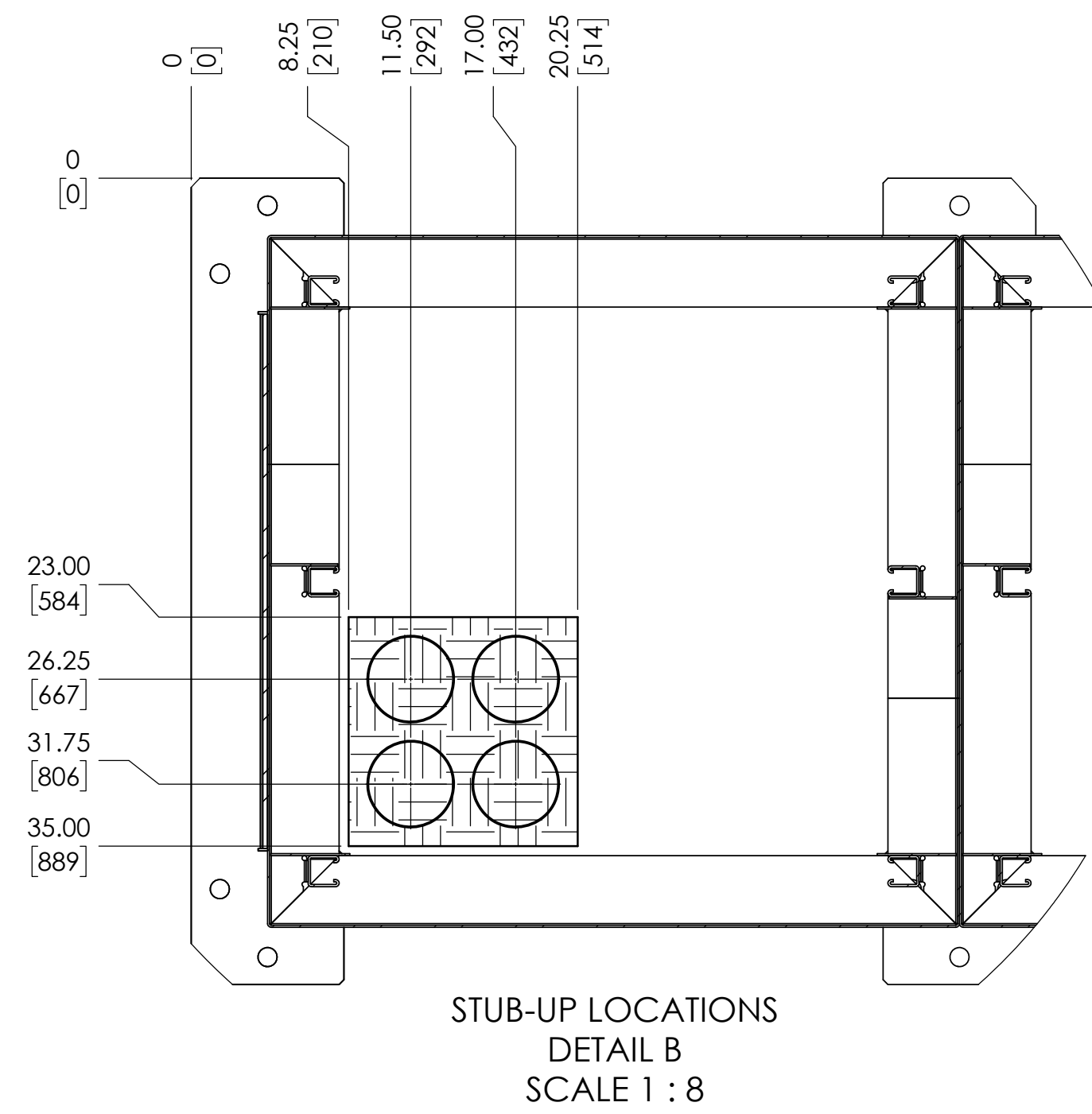
C:Hindle Vault\Custom Drawings\CONSOLES 2.1\2.1.2 SEC (w-STND OPT)

<small>UNLESS OTHERWISE SPECIFIED ALL DIMENSIONS FOLLOW THE AND SYSTEMS (INCHES, FEET AND SECONDS) TOLERANCES ARE FRAC: 1/16, DEC: .015, .001, .01</small>			
<small>PROPERTY AND CONFIDENTIAL NOTICE ANY REPRODUCTION, PARTIAL OR AS A WHOLE OF THIS DOCUMENT WITHOUT THE WRITTEN PERMISSION OF HINDLE POWER IS STRICTLY PROHIBITED</small>		TITLE <b>EPIC SERIES 2.0 CONSOLE</b> INTERNAL LAYOUT: 1 ELEC. / 1 BATT. SALES ORDER No. N/A	
SCALE: 1:10		DWG No: <b>JE5270-52</b>	
REV	DATE	DESCRIPTION	REVISIONS
A	6/10/2020	STANDARD DRAWINGS	KJB ND ND
			DWN BY CHK BY APP BY
		SHEET A 2 OF 3	

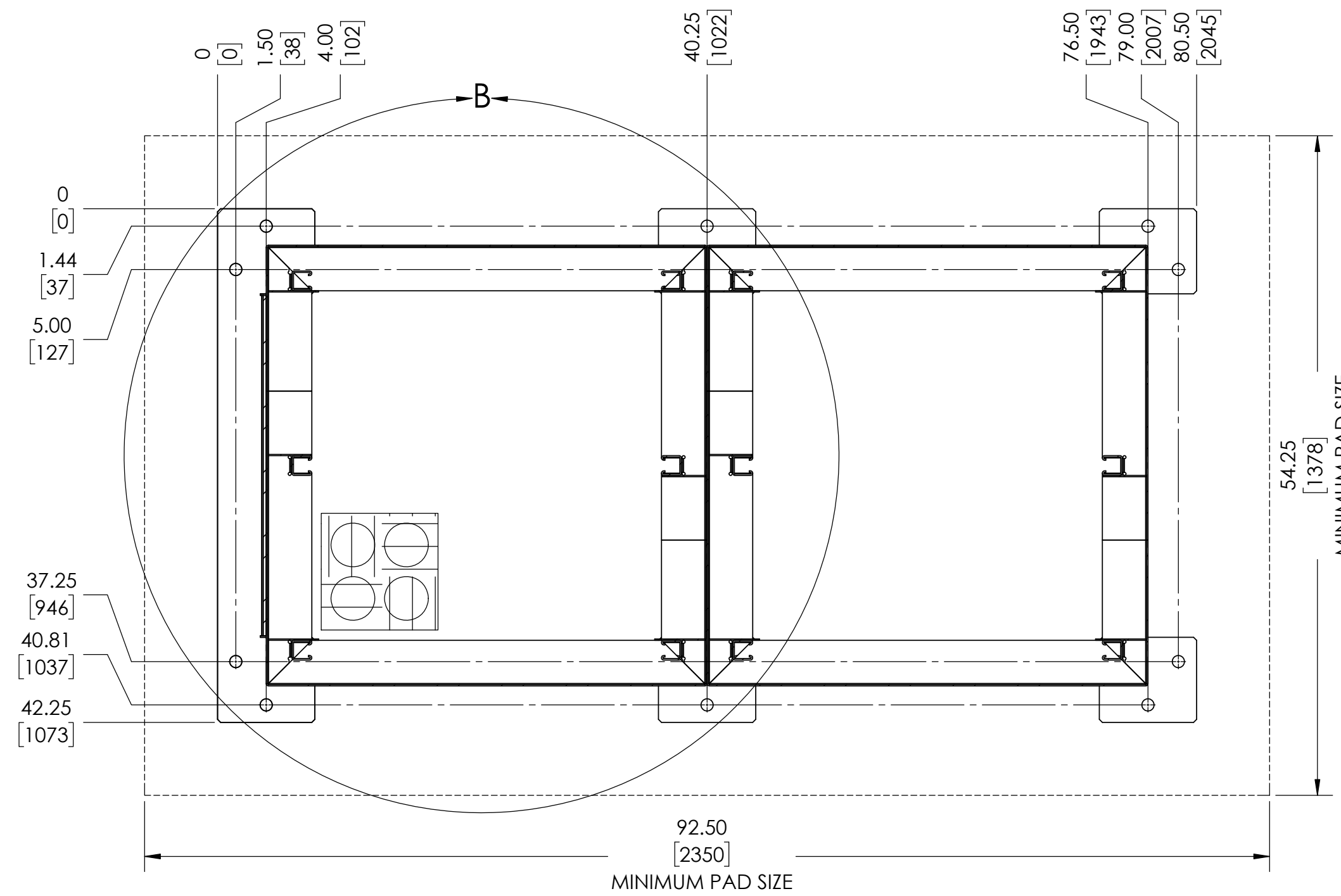
REV	DATE	DESCRIPTION	DWN BY	CHK BY	APP BY
A	6/10/2020	STANDARD DRAWINGS	KJB	ND	ND



A-A  
MOUNTING DIMENSIONS



STUB-UP LOCATIONS  
DETAIL B  
SCALE 1 : 8



NOTES:

1. MOUNTING DIMENSIONS SHOWN ON DRAWING ARE FINAL. WE RECOMMEND PLACING CONSOLE, THEN DRILLING FOR MOUNTING ANCHORS.
2. ANCHOR BOLTS ARE TO BE HILTI M12 HDA-TR STAINLESS STEEL UNDERCUT (OR EQUIVALENT). HOLE DEPTH TO BE MINIMUM OF 5.3" [135mm], PAD DEPTH TO BE MINIMUM OF 8.0" [203mm]
3. CONCRETE PAD TO EXTEND A MINIMUM OF 6" [153mm] FROM EDGE OF CABINET ON ALL SIDES. SEE MOUNTING DIMENSIONS BELOW. THE WEIGHT OF THE CONSOLE WITH BATTERIES (SPECIFIED IN PURCHASE ORDER) IS 1278lb [580kg]
4. CONCRETE PAD TO BE 4000 psi OR GREATER.
5. ELECTRICAL CONDUIT MAY ENTER FROM UNDERNEATH CABINET, BUT ONLY THROUGH STUB-UP LOCATIONS SHOWN IN DETAIL B.
6. CONDUIT ENTRY PROVIDED THROUGH SIDE PANEL 10.5in BY 14in GLAND PLATE AVAILABLE FOR KNOCKOUT. KNOCKOUTS MAY NOT BE VISIBLE, USE DIMENSIONS TO VERIFY BREAKAWAY POINTS.

C:Hindle Vault\Custom Drawings\CONSOLES 2.1\2.1.2 SEC (w-STND OPT)

<small>UNLESS OTHERWISE SPECIFIED ALL DIMENSIONS FOLLOW THE AND SYSTEMS (INCHES-FRACTIONS &amp; DECIMALS) TOLERANCES ARE FRAC: 1/16, DEC: .010, .015 &amp; .02</small>		
	TITLE <b>EPIC SERIES 2.0 CONSOLE FOUNDATION DRAWINGS</b> SALES ORDER No. N/A	
<small>PROPERTY AND CONFIDENTIAL NOTICE ANY REPRODUCTION, PARTIAL OR AS A WHOLE OF THIS DOCUMENT WITHOUT THE WRITTEN PERMISSION OF HINDLE POWER IS STRICTLY PROHIBITED</small>	SCALE: 1:10 <b>JE5276-52</b>	REV: A SHEET: 3 OF 3

REV.	DATE	DESCRIPTION	DWN BY	CHK BY	APP BY
A	6/10/2020	STANDARD DRAWINGS	KJB	ND	ND
REVISIONS					

EPIC SERIES COMPONENTS

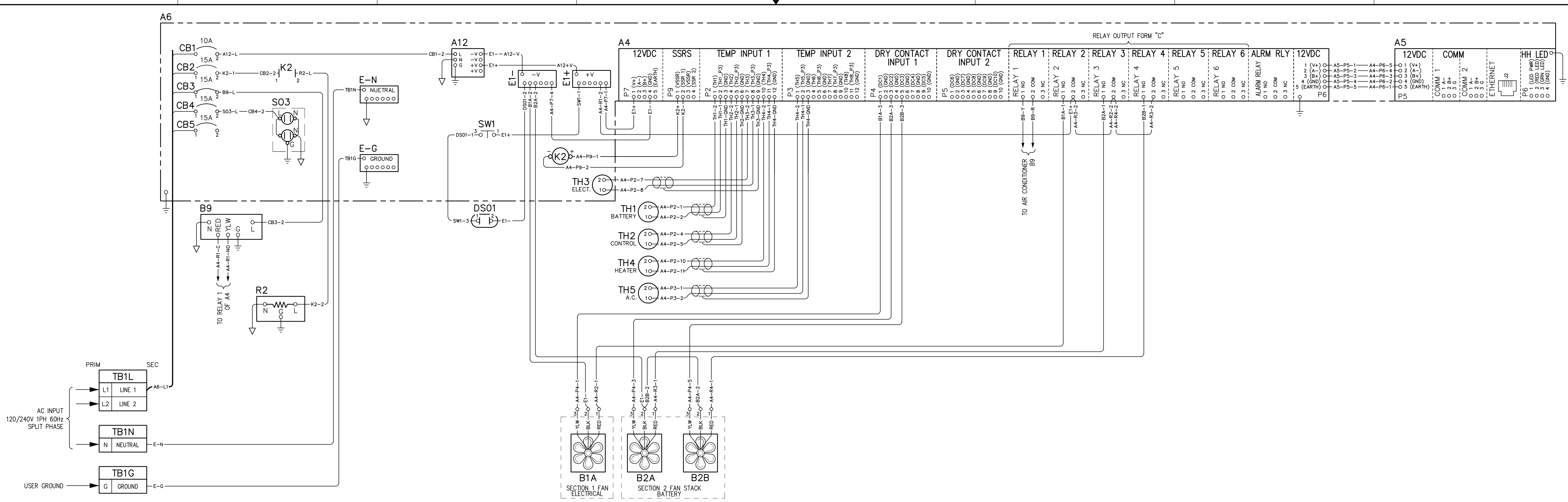
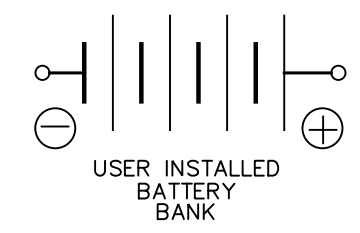
SYMBOL	DESCRIPTION
A1	HYDROGEN DETECTOR
A4	HINDLE HEALTH CONTROLLER
A5	HINDLE HEALTH DISPLAY
A6	EPIC CONTROLLER
A12	12VDC POWER SUPPLY
B#X	VENT FANS
B9	AIR CONDITIONING UNIT
CB1	CIRCUIT BREAKER FOR A12 P/S
CB2	CIRCUIT BREAKER FOR HEATING SYSTEM
CB3	CIRCUIT BREAKER FOR AIR CONDITIONER
CB4	CIRCUIT BREAKER FOR GFI OUTLET
CB5	SPARE CIRCUIT BREAKER
DS01	CONSOLE LED LIGHTS
ETX	12VDC CONNECTION POINTS
E-G	GROUND CONNECTION POINTS
E-N	NEUTRAL CONNECTION POINTS
K2	CONTACTOR FOR HEATING SYSTEM
K3	CONTACTOR FOR AIR CONDITIONER
R2	HEATER SYSTEM
SO3	15A GFI OUTLET
SW1	CONSOLE LED LIGHT SWITCH(ES)
TB1X	AC INPUT TERMINAL BLOCK
TH1	BATTERY THERMAL SENSOR
TH2	CONTROL THERMAL SENSOR
TH3	ELECTRONIC SECTION THERMAL SENSOR
TH4	HEATER THERMAL SENSOR
TH5	AIR CONDITIONER THERMAL SENSOR

LEGEND FOR EPIC LINE

SYMBOL	DESCRIPTION
○	DEVICE TERMINAL
⊙	TERMINAL BLOCK POINT IN TRANSFORMER
⊚	TERMINAL BLOCK POINT FOR SCADA
⊛	TERMINAL BLOCK POINT FOR COMMUNICATIONS
⊜	TERMINAL BLOCK POINT IN POWER CIRCUIT BREAKER
▲	TERMINAL IN A.C. OR D.C. PANELBOARD
—	SHIPPED WITH WIRING INSTALLED
- - -	WIRING TO BE INSTALLED

REV.	DATE	DESCRIPTION	DRN BY	CHK BY	APP BY
A	7/15/2020	STANDARD DRAWINGS	KJB	ND	ND

I/O TERMINAL	DESCRIPTION - TYPE	CONNECTION
TB1L,N,G PRIM	LINE 1, LINE 2 AC INPUT / USER NTRL, GND TERMINALS - CU-ALUMINUM COMP LUG	2/0-#14 AWG
TB1L,N,G SEC	LINE 1, LINE 2 AC INPUT / USER NTRL, GND TERMINALS - CU-ALUMINUM COMP LUG	#4-#14 AWG



1075 Saint John Street  
 Easton, PA 18042-6661  
 PH 610-330-9000 FAX 610-330-8810  
 www.hindlepowerinc.com

**EPIC SERIES 2.0 CONSOLE**  
 CONNECTION DIAGRAM: 1 ELEC. SECTION 1 BATT SECTION  
 SALES ORDER NO. N/A

TITLE: **JE5272-52**  
 SCALE: NTS  
 DWG No: **JE5272-00.DWG**

SHEET 1 OF 1