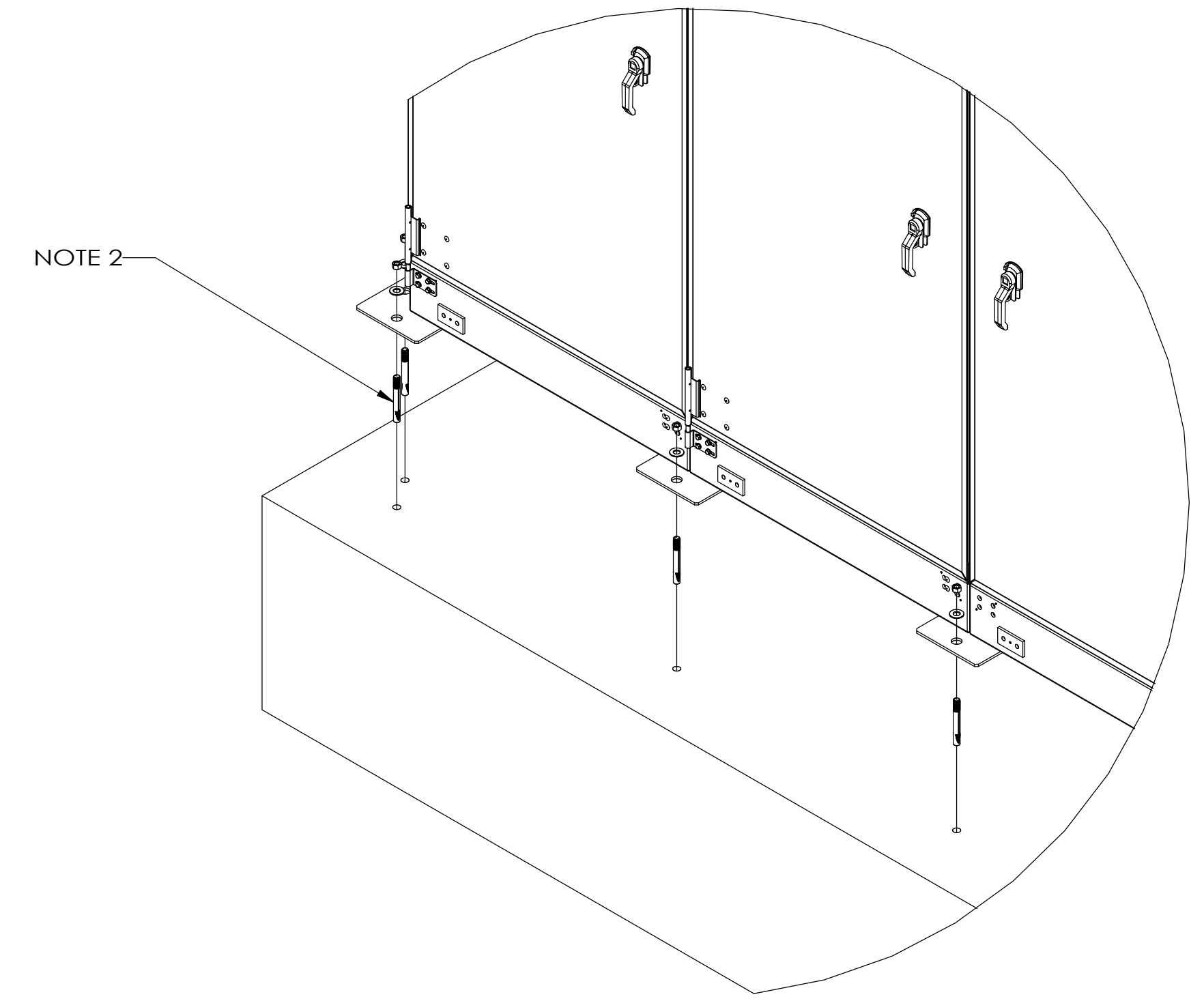
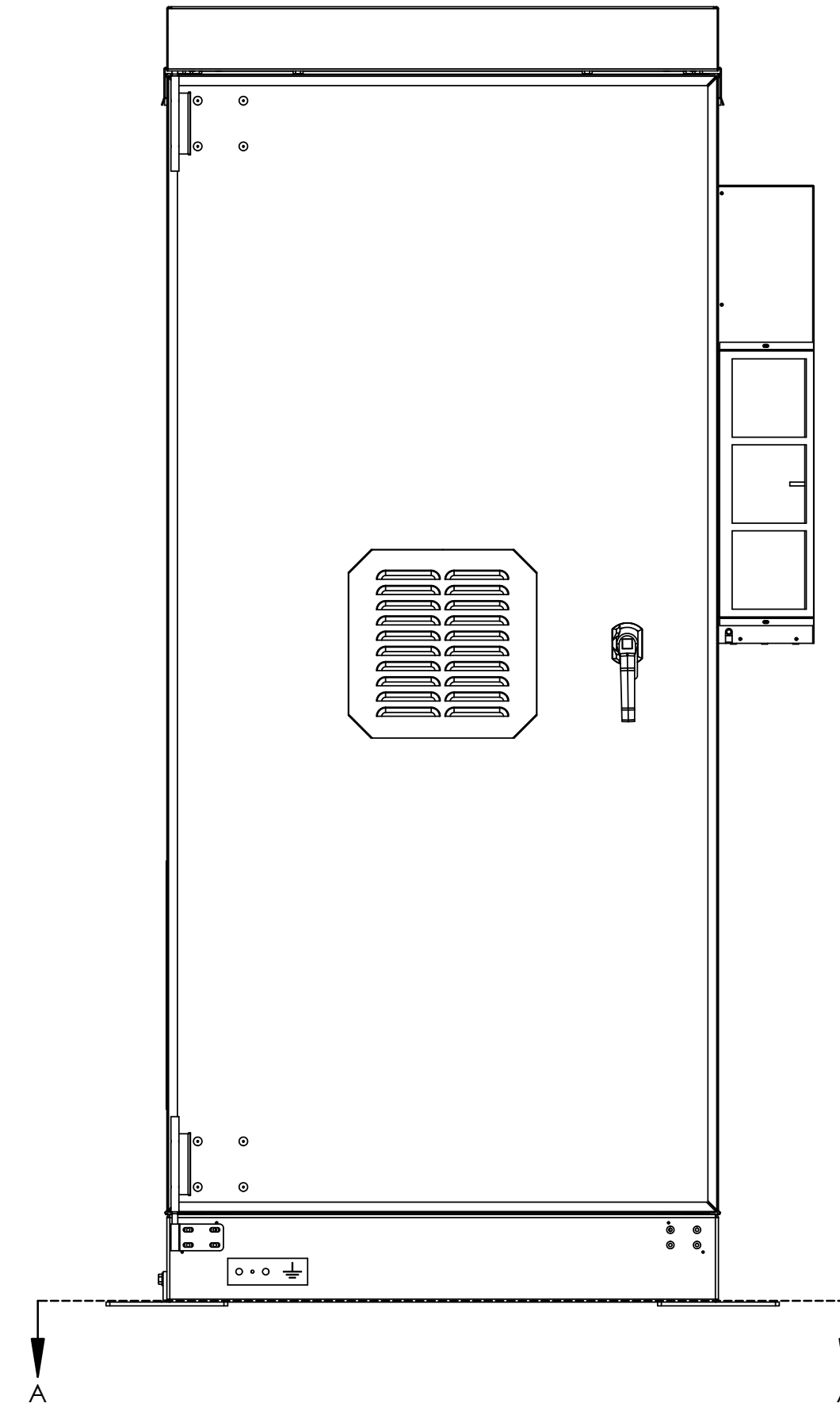
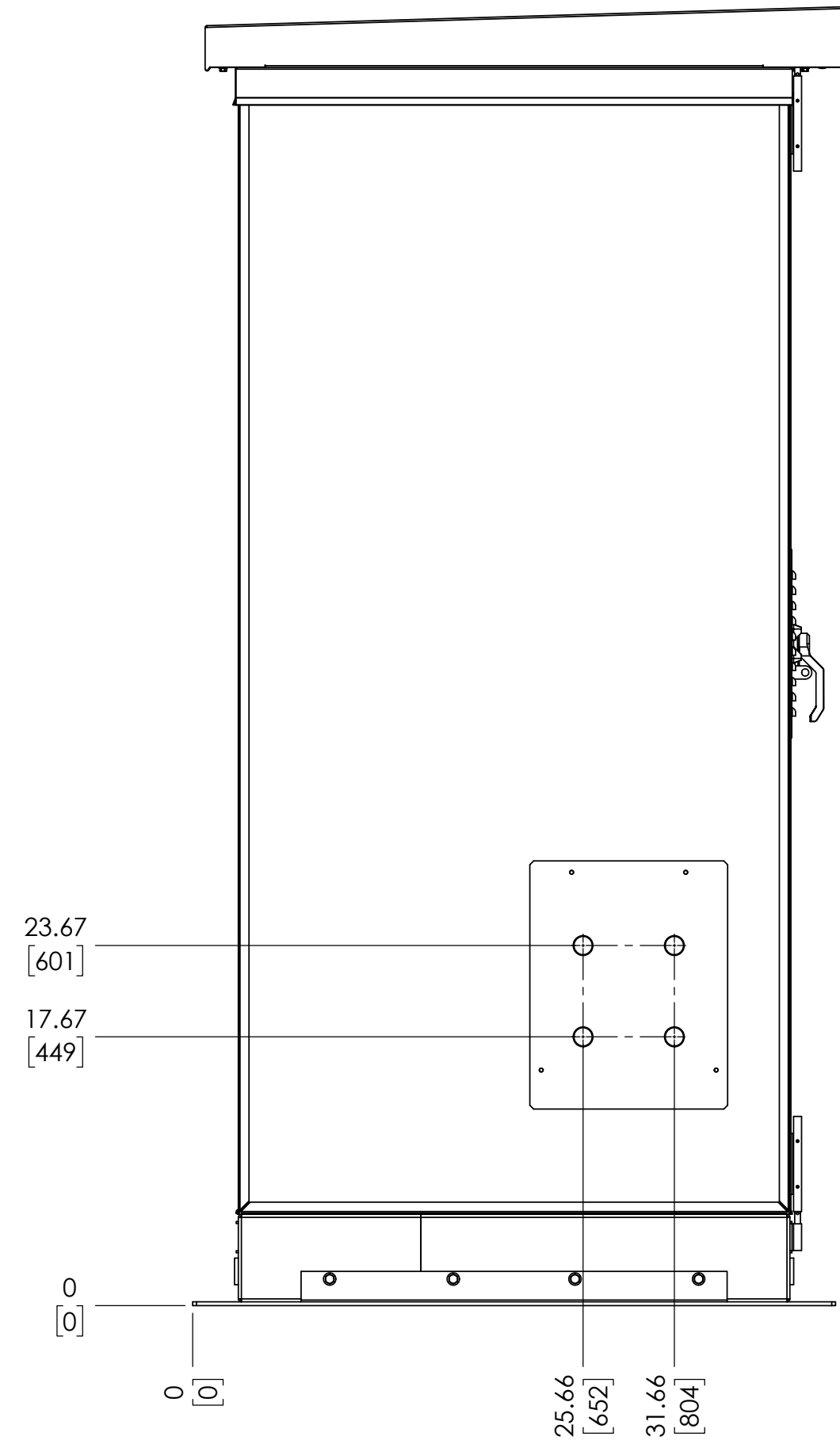


1. TO PROVIDE A CLEAR VIEW OF THE CONSOLE INTERNAL COMPONENTS, THE FOLLOWING ITEMS ARE NOT SHOWN:
  - FRONT DOORS W/ EYE WASH
  - REAR PANELS/DOORS
  - LEFT AND RIGHT SIDE PANELS
2. DO NOT LIFT, PUSH OR RELOCATE THE EPIC CONSOLE WITH BATTERIES INSTALLED WITHIN ENCLOSURE.
3. BATTERY TYPE: REFERENCE (## JARS)
4. EPIC CONTROLLER (A6) CONTAINS
  - A4x RELAY BOARDS
  - A5 DISPLAY BOARD
  - A12 POWER SUPPLY
  - CB# CIRCUIT BREAKERS
  - K2, K3 SOLID STATE RELAYS
  - SO3 GFI OUTLET
  - SW1 LIGHT SWITCH
  - TB1x AC INPUT TERMINAL BLOCK

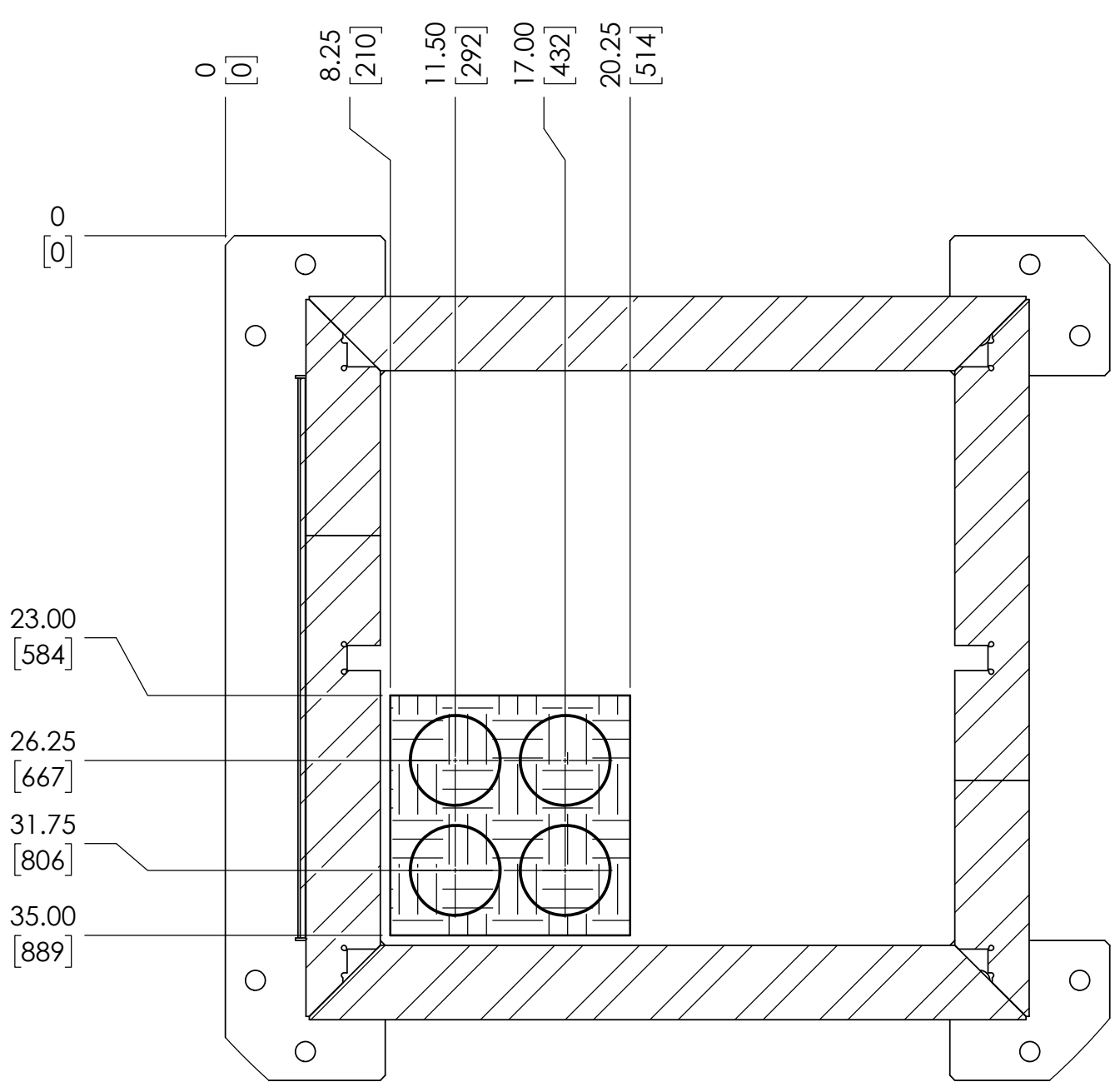
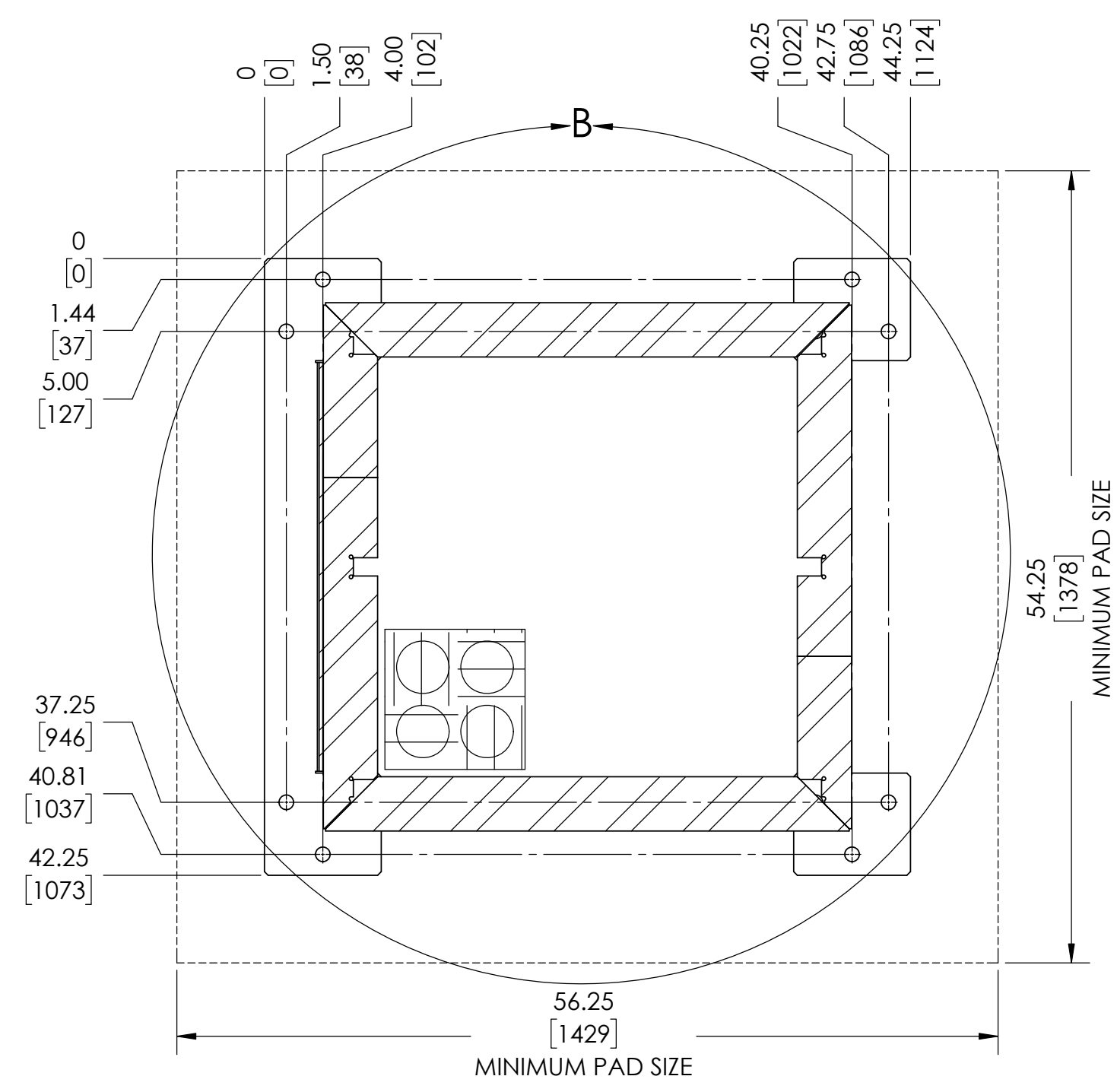
C:\Hindle Vault\Custom Drawings\CONSOLES 2.1\2.1.1 SEC (w-STND OPT)

<small>UNLESS OTHERWISE SPECIFIED ALL DIMENSIONS FOLLOW THE AND SYSTEMS' (INCHES-FRACTIONS &amp; DECIMALS) TOLERANCES ARE FRAC. 1/16. SEE 14175.100-01</small>			
<small>PROPERTY AND CONFIDENTIAL NOTICE ANY REPRODUCTION, PARTIAL OR AS A WHOLE OF THIS DOCUMENT WITHOUT THE WRITTEN PERMISSION OF HINDLE POWER, INC. IS STRICTLY PROHIBITED.</small>		TITLE <b>EPIC SERIES 2.0 CONSOLE</b> INTERNAL LAYOUT: 0 ELEC. / 1 BATT. SALES ORDER No. N/A	
SCALE 1:10	DWG No. <b>JE5270-51</b>	REV A	SHEET 2 OF 3

REV.	DATE	DESCRIPTION	DWN BY	CHK BY	APP BY
A	6/10/2020	STANDARD DRAWINGS	KJB	ND	ND
REVISIONS					



A-A  
MOUNTING DIMENSIONS



STUB-UP LOCATIONS  
DETAIL B  
SCALE 1 : 8

- NOTES:  
< PARA >
1. MOUNTING DIMENSIONS SHOWN ON DRAWING ARE FINAL. WE RECOMMEND PLACING CONSOLE THEN DRILLING FOR MOUNTING ANCHORS.
  2. ANCHOR BOLTS ARE TO BE HILTI M12 HDA-TR STAINLESS STEEL UNDERCUT (OR EQUIVALENT). HOLE DEPTH TO BE MINIMUM OF 5.3" [135mm], PAD DEPTH TO BE MINIMUM OF 8.0" [203mm]
  3. CONCRETE PAD TO EXTEND A MINIMUM OF 6" [153mm] FROM EDGE OF CABINET ON ALL SIDES. SEE MOUNTING DIMENSIONS BELOW. THE WEIGHT OF THE CONSOLE WITH BATTERIES (SPECIFIED IN PURCHASE ORDER) IS 1333lb [605kg]
  4. CONCRETE PAD TO BE 4000 psi OR GREATER.
  5. ELECTRICAL CONDUIT MAY ENTER FROM UNDERNEATH CABINET, BUT ONLY THROUGH STUB-UP LOCATIONS SHOWN IN DETAIL B.
  6. CONDUIT ENTRY PROVIDED THROUGH SIDE PANEL 10.5in BY 14in GLAND PLATE AVAILABLE FOR KNOCKOUT. KNOCKOUTS MAY NOT BE VISIBLE, USE DIMENSIONS TO VERIFY BREAKAWAY POINTS.

UNLESS OTHERWISE SPECIFIED ALL DIMENSIONS FOLLOW THE AND SYSTEMS (INCHES-FRACTIONS & DECIMALS; TOLERANCES ARE FRACTIONAL UNLESS OTHERWISE SPECIFIED)

PROPERTY AND CONFIDENTIAL NOTICE ANY REPRODUCTION, PARTIAL OR AS A WHOLE, OF THIS DOCUMENT WITHOUT THE WRITTEN PERMISSION OF HINDLE POWER IS STRICTLY PROHIBITED

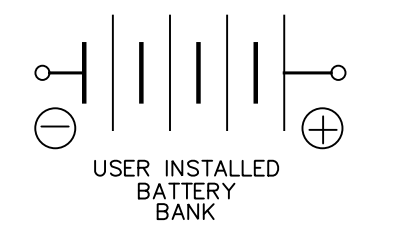
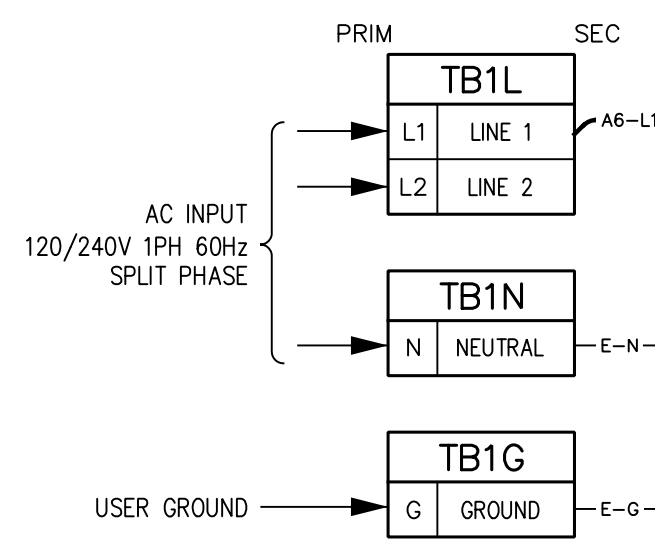
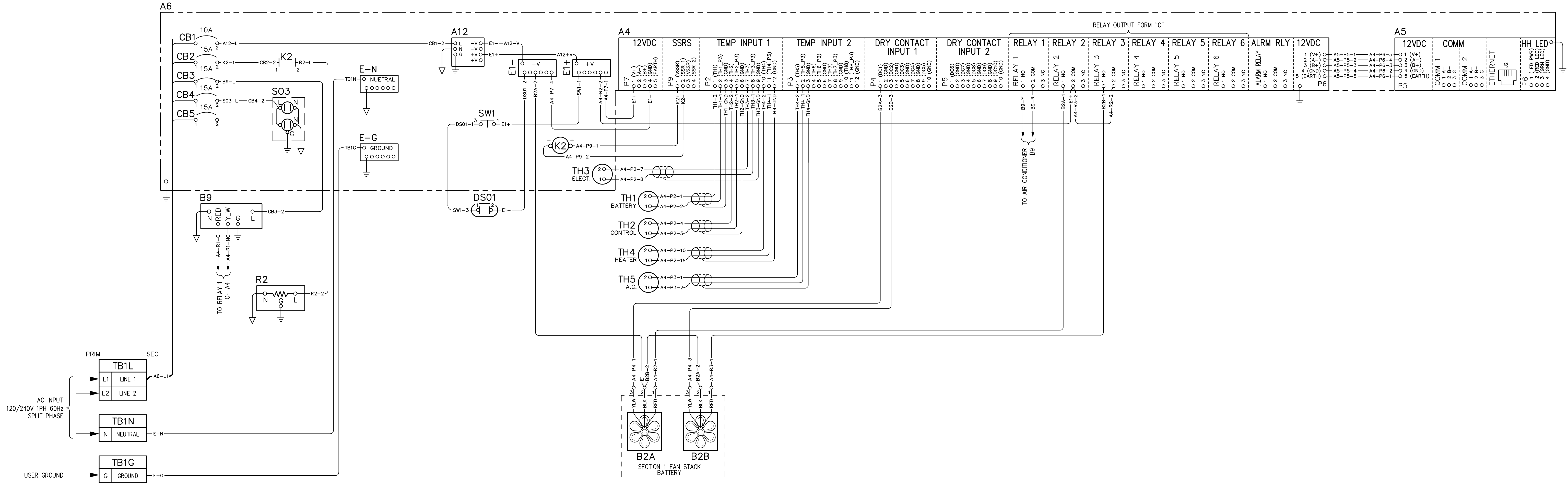
TITLE: EPIC SERIES 2.0 CONSOLE FOUNDATION DRAWINGS SALES ORDER No. N/A

SCALE: 1:10 DWG No. JE5276-51

REV. SHEET: A 3 OF 3

REV.	DATE	DESCRIPTION	DWN BY	CHK BY	APP BY
A	6/10/2020	STANDARD DRAWINGS	KJB	ND	ND
REVISIONS					

C:Hindle Vault\Custom Drawings\CONSOLES 2.1\2.1.1 SEC (w-STND OPT)



EPIC SERIES COMPONENTS

SYMBOL	DESCRIPTION
A1	HYDROGEN DETECTOR
A4	HINDLE HEALTH CONTROLLER
A5	HINDLE HEALTH DISPLAY
A6	EPIC CONTROLLER
A12	12VDC POWER SUPPLY
B#X	VENT FANS
B9	AIR CONDITIONING UNIT
CB1	CIRCUIT BREAKER FOR A12 P/S
CB2	CIRCUIT BREAKER FOR HEATING SYSTEM
CB3	CIRCUIT BREAKER FOR AIR CONDITIONER
CB4	CIRCUIT BREAKER FOR GFI OUTLET
CB5	SPARE CIRCUIT BREAKER
DS01	CONSOLE LED LIGHTS
FX1	12VDC CONNECTION POINTS
E-G	GROUND CONNECTION POINTS
E-N	NEUTRAL CONNECTION POINTS
K2	CONTACTOR FOR HEATING SYSTEM
K3	CONTACTOR FOR AIR CONDITIONER
R2	HEATER SYSTEM
SO3	15A GFI OUTLET
SW1	CONSOLE LED LIGHT SWITCH(ES)
TB1X	AC INPUT TERMINAL BLOCK
TH1	BATTERY THERMAL SENSOR
TH2	CONTROL THERMAL SENSOR
TH3	ELECTRONIC SECTION THERMAL SENSOR
TH4	HEATER THERMAL SENSOR
TH5	AIR CONDITIONER THERMAL SENSOR

LEGEND FOR EPIC LINE

SYMBOL	DESCRIPTION
○	DEVICE TERMINAL
⊙	TERMINAL BLOCK POINT IN TRANSFORMER
⊚	TERMINAL BLOCK POINT FOR SCADA
⊛	TERMINAL BLOCK POINT FOR COMMUNICATIONS
⊜	TERMINAL BLOCK POINT IN POWER CIRCUIT BREAKER
▲	TERMINAL IN A.C. OR D.C. PANELBOARD
—	SHIPPED WITH WIRING INSTALLED
- -	WIRING TO BE INSTALLED

I/O TERMINAL	DESCRIPTION - TYPE	CONNECTION
TB1L,N,G PRIM	LINE 1, LINE 2 AC INPUT / USER NTRL, GND TERMINALS - CU-ALUMINUM COMP LUG	2/0-#14 AWG
TB1L,N,G SEC	LINE 1, LINE 2 AC INPUT / USER NTRL, GND TERMINALS - CU-ALUMINUM COMP LUG	#4-#14 AWG

REV.	DATE	DESCRIPTION	DRN BY	CHK BY	APP BY
A	7/15/2020	STANDARD DRAWINGS	KJB	ND	ND

UNLESS OTHERWISE SPECIFIED ALL DIMENSIONS FOLLOW THE ANSI SYSTEM #1 (INCHES/POUNDS & SECONDS) TOLERANCES ARE: FRACTIONAL DEC. 0.015, ENG 0.025

PROPERTY AND CONFIDENTIAL NOTICE ANY REPRODUCTION, PARTIAL OR AS A WHOLE OF THIS DOCUMENT WITHOUT THE WRITTEN PERMISSION OF HINDLE POWER, INC IS STRICTLY PROHIBITED.

**HINDLE POWER**  
1075 Saint John Street  
Easton, PA 18042-6661  
PH 610-330-9000 FAX 610-330-8810  
www.hindlepowerinc.com

EPIC SERIES 2.0 CONSOLE  
CONNECTION DIAGRAM: 0 ELEC. SECTIONS 1 BATT SECTION  
SALES ORDER NO. N/A

SCALE: DWG No. **JE5272-51** REV. SHEET 1 OF 1