

FOR CHARGERS AT 25-50ADC

- NOTES:
1. WHEN NATURAL LEADS OF MAGNETICS ARE NOT USED, CHARGER COMPONENTS ARE CONNECTED WITH BLACK FLAME-RETARDANT SWITCHBOARD INSULATION SYSTEM (SIS) TYPE WIRING, IDENTIFIED ON EACH END WITH NUMBER-CODED MARKERS. GROUND WIRES ARE GREEN WITH YELLOW STRIPE.
 2. CHARGER COMPONENTS ARE CONNECTED WITH BLACK FLAME-RETARDANT SWITCHBOARD INSULATION SYSTEM TO CONTROL PC BOARDS (A1 & A2). SEE SHEET 2 FOR ALL CONTROL (SIGNAL) WIRING, INCLUDING REMOTE SENSE MODIFICATIONS, IF APPLICABLE.
 3. STANDARD USER ALARM CONTACTS (TB6 [A1], TB1[A2], TB8[A2], etc.) ARE SOLDERLESS COMPRESSION SCREW TERMINALS, ACCEPTING #22-14 AWG WIRE.
 4. FOR MOUNTING OF PC BOARDS (A1, A2, ect.) SEE JE5339-00.

- FEATURED OPTIONS:
- STD DC OUTPUT FILTERING
 - BATTERY ELIMINATOR FILTER CAP
 - AC INPUT CIRCUIT BREAKER
 - DC OUTPUT CIRCUIT BREAKER

REV. 0	DRN BY KJB	CHK BY MCR	APP BY MCR	DATE DATE/0000	DRN BY KJB	DATE DATE/0000
DESCRIPTION				CHK BY MCR	DATE DATE/0000	
STANDARD DRAWINGS.				APP BY MCR	DATE DATE/0000	

1075 Saint John Street
Easton, PA 18042-6661
PH 610-330-9000 FAX 610-330-8510
www.hindlepowerinc.com

HINDLEPOWER

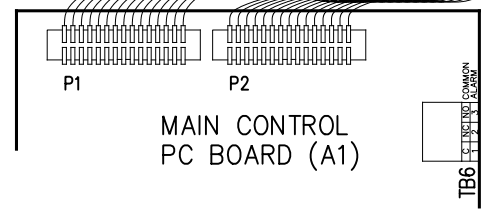
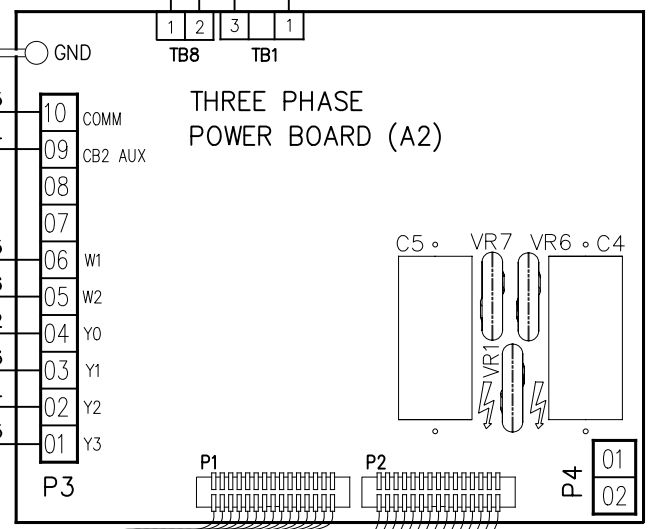
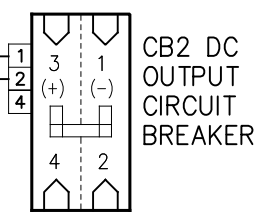
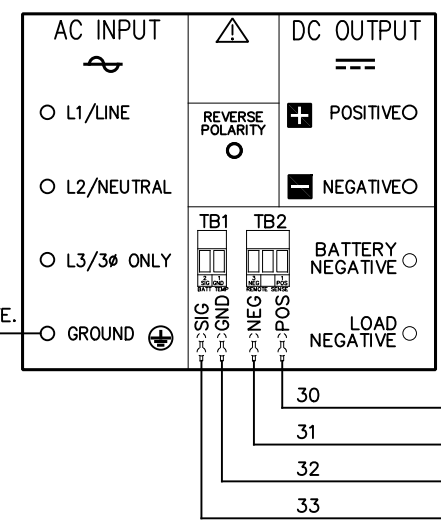
ATEVO BATTERY CHARGER
CONN DIAGRAM: 3Ø STYLE 5070 25-100ADC

B SCALE NTS DWG No JE5335-00

REV 0 SHEET 1 OF 4

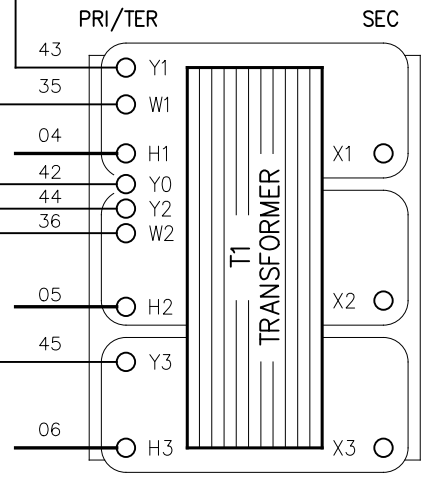
FOR CHARGERS AT 25-50ADC

I/O & MOV BOARD A9



DOOR GROUND

CHASSIS GROUND



NOTES:

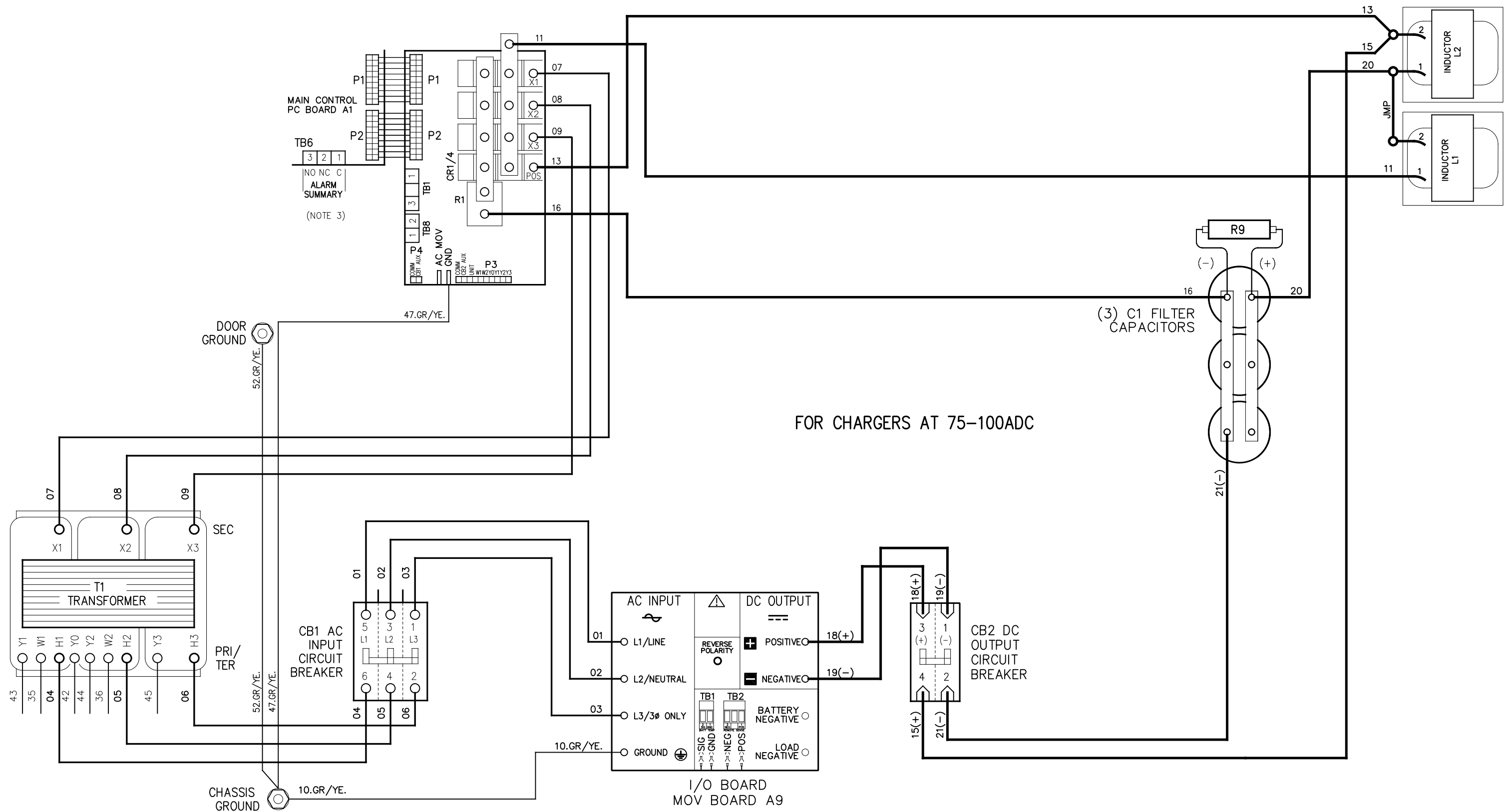
1. WHEN NATURAL LEADS OF MAGNETICS ARE NOT USED, CHARGER COMPONENTS ARE CONNECTED WITH BLACK FLAME-RETARDANT SWITCHBOARD INSULATION SYSTEM (SIS) TYPE WIRING, IDENTIFIED ON EACH END WITH NUMBER-CODED MARKERS. GROUND WIRES ARE GREEN WITH YELLOW STRIPE.
2. CHARGER COMPONENTS ARE CONNECTED WITH BLACK FLAME-RETARDANT SWITCHBOARD INSULATION SYSTEM TO CONTROL PC BOARDS (A1 & A2). SEE SHEET 2 FOR ALL CONTROL (SIGNAL) WIRING, INCLUDING REMOTE SENSE MODIFICATIONS, IF APPLICABLE.
3. STANDARD USER ALARM CONTACTS (TB6 [A1], TB1[A2], TB8[A2], etc.) ARE SOLDERLESS COMPRESSION SCREW TERMINALS, ACCEPTING #22-14 AWG WIRE.
4. FOR MOUNTING OF PC BOARDS (A1, A2, ect.) SEE JE5339-00.

DRN BY KJB	DATE DATE/0000
CHK BY MCR	DATE DATE/0000
APP BY MCR	DATE DATE/0000

HINDLEPOWER
 1075 Saint John Street
 Easton, PA 18042-6661
 PH 610-330-9000 FAX 610-330-8510
 www.hindlepowerinc.com

ATEVO BATTERY CHARGER
CONN DIAGRAM: 3Ø STYLE 5070 25-100ADC

	B	SCALE	DWG No	REV	SHEET
		NTS	JE5335-00	0	2 OF 4



FOR CHARGERS AT 75-100ADC

NOTES:

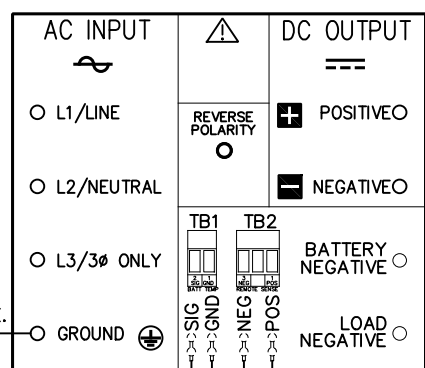
1. WHEN NATURAL LEADS OF MAGNETICS ARE NOT USED, CHARGER COMPONENTS ARE CONNECTED WITH BLACK FLAME-RETARDANT SWITCHBOARD INSULATION SYSTEM (SIS) TYPE WIRING, IDENTIFIED ON EACH END WITH NUMBER-CODED MARKERS. GROUND WIRES ARE GREEN WITH YELLOW STRIPE.
2. CHARGER COMPONENTS ARE CONNECTED WITH BLACK FLAME-RETARDANT SWITCHBOARD INSULATION SYSTEM TO CONTROL PC BOARDS (A1 & A2). SEE SHEET 2 FOR ALL CONTROL (SIGNAL) WIRING, INCLUDING REMOTE SENSE MODIFICATIONS, IF APPLICABLE.
3. STANDARD USER ALARM CONTACTS (TB6 [A1], TB1[A2], TB8[A2], etc.) ARE SOLDERLESS COMPRESSION SCREW TERMINALS, ACCEPTING #22-14 AWG WIRE.
4. FOR MOUNTING OF PC BOARDS (A1, A2, ect.) SEE JE5339-00.

- FEATURED OPTIONS:
- STD DC OUTPUT FILTERING
 - BATTERY ELIMINATOR FILTER CAP
 - AC INPUT CIRCUIT BREAKER
 - DC OUTPUT CIRCUIT BREAKER

REV. 0	DRN BY KJB	CHK BY MCR	APP BY MCR	DATE DATE/0000	DRN BY KJB	DATE DATE/0000	<p>HINDLEPOWER</p> <p>1075 Saint John Street Easton, PA 18042-6661 PH 610-330-9000 FAX 610-330-8510 www.hindlepowerinc.com</p>				
DESCRIPTION STANDARD DRAWINGS.				CHK BY MCR	DATE DATE/0000	TITLE					
				APP BY MCR	DATE DATE/0000	<p>ATEVO BATTERY CHARGER</p> <p>CONN DIAGRAM: 3Ø STYLE 5070 25-100ADC</p>					
				SCALE	NTS	DWG No	JE5335-00	REV	0	SHEET	3 OF 4

FOR CHARGERS AT 75-100ADC

I/O & MOV BOARD A9



10.GR./YE.

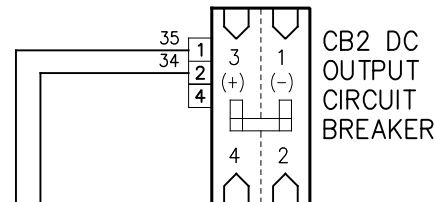
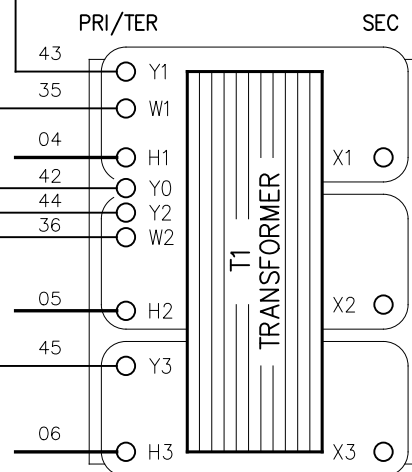
10.GR./YE.

47.GR./YE.

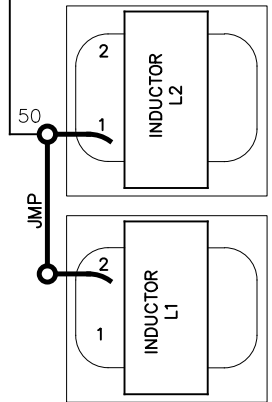
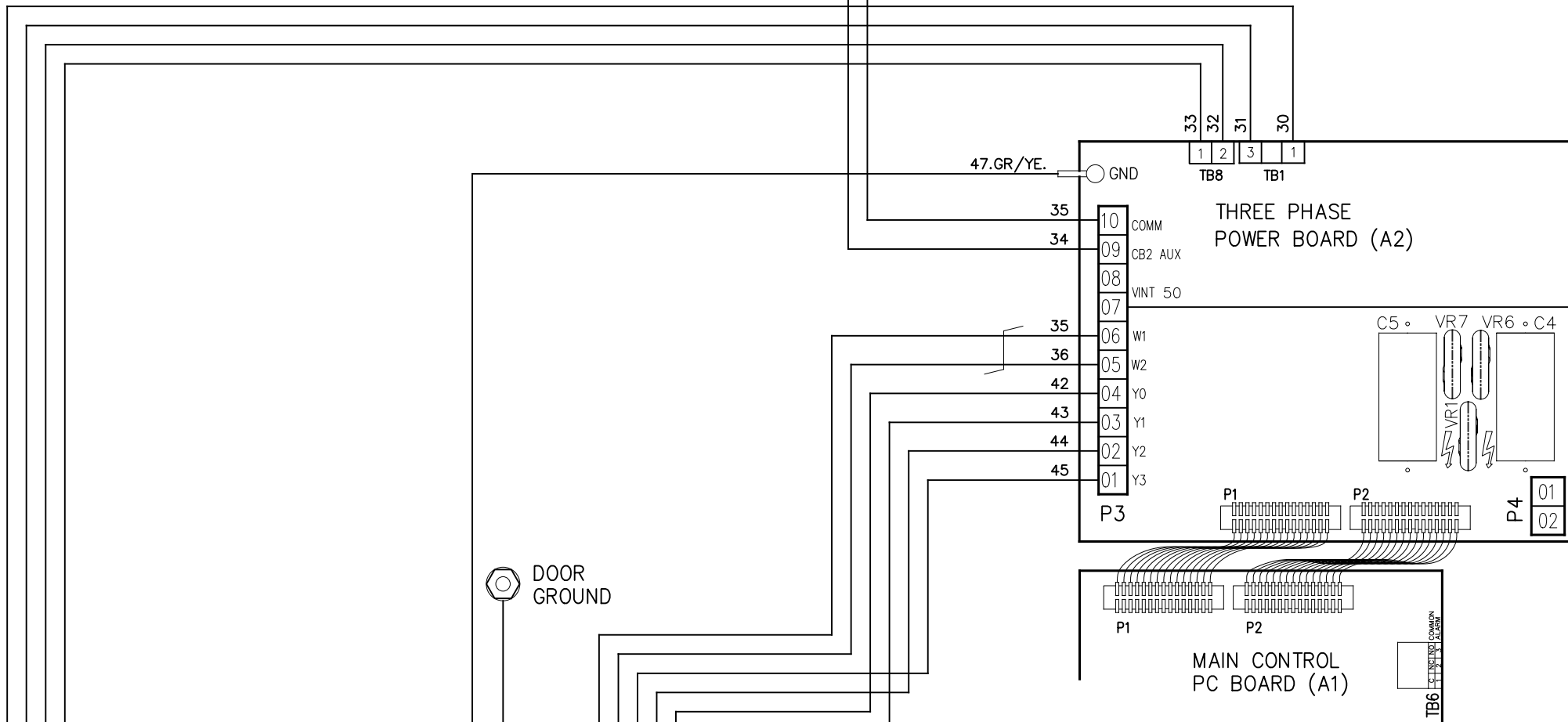
52.GR./YE.

CHASSIS GROUND

DOOR GROUND



CB2 DC OUTPUT CIRCUIT BREAKER



NOTES:

1. WHEN NATURAL LEADS OF MAGNETICS ARE NOT USED, CHARGER COMPONENTS ARE CONNECTED WITH BLACK FLAME-RETARDANT SWITCHBOARD INSULATION SYSTEM (SIS) TYPE WIRING, IDENTIFIED ON EACH END WITH NUMBER-CODED MARKERS. GROUND WIRES ARE GREEN WITH YELLOW STRIPE.
2. CHARGER COMPONENTS ARE CONNECTED WITH BLACK FLAME-RETARDANT SWITCHBOARD INSULATION SYSTEM TO CONTROL PC BOARDS (A1 & A2). SEE SHEET 2 FOR ALL CONTROL (SIGNAL) WIRING, INCLUDING REMOTE SENSE MODIFICATIONS, IF APPLICABLE.
3. STANDARD USER ALARM CONTACTS (TB6 [A1], TB1[A2], TB8[A2], etc.) ARE SOLDERLESS COMPRESSION SCREW TERMINALS, ACCEPTING #22-14 AWG WIRE.
4. FOR MOUNTING OF PC BOARDS (A1, A2, ect.) SEE JE5339-00.

DRN BY KJB	DATE DATE/0000
CHK BY MCR	DATE DATE/0000
APP BY MCR	DATE DATE/0000

HINDLEPOWER

1075 Saint John Street
Easton, PA 18042-6661
PH 610-330-9000 FAX 610-330-8510
www.hindlepowerinc.com

ATEVO BATTERY CHARGER
CONN DIAGRAM: 3 ϕ STYLE 5070 25-100ADC



B

SCALE NTS DWG No JE5335-00

REV 0 SHEET 4 OF 4