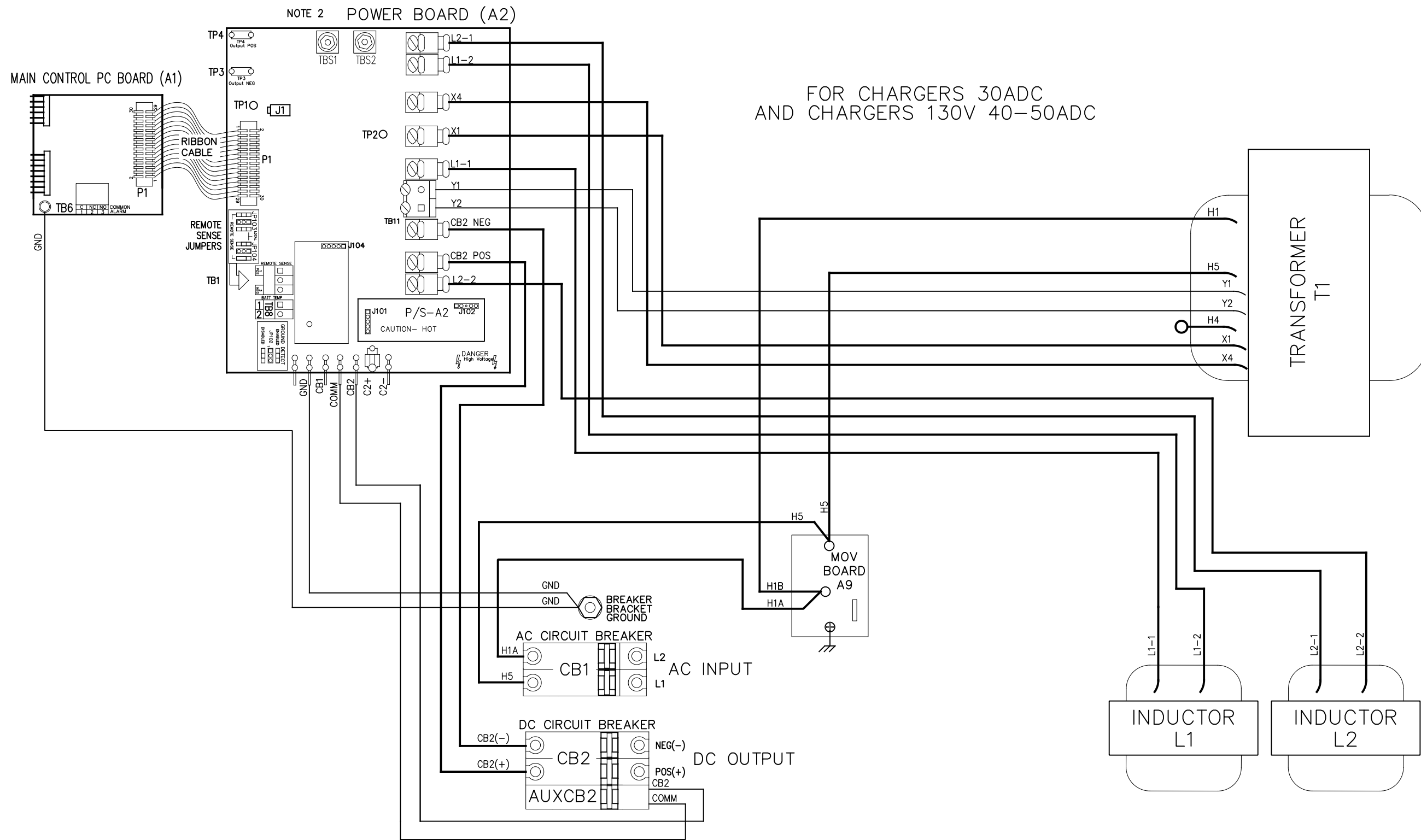


NOTES:

1. WHEN NATURAL LEADS OF MAGNETICS ARE NOT USED, CHARGER COMPONENTS ARE CONNECTED WITH BLACK FLAME-RETARDANT SWITCHBOARD INSULATION SYSTEM (SIS) TYPE WIRING, IDENTIFIED ON EACH END WITH NUMBER-CODED MARKERS. GROUND WIRES ARE GREEN WITH YELLOW STRIPE.
2. FOR MOUNTING OF PC BOARDS (A7, A4, ect.) SEE PAGE 2 OF JE5253-00.

REV: 0	DRN BY: KJB	CHK BY: MCR	APP BY: MCR	DATE: 1/21/2020	DRN BY: KJB	DATE: 1/21/2020	<p><b>HINDLEPOWER</b></p> <p>1075 Saint John Street Easton, PA 18042-6661 PH 610-330-9000 FAX 610-330-8510 www.hindlepowerinc.com</p>
DESCRIPTION STANDARD DRAWINGS.					CHK BY: MCR	DATE: 1/21/2020	
PROPERTY AND CONFIDENTIAL NOTICE ANY REPRODUCTION, PARTIAL OR AS A WHOLE OF THIS DOCUMENT WITHOUT THE WRITTEN PERMISSION OF HINDLE POWER, INC IS STRICTLY PROHIBITED.					APP BY: MCR	DATE: 1/21/2020	
TITLE ATEVO BATTERY CHARGER CONN DIAGRAM: 6-50ADC							
		<b>B</b>	SCALE NTS	DWG No JE5255-00	REV 0	SHEET 1 OF 2	



NOTES:

1. WHEN NATURAL LEADS OF MAGNETICS ARE NOT USED, CHARGER COMPONENTS ARE CONNECTED WITH BLACK FLAME-RETARDANT SWITCHBOARD INSULATION SYSTEM (SIS) TYPE WIRING, IDENTIFIED ON EACH END WITH NUMBER-CODED MARKERS. GROUND WIRES ARE GREEN WITH YELLOW STRIPE.
2. FOR MOUNTING OF PC BOARDS (A7, A4, ect.) SEE PAGE 2 OF JE5253-00.

REV: 0	DRN BY: KJB	CHK BY: MCR	APP BY: MCR	DATE: 1/21/2020	DRN BY: KJB	DATE: 1/21/2020
DESCRIPTION				CHK BY: MCR	DATE: 1/21/2020	
STANDARD DRAWINGS.				APP BY: MCR	DATE: 1/21/2020	
PROPERTY AND CONFIDENTIAL NOTICE						
ANY REPRODUCTION, PARTIAL OR AS A WHOLE OF THIS DOCUMENT WITHOUT THE WRITTEN PERMISSION OF HINDLE POWER, INC IS STRICTLY PROHIBITED.						

	<b>HINDLEPOWER</b>		1075 Saint John Street Easton, PA 18042-6661 PH 610-330-9000 FAX 610-330-8510 www.hindlepowerinc.com	
	<b>ATEVO BATTERY CHARGER</b> CONN DIAGRAM: 6-50ADC			
<b>B</b>	SCALE NTS	DWG No <b>JE5255-00</b>	REV 0	SHEET 2 OF 2