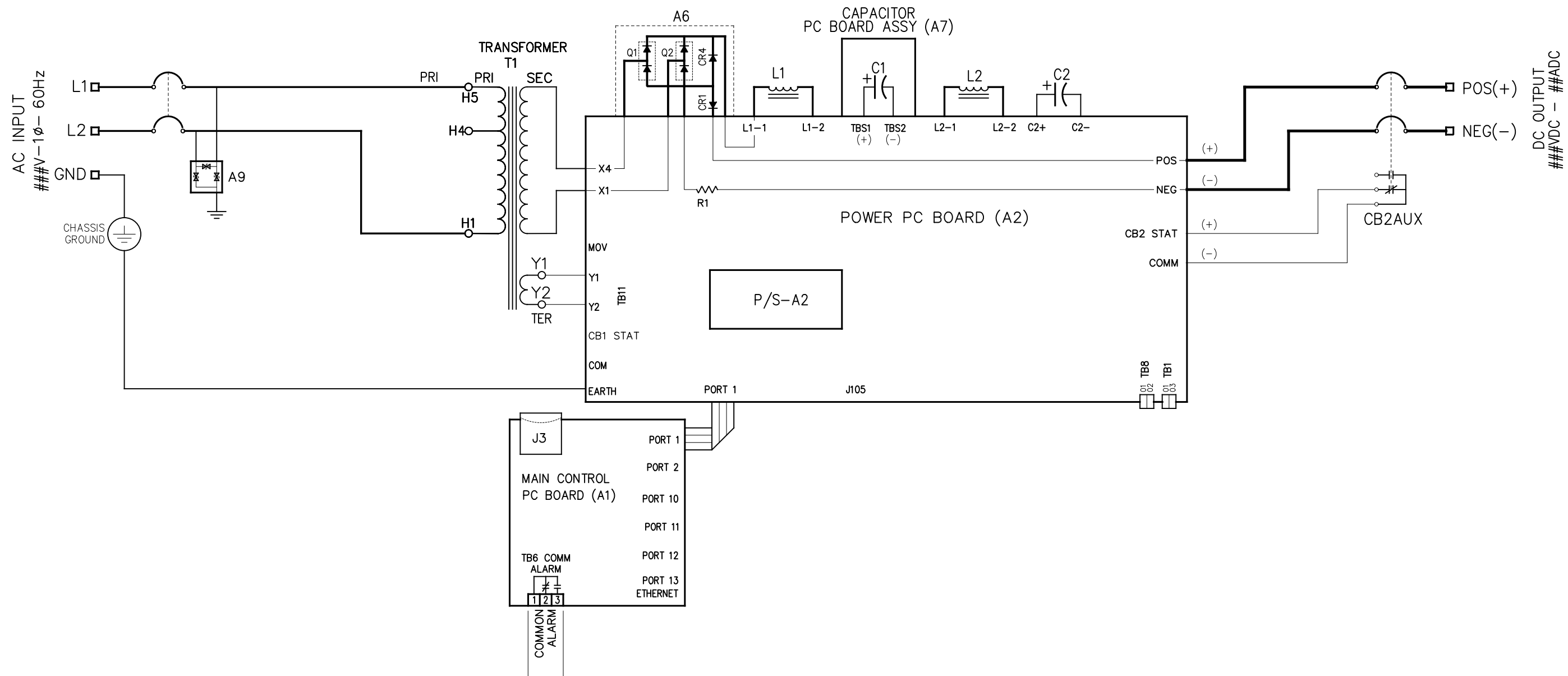


NOTES:

1. FOR PHYSICAL COMPONENT FEATURES OF PC BOARDS (A1, A2, A4, A7 etc.) SEE DETAIL DRAWING JE5253-199640.
2. ALL ALARM CONTACTS SHOWN IN NON-ALARM STATE, WITH CHARGER ENERGIZED AND ALARM RELAYS ENERGIZED (FAIL SAFE). ALL ALARM CONTACTS WILL CHANGE STATE WHEN CHARGER IS POWERED DOWN. CONTACT RATING IS: 0.5A @ 125VAC/VDC RESISTIVE.

REV. 0	DRN BY KJB	CHK BY MCR	APP BY MCR	DATE 12/10/19	DRN BY KJB	DATE 12/10/19
DESCRIPTION				STANDARD DRAWINGS.	CHK BY MCR	DATE 12/10/19
				APP BY MCR	DATE 12/10/19	
PROPERTY AND CONFIDENTIAL NOTICE				ANY REPRODUCTION, PARTIAL OR AS A WHOLE OF THIS DOCUMENT WITHOUT THE WRITTEN PERMISSION OF HINDLE POWER, INC IS STRICTLY PROHIBITED.		

		1075 Saint John Street Easton, PA 18042-6661 PH 610-330-9000 FAX 610-330-8510 www.hindlepowerinc.com	
		TITLE ATEVO BATTERY CHARGER SCHEMATIC: WITHOUT OPTIONS 6-25ADC	
B	SCALE	NTS	DWG No
	JE5254-00		REV 0 SHEET 1 OF 2



NOTES:

1. FOR PHYSICAL COMPONENT FEATURES OF PC BOARDS (A1, A2, A4, A7 etc.) SEE DETAIL DRAWING JE5253-199640.
2. ALL ALARM CONTACTS SHOWN IN NON-ALARM STATE, WITH CHARGER ENERGIZED AND ALARM RELAYS ENERGIZED (FAIL SAFE). ALL ALARM CONTACTS WILL CHANGE STATE WHEN CHARGER IS POWERED DOWN. CONTACT RATING IS: 0.5A @ 125VAC/VDC RESISTIVE.

REV. 0	DRN BY KJB	CHK BY MCR	APP BY MCR	DATE 12/10/19	DRN BY KJB	DATE 12/10/19	HINDLEPOWER 1075 Saint John Street Easton, PA 18042-6661 PH 610-330-9000 FAX 610-330-8510 www.hindlepowerinc.com
DESCRIPTION STANDARD DRAWINGS.					CHK BY MCR	DATE 12/10/19	
PROPERTY AND CONFIDENTIAL NOTICE ANY REPRODUCTION, PARTIAL OR AS A WHOLE OF THIS DOCUMENT WITHOUT THE WRITTEN PERMISSION OF HINDLE POWER, INC IS STRICTLY PROHIBITED.					APP BY MCR	DATE 12/10/19	
					TITLE ATEVO BATTERY CHARGER SCHEMATIC: WITHOUT OPTIONS 30-75ADC		SCALE NTS
					DWG No JE5254-00		REV 0 SHEET 2 OF 2