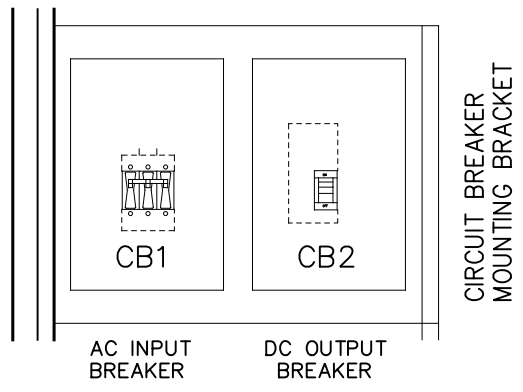
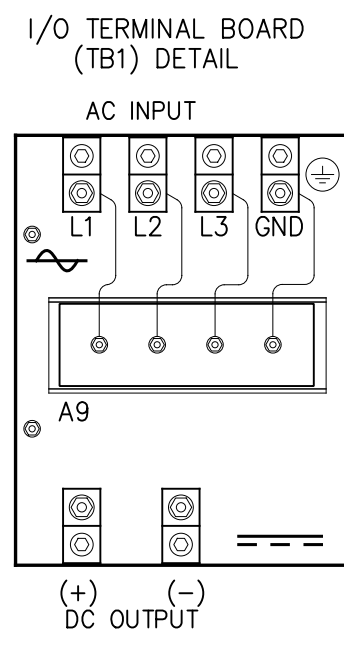
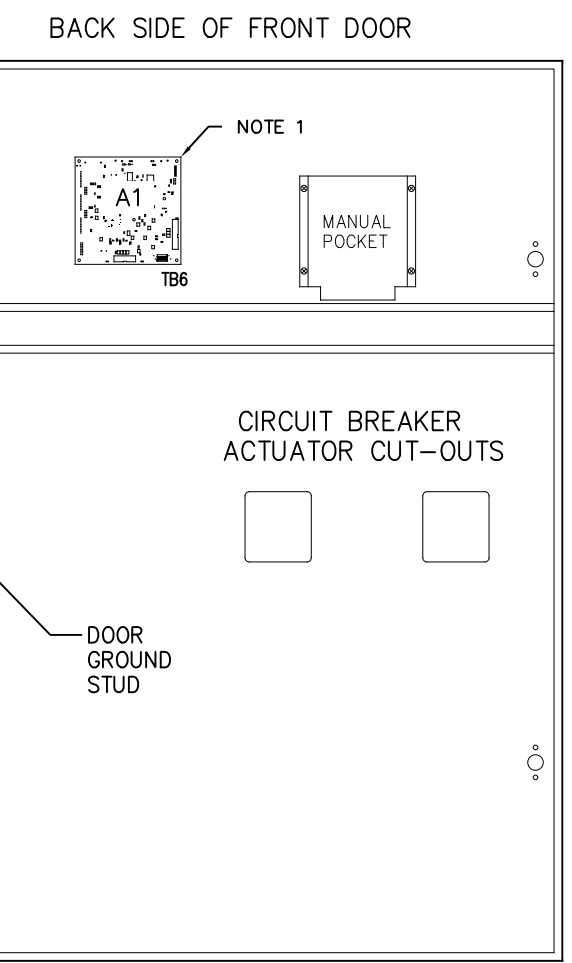
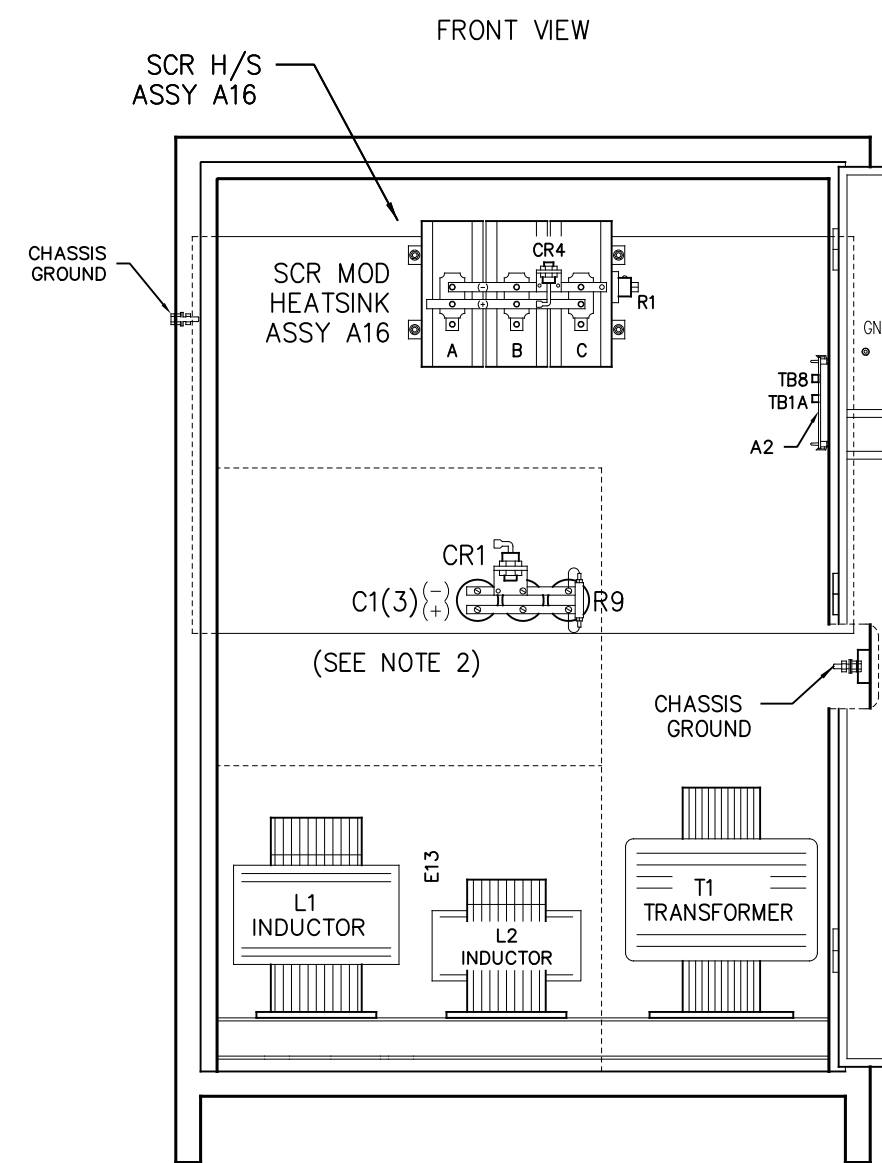
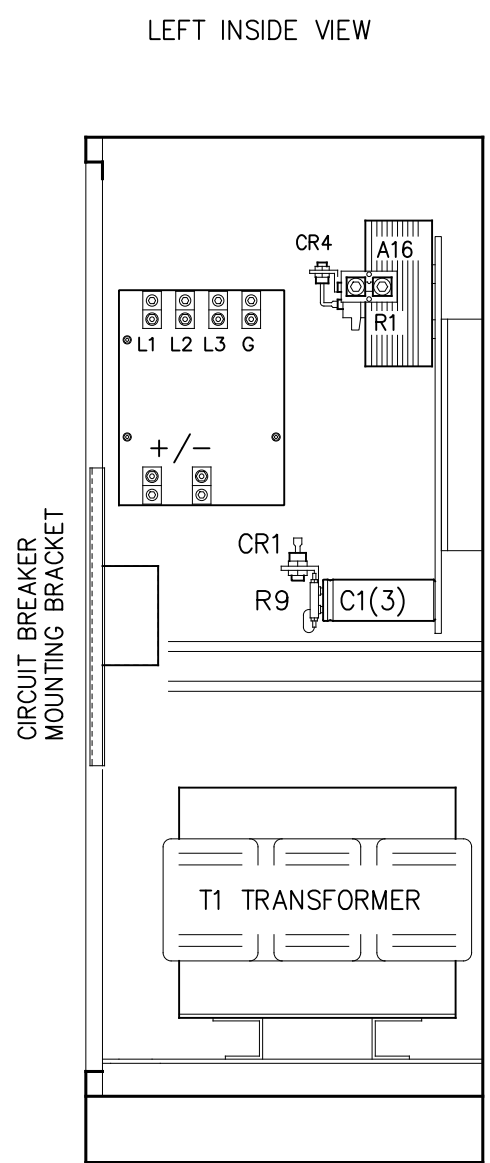


SYM STANDARD COMPONENT DESCRIPTION

A1	MAIN CONTROL PC BOARD
A2	POWER BOARD
A9	MOV PC BOARD
A16	3PH SCR MODULE ASSY (1x6 Q1-Q6)
CB1	AC INPUT CIRCUIT BREAKER (CD3)
CB2	DC OUTPUT CIRCUIT BREAKER (FL2)
CR4	FREE-WHEELING DIODE
L1	MAIN INDUCTOR
R1	MAIN DC SHUNT, NEG(-) BUS
S2x	SCR MODULE (A16) THERMOSTAT
T1	POWER ISOLATION TRANSFORMER
TB1	INPUT TERMINAL BOARD
TB6	SUMMARY ALARM CONTACTS
TB8	OPT. TEMPCO PROBE TERM BLOCK



I/O TERMINAL	DESCRIPTION - TYPE	CONNECTION
TB1(+)	POS(+) DC OUTPUT TERMINAL - CU-ALUMINUM COMPRESSION LUG	#6 AWG-350 MCM
TB1(-)	NEG(-) DC OUTPUT TERMINAL - CU-ALUMINUM COMPRESSION LUG	#6 AWG-350 MCM
TB1-GND	USER GROUND TERMINAL - CU-ALUMINUM COMPRESSION LUG	#6 AWG-350 MCM
TB1-L1/L2/L3	AC INPUT TERMINALS - CU-ALUMINUM COMPRESSION LUG	#6 AWG-350 MCM

- NOTES:
- 1) FOR DETAIL VIEWS OF ALL PC BOARDS (A1, A2, etc.) SEE DRAWING JE5333-99.
 - 2) CIRCUIT BREAKER(S) MOUNTED ON LEFT SIDE BRACKET, NOT SHOWN FOR CLARITY OF VIEW.

REV. 0	DRN BY KJB	CHK BY MCR	APP BY MCR	DATE 11/19/19	DRN BY KJB	DATE 11/19/19	<p>HINDLEPOWER</p> <p>1075 Saint John Street Easton, PA 18042-6661 PH 610-330-9000 FAX 610-330-8510 www.hindlepowerinc.com</p>
DESCRIPTION STANDARD DRAWINGS.					CHK BY MCR	DATE 11/19/19	
					CHK BY MCR	DATE 11/19/19	
TITLE ATEVO BATTERY CHARGER INTERNAL COMPONENT LAYOUT: STYLE-198						SCALE NTS	DWG No JE5362-00
						REV 0	SHEET 1 OF 1