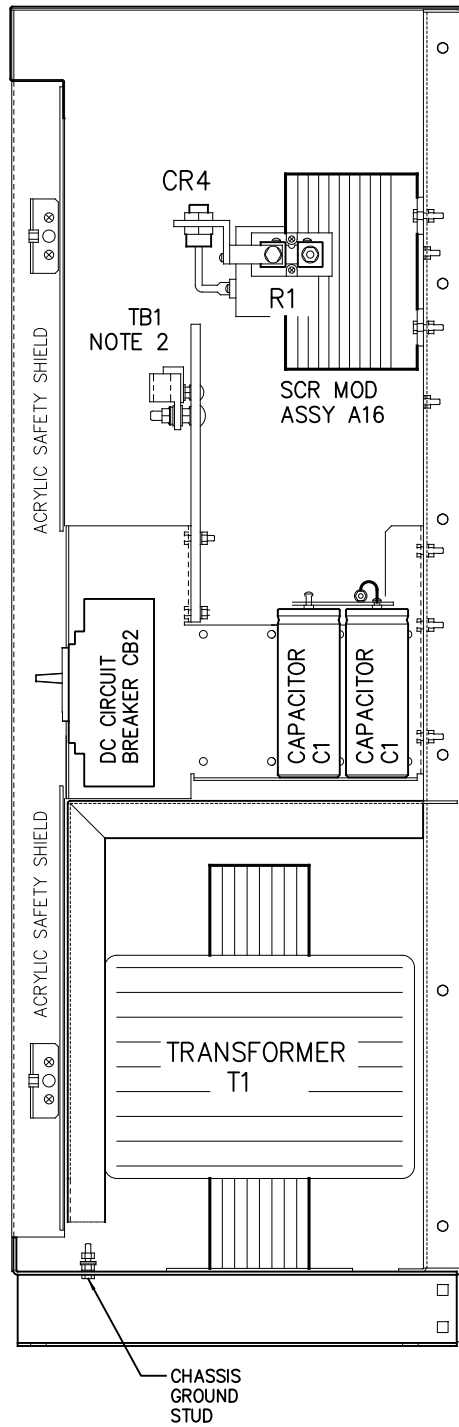
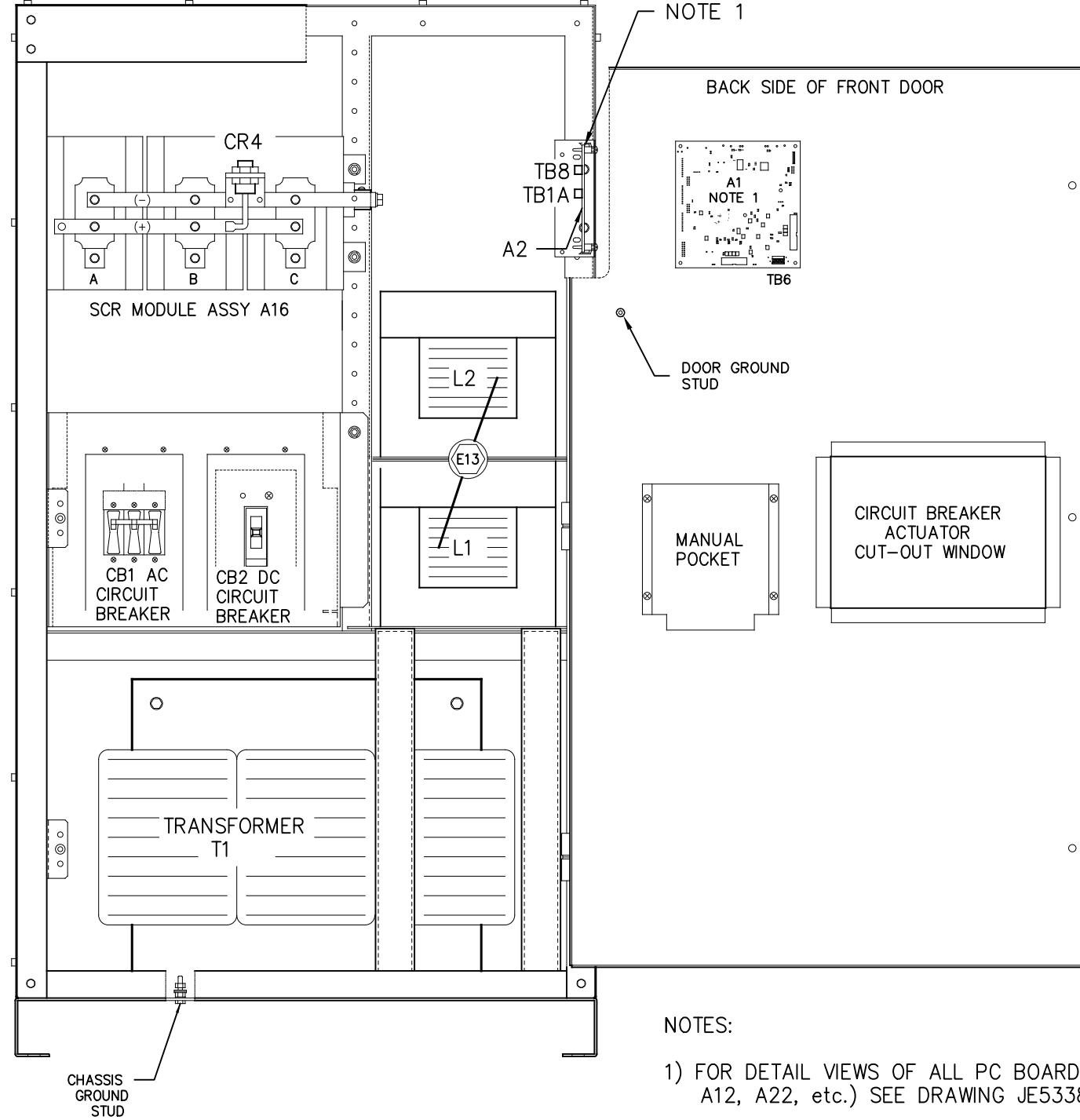


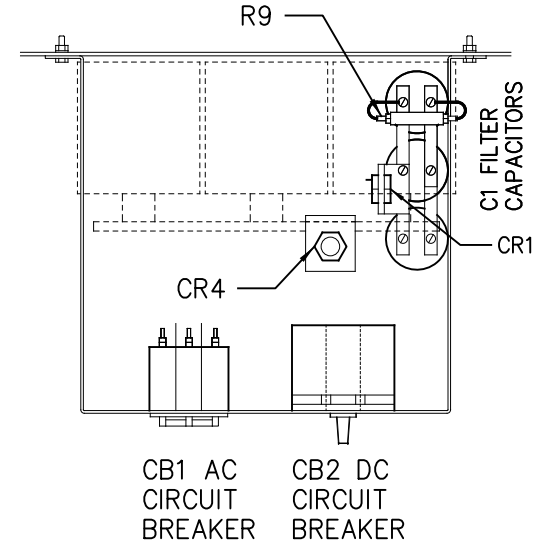
SIDE SECTION



FRONT VIEW



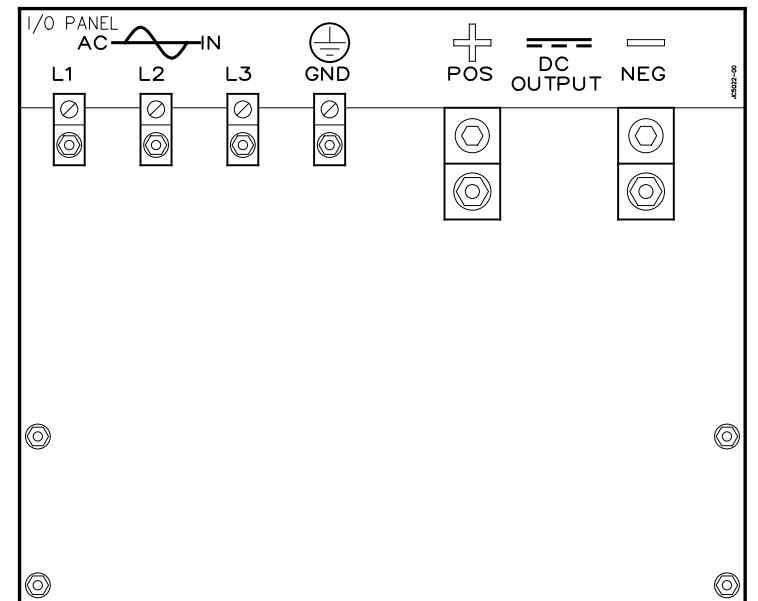
TOP VIEW OF CIRCUIT BREAKER MOUNTING BRACKET



SYM STANDARD COMPONENT DESCRIPTION

- A1 MAIN CONTROL PC BOARD
- A2 POWER BOARD
- A9 MOV PC BOARD
- A16 3PH SCR MODULE ASSY (1x6 Q1-06)
- B2x SCR MODULE (A16) COOLING FAN
- C1x DC OUTPUT FILTER CAPACITOR
- CB1 AC INPUT CIRCUIT BREAKER (CD)
- CB2 DC OUTPUT CIRCUIT BREAKER (HJ)
- CR1 POLARITY DIODE
- CR4 FREE-WHEELING DIODE
- E13 INDUCTOR INTER-CONNECT POINT
- L1 MAIN INDUCTOR
- L2 FILTER INDUCTOR
- R1 MAIN DC SHUNT, NEG(-) BUS
- R9 FILTER CAP (C1) BLEED RESISTOR
- R28x THERMOSTAT (S2x) SENSE RESISTOR
- S2x SCR MODULE (A16) THERMOSTAT
- T1 POWER ISOLATION TRANSFORMER
- TB1 INPUT TERMINAL BOARD
- TB6 SUMMARY ALARM CONTACTS
- TB8 OPT. TEMP/CO PROBE TERM BLOCK

I/O TERMINAL BOARD DETAIL



NOTES:

- 1) FOR DETAIL VIEWS OF ALL PC BOARDS (A1, A2, A4 A12, A22, etc.) SEE DRAWING JE5338-99
- 2) I/O PANEL TERMINAL BOARD NOT SHOWN FOR CLARITY OF VIEW. SEE DETAIL TO RIGHT.

I/O TERMINAL	DESCRIPTION - TYPE	CONNECTION
I/O(+/-)	POS/NEG DC OUTPUT TERMS - CU-ALUMINUM COMPRESSION LUG	#6 AWG-350 MCM
I/O-GND	USER GROUND TERMINAL - CU-ALUMINUM COMPRESSION LUG	#14-1/0 AWG
I/O-L1/L2/L3	AC INPUT TERMINALS - CU-ALUMINUM COMPRESSION LUG	#14-1/0 AWG

REV. 0	DRN BY KJB	CHK BY MCR	APP BY MCR	DATE 11/15/19	DRN BY KJB	DATE 11/15/19
DESCRIPTION				CHK BY MCR	DATE 11/15/19	
STANDARD DRAWINGS.				CHK BY MCR	DATE 11/15/19	

HINDLEPOWER

1075 Saint John Street
Easton, PA 18042-6661
PH 610-330-9000 FAX 610-330-8510
www.hindlepowerinc.com

TITLE
**ATEVO 3PH BATTERY CHARGER
INTERNAL COMPONENT LAYOUT: STYLE-5030**

SCALE DWG No
NTS JE5338-00

REV 0 SHEET 1 OF 1