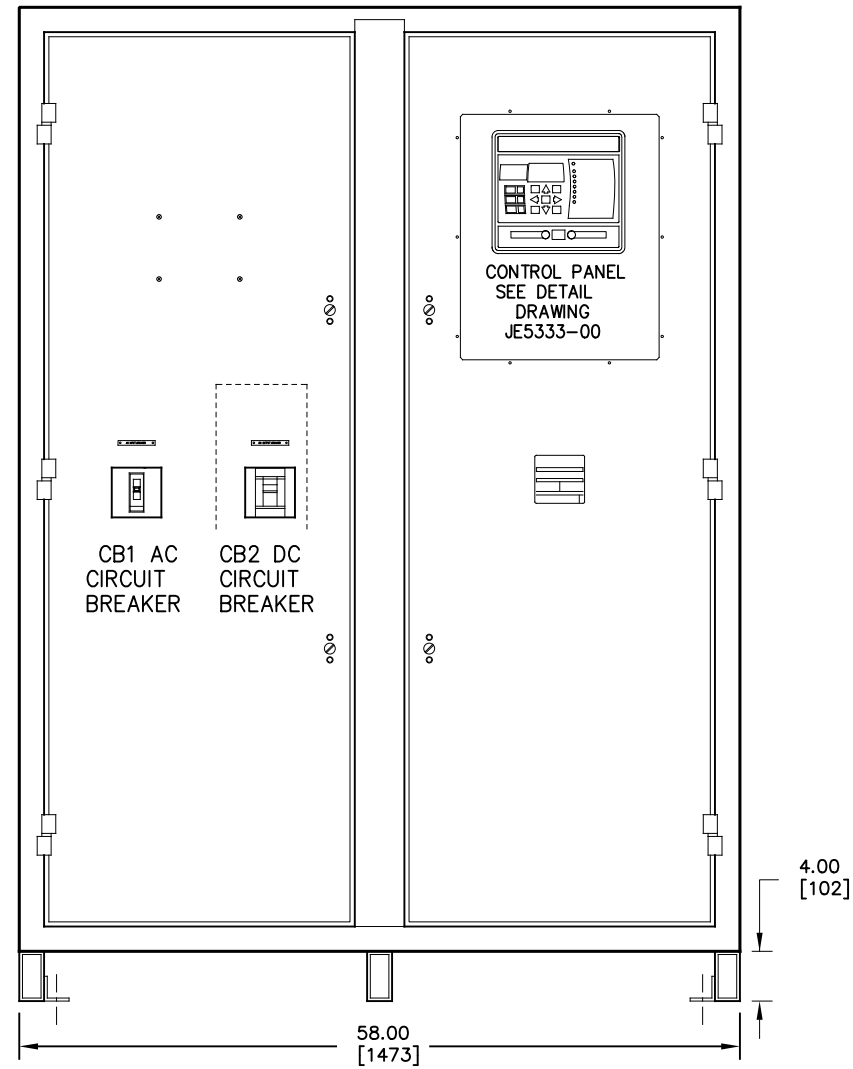
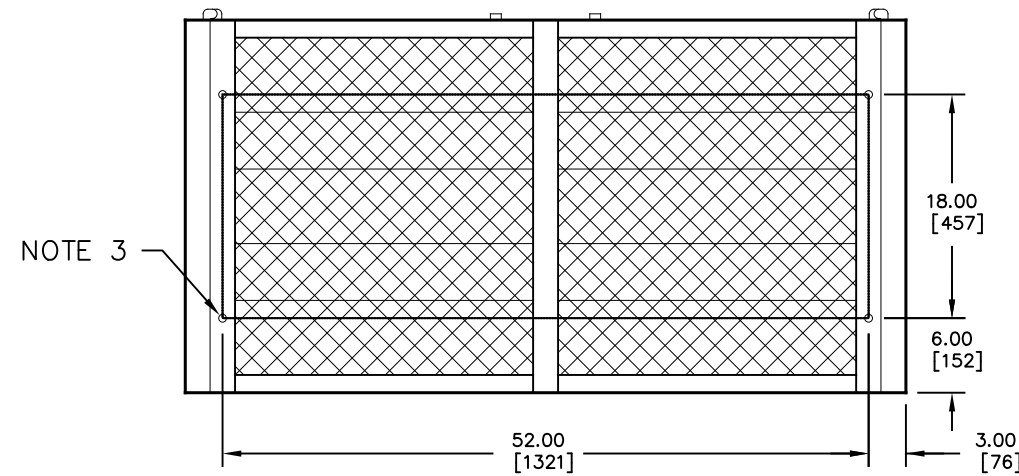
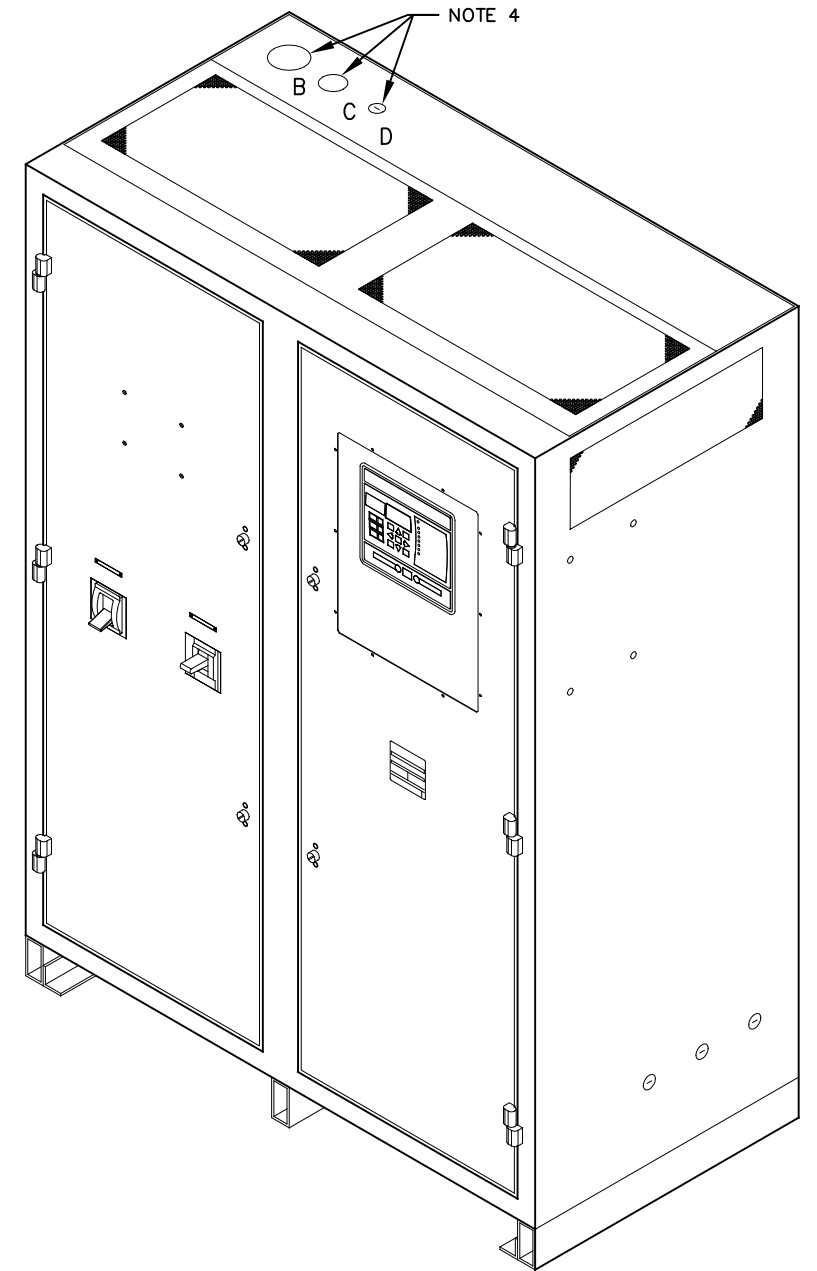
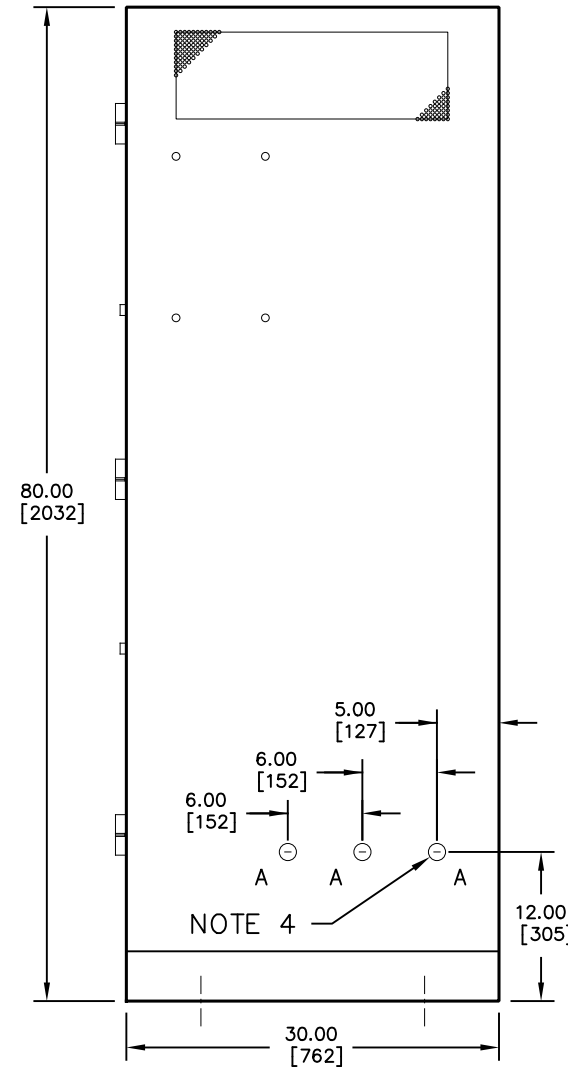


FRONT VIEW



RIGHT SIDE VIEW



BOTTOM VIEW

NOTES:

- 1) ENCLOSURE IS A NEMA TYPE 1 / IP20 TOP-VENTED STEEL CABINET WITHOUT GASKETS. FINISH IS ANSI-61 GRAY EPOXY POWDERCOAT.
- 2) ALLOW 12in / 305mm OF FREE AIR ON ALL VENTED SURFACES (TOP, SIDES & REAR) FOR COOLING.
- 3) FOUR (4) 0.625in / 16mm FLOOR-MOUNTING HOLES ARE PROVIDED ON BOTTOM OF ENCLOSURE AS SHOWN.
- 4) NINE (9) STANDARD PRE-FAB CONDUIT KNOCKOUTS ARE PROVIDED AS SHOWN FOR CABLE ENTRY. BOTTOM CONDUIT ENTRY IS POSSIBLE THROUGH EXPANDED METAL UNDERSIDE. IF ADDITIONAL CONDUIT ENTRANCES ARE REQUIRED, ENCLOSURE SHOULD BE FIELD-MODIFIED BY INSTALLER.
- 5) BATTERY CHARGER SHIPPING WEIGHT: SEE PRODUCT LITERATURE.

| HOLE | DIA.           | QTY. | APPLICATION   |
|------|----------------|------|---|
| A    | 1.313<br>33.34 | 6    | PRE-FAB CONDUIT KNOCKOUT FOR SML CABLE (BOTH SIDES) |
| B    | 3.500<br>88.90 | 1    | PRE-FAB CONDUIT KNOCKOUT FOR LRG CABLE (TOP SIDE)   |
| C    | 2.375<br>60.33 | 1    | PRE-FAB CONDUIT KNOCKOUT FOR MED CABLE (TOP SIDE)   |
| D    | 1.313<br>33.34 | 1    | PRE-FAB CONDUIT KNOCKOUT FOR SML CABLE (TOP SIDE)   |

|                                   |            |            |            |               |            |                |
|-----------------------------------|------------|------------|------------|---------------|------------|----------------|
| REV. 0                            | DRN BY KJB | CHK BY MCR | APP BY MCR | DATE 11/15/19 | DRN BY KJB | DATE: 11/15/19 |
| DESCRIPTION<br>STANDARD DRAWINGS. |            |            |            |               | CHK BY MCR | DATE: 11/15/19 |
|                                   |            |            |            |               | CHK BY MCR | DATE: 11/15/19 |

1075 Saint John Street  
Easton, PA 18042-6661  
PH 610-330-9000 FAX 610-330-8510  
www.hindlepowerinc.com

**HINDLEPOWER**

TITLE  
**ATEVO BATTERY CHARGER  
OUTLINE: NEMA-1 STYLE-198 ENCL**

**B** SCALE NTS DWG No JE5351-00

REV 0 SHEET 1 OF 1

DUAL DIMENSIONS in mm