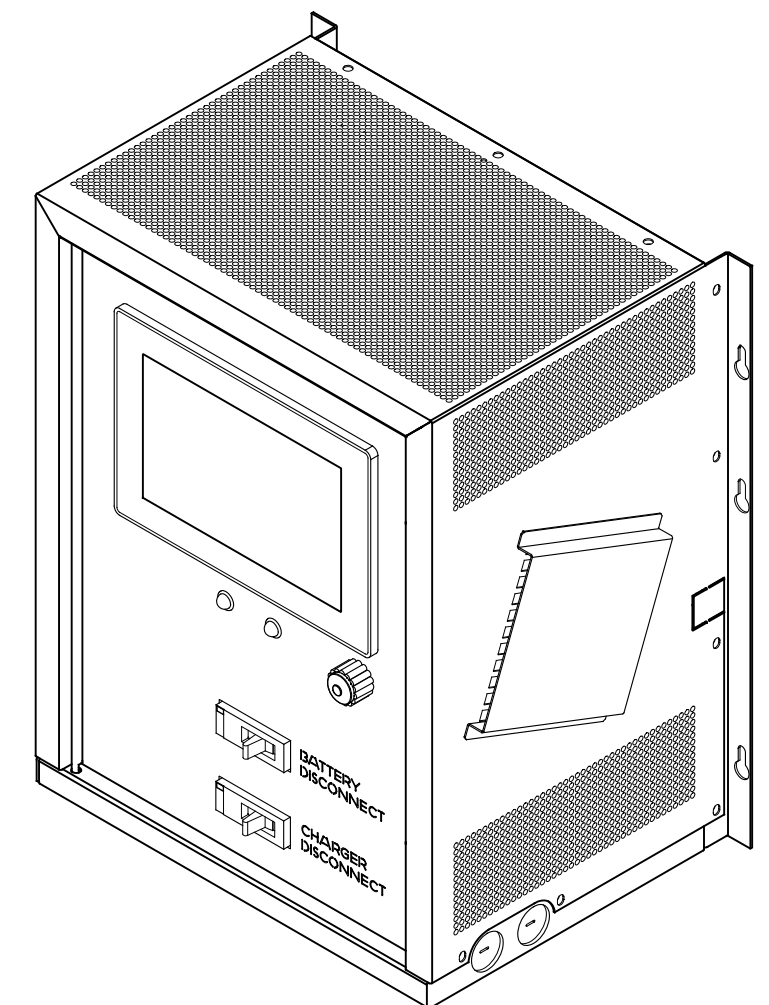
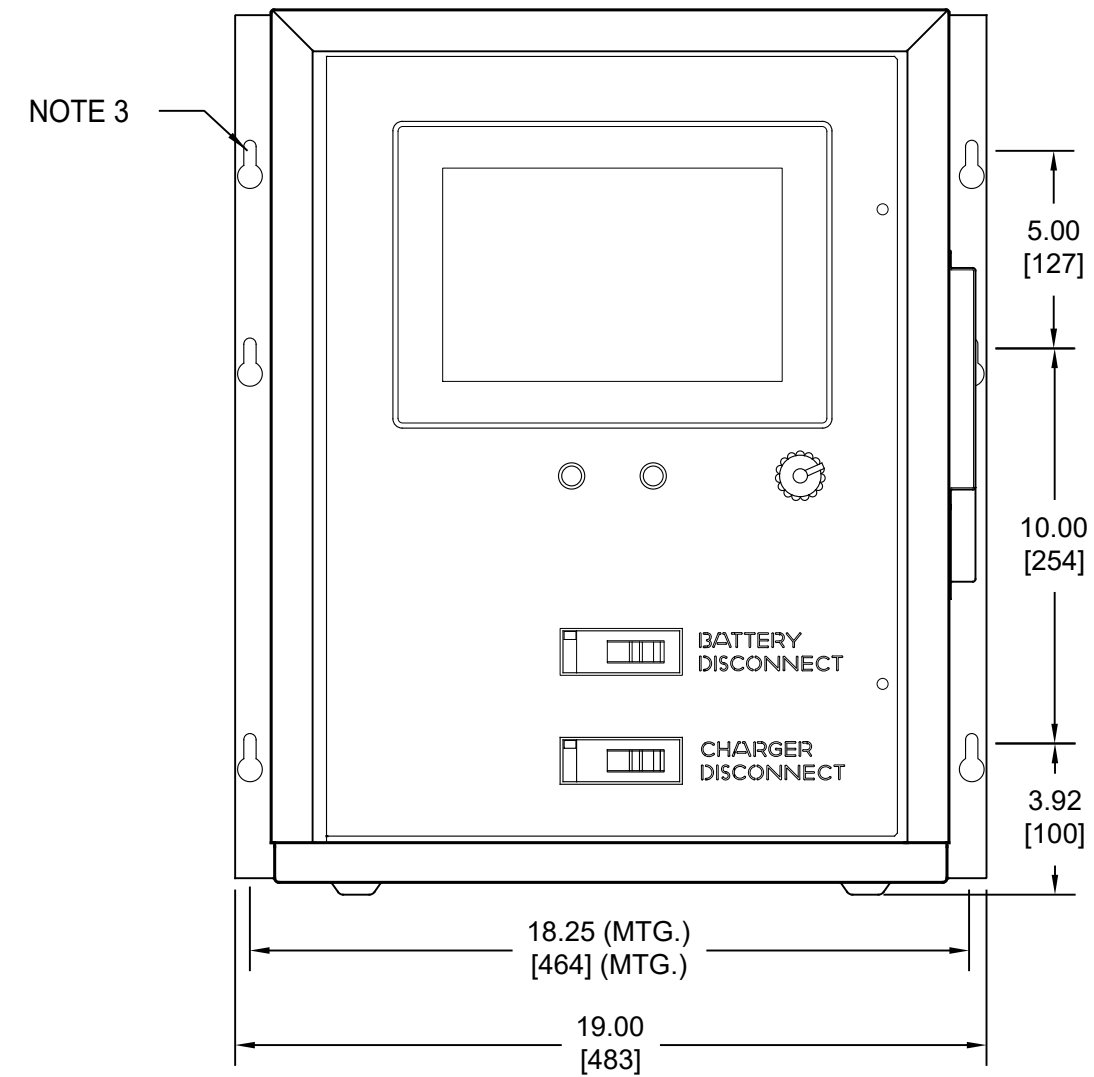


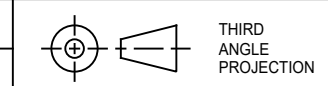
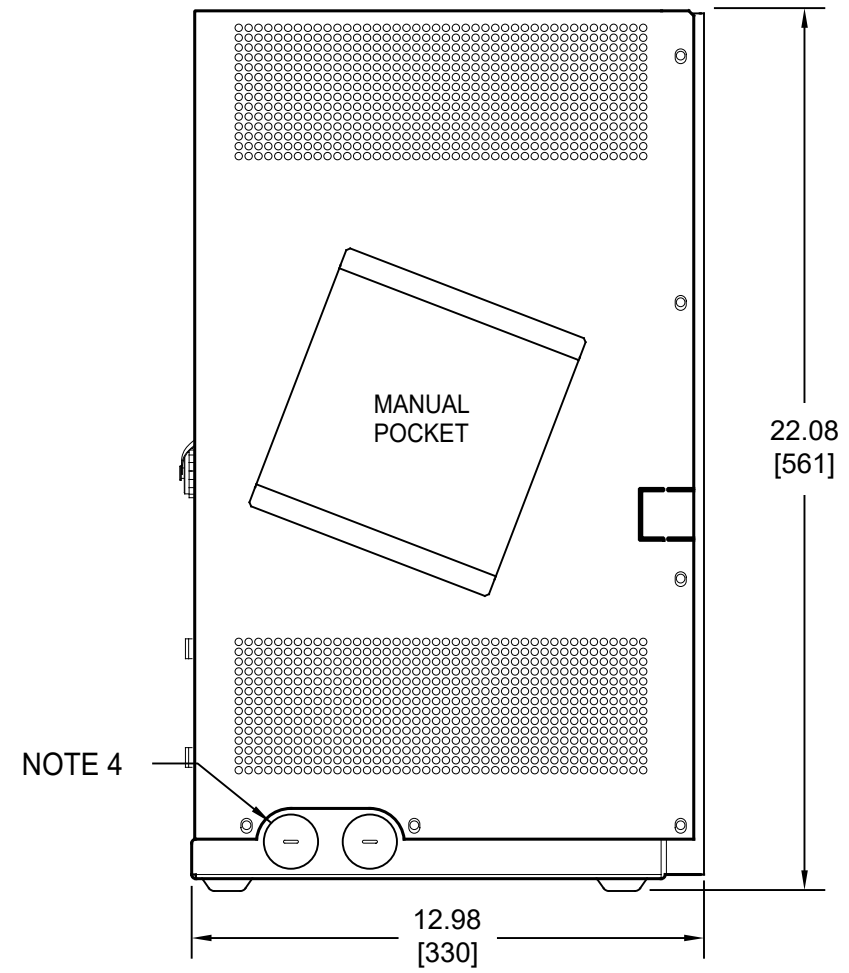
- NOTES:
- 1) ENCLOSURE IS A NEMA TYPE 1 / IP20 TOP VENTED STEEL CABINET WITHOUT GASKETS. FINISH IS ANSI-61 GRAY EPOXY POWDERCOAT.
 - 2) ALLOW 6in / 152mm OF FREE AIR ON ALL VENTED SURFACES (TOP & SIDES) OF CABINET FOR COOLING.
 - 3) SIX (6) KEY-HOLE SLOTS ARE PROVIDED ON BACK OF ENCLOSURE AS SHOWN, FOR WALL-MOUNTING WITH 0.25in/6.25mm HARDWARE.
 - 4) EIGHT (8) 1.31in / 33mm DIA STANDARD PRE-FAB KNOCKOUTS ARE PROVIDED, AS SHOWN FOR UP TO 1in / 25mm CONDUIT. IF ADDITIONAL CONDUIT ENTRANCES ARE REQUIRED BY USER, ENCLOSURE SHOULD BE FIELD-MODIFIED BY INSTALLER.
 - 5) DC SYSTEM MONITOR SHIPPING WEIGHT: APPROXIMATELY 51 lbs / 23 kg



FRONT VIEW



SIDE VIEW



			DRAWN BY	WAC	021216	TITLE	BRUNO DC SYSTEM WATCHDOG ENCLOSURE OUTLINE		
			ELECTRONIC APPROVAL SIGNATURES MAINTAINED BY MFG ECN LOG, CHKD			DRAWING No	JE5262-#####	REV	A
A	#####	021216	UNLESS OTHERWISE NOTED DIMENSIONS ARE IN INCHES. TOLERANCES ARE:			SCALE	NTS	SALES No	#####
REV	ECN No	DATE				SHEET	1	OF	1