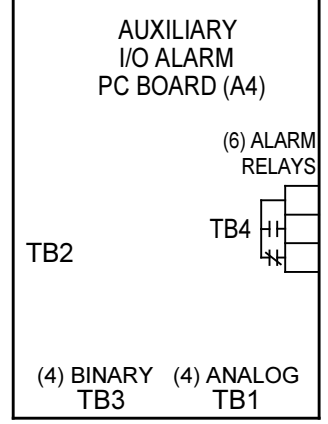
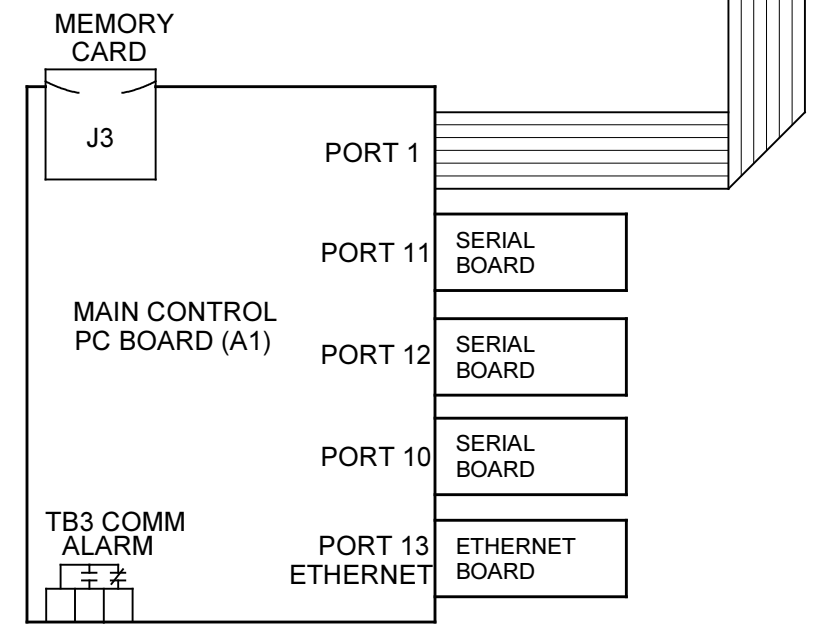
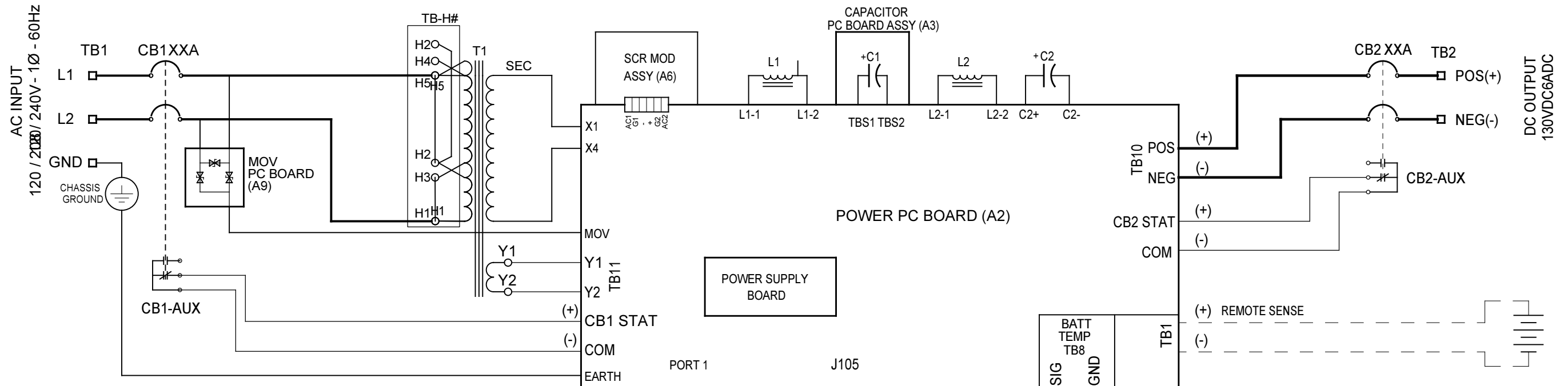


REVISION HISTORY TABLE

| ECN No. | REV. | DESCRIPTION | DATE | APPROVED |
|---------|------|-----------------|------------|----------|
| 25915 | 0 | INITIAL RELEASE | 04/07/2017 | BB |

SHIPPED FROM FACTORY TAPPED FOR

| T1 CONNECTION TABLE | |
|---------------------|--------------|
| INPUT | JUMPER |
| 120 | H1-H3, H2-H5 |
| 208 | H4-H2 (2) |
| 240 | H3-H2 (2) |



- NOTES:
- 1) FOR PHYSICAL COMPONENT FEATURES OF PC BOARDS (A1, A5, A11, etc.) SEE DETAIL DRAWING JE5253-99.
 - 2) ALL ALARM CONTACTS SHOWN IN NON-ALARM STATE, WITH CHARGER ENERGIZED AND ALARM RELAYS ENERGIZED (FAIL SAFE). ALL ALARM CONTACTS WILL CHANGE STATE WHEN CHARGER IS POWERED DOWN. CONTACT RATING IS: 0.5A @ 125VAC/VDC RESISTIVE
 - 3) INPUT POWER ISOLATION TRANSFORMER (T1) IS FIELD RE-TAPPABLE FOR 120, 208 OR 240 VAC. SEE TABLE ABOVE.

| | | | |
|--|-----|--------------------|--|
| THIRD ANGLE PROJECTION | | HINDLEPOWER | |
| DRAWN BY | KJB | DATE | 04/07/17 |
| ELECTRONIC APPROVAL SIGNATURES MAINTAINED BY MFG ECN LOG | | TITLE | ATEVO SERIES BATTERY CHARGER SCHEMATIC: WITH OPTIONS |
| UNLESS OTHERWISE NOTED DIMENSIONS ARE IN INCHES. TOLERANCES ARE: | | DRAWING No. | JE5254-99 |
| SCALE | NTS | SALES No. | JE5254-99 |
| | | REV | 0 |
| | | SHEET 1 OF 1 | |