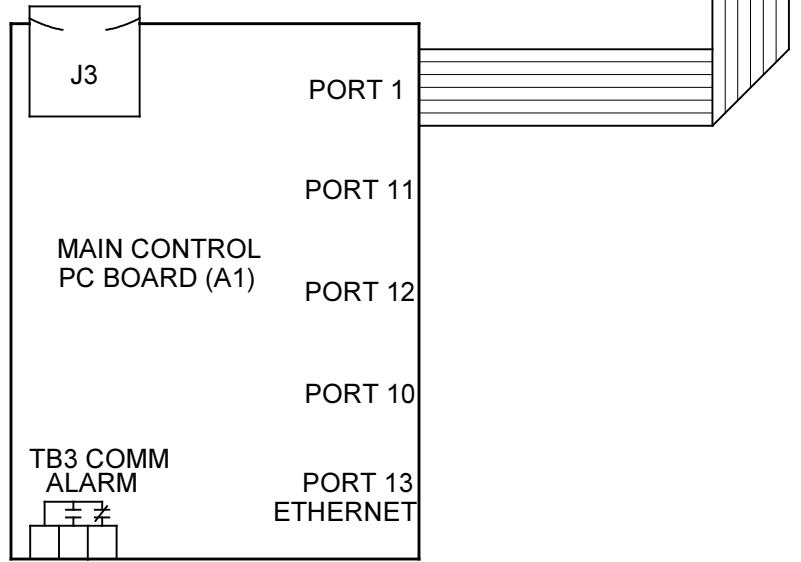
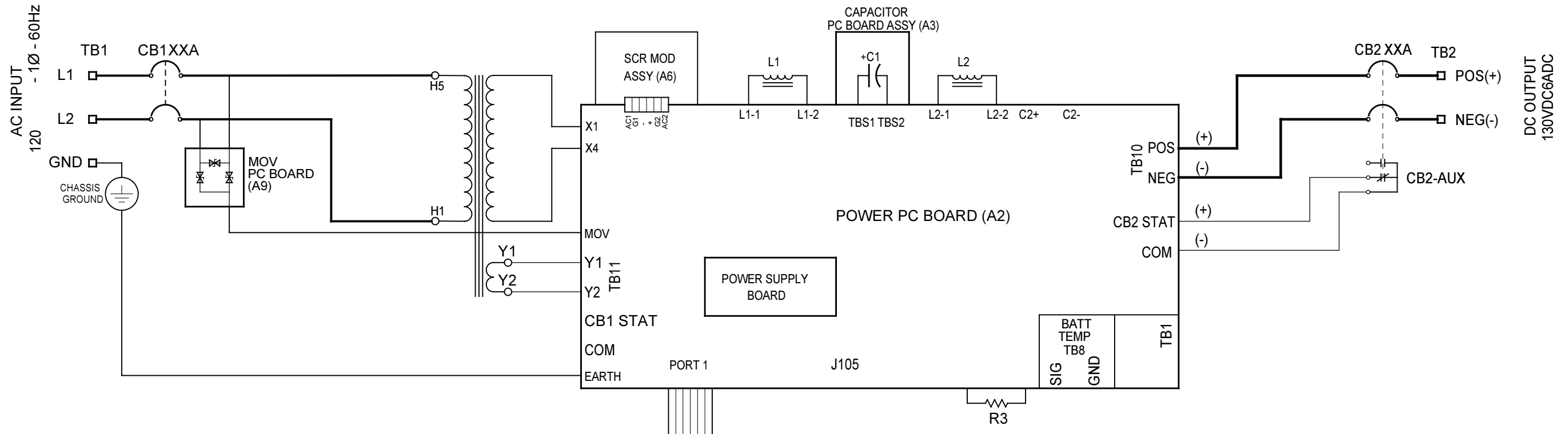


REVISION HISTORY TABLE				
ECN No.	REV.	DESCRIPTION	DATE	APPROVED
25915	0	INITIAL RELEASE	04/07/2017	BB



- NOTES:
- 1) FOR PHYSICAL COMPONENT FEATURES OF PC BOARDS (A1, A5, A11, etc.) SEE DETAIL DRAWING JE5253-00.
 - 2) ALL ALARM CONTACTS SHOWN IN NON-ALARM STATE, WITH CHARGER ENERGIZED AND ALARM RELAYS ENERGIZED (FAIL SAFE). ALL ALARM CONTACTS WILL CHANGE STATE WHEN CHARGER IS POWERED DOWN. CONTACT RATING IS: 0.5A @ 125VAC/VDC RESISTIVE

THIRD ANGLE PROJECTION		HINDLEPOWER	
DRAWN BY KJB	DATE 04/07/17	TITLE ATEVO SERIES BATTERY CHARGER SCHEMATIC: W/O OPTIONS	
ELECTRONIC APPROVAL SIGNATURES MAINTAINED BY MFG ECN LOG		DRAWING No JE5254-00	REV 0
UNLESS OTHERWISE NOTED DIMENSIONS ARE IN INCHES. TOLERANCES ARE:		SCALE NTS	SHEET 1 OF 1
SALES No JE5254-00		SHEET 1 OF 1	