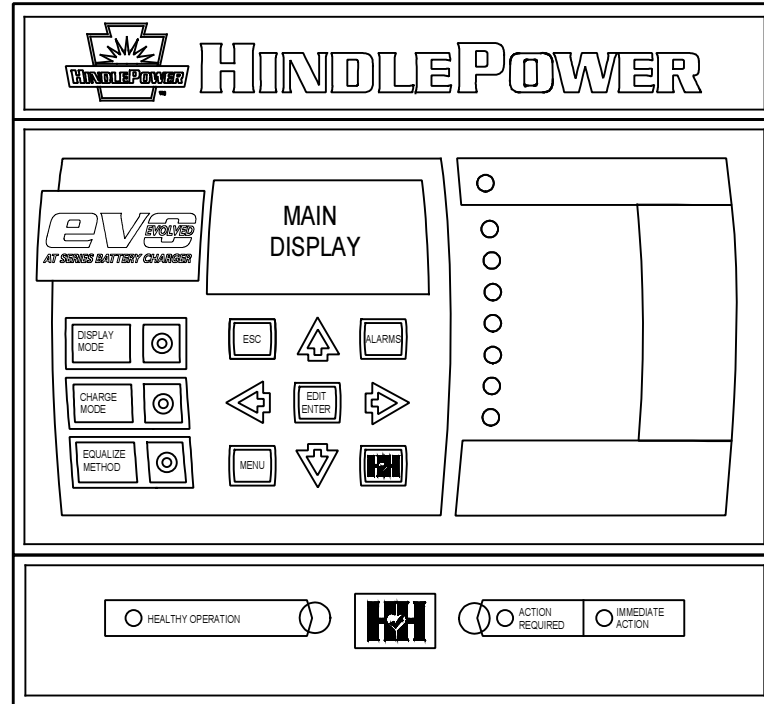
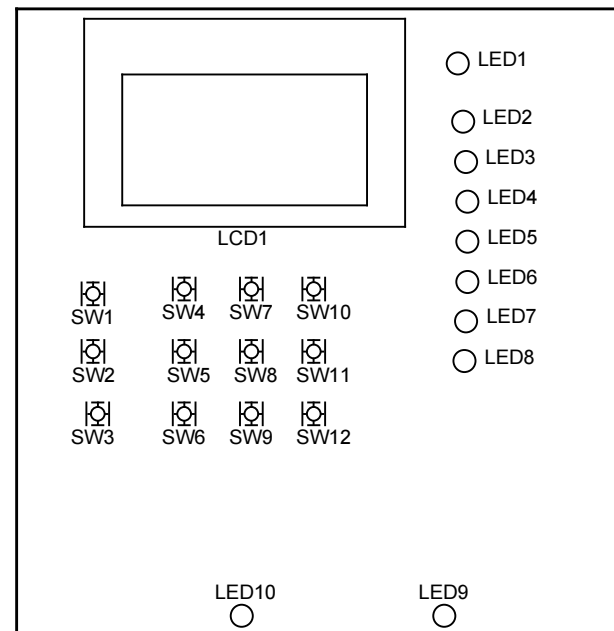


REVISION HISTORY TABLE

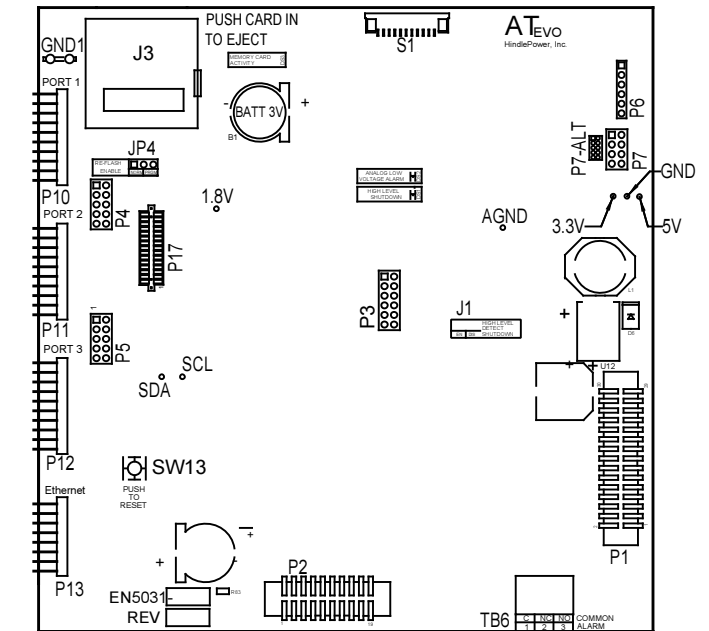
| ECN No. | REV. | DESCRIPTION | DATE | APPROVED |
|---------|------|-----------------|------------|----------|
| 25915 | 0 | INITIAL RELEASE | 04/07/2017 | BB |



INSTRUMENT PANEL
(PART No. FK0151-01)



MAIN CONTROL PC BOARD (A1)
FRONT VIEW - FACING CHARGER DOOR WHEN INSTALLED



MAIN CONTROL PC BOARD (A1)
BACK VIEW - FACING CHARGER COMPONENTS WHEN INSTALLED

NOTE: UNLESS OTHERWISE SPECIFIED, ALL ALARM TERMINAL BLOCKS (TB3/TB4/TB8) ARE SOLDERLESS COMPRESSION TERMINALS, ACCEPTING #22-14 AWG WIRE. ALL ALARM CONTACTS ARE ENERGIZED WHEN IN THE NON-ALARM STATE (FAIL SAFE). ALL ALARM CONTACTS WILL CHANGE STATE WHEN CHARGER IS POWERED DOWN. CONTACT RATING IS 0.5A @ 125VAC/VDC RESISTIVE.

MAIN CONTROL PC BOARD (A1)

INDICATOR LIGHTS (LEDs):

- LED1 - GREEN - AC ON
- LED2 - RED - HIGH DC VOLTAGE ALARM
- LED3 - RED - LOW DC VOLTAGE ALARM
- LED4 - RED - DC OUTPUT FAILURE ALARM
- LED5 - RED - AC INPUT FAILURE ALARM
- LED6 - RED - POSITIVE (+) GROUND ALARM
- LED7 - RED - NEGATIVE (-) GROUND ALARM
- LED8 - RED - COMMON ALARM
- LED9 - RED - ACTION REQUIRED ALARM
- LED10 - GREEN - HEALTHY OPERATION
- DS1 - RED - HIGH LEVEL SHUTDOWN (HLD)
- DS2 - RED - ANALOG LOW VOLTAGE ALARM (LLD)
- DS3 - RED - MEMORY CARD ACTIVITY

JUMPERS:

- J1 - ANALOG HIGH VOLTAGE SHUTDOWN JUMPER
- J3 - SD CARD PORT
- JP4 - RE-FLASH (FIELD PROGRAMMING) JUMPER

TERMINAL BLOCKS:

- TB6 - COMMON ALARM RELAY CONTACTS

TEST POINTS:

- 1.8V - 1.8 VOLTS
- 3.3V - 3.3 VOLTS
- 5V - 5.0 VOLTS
- GND - GROUND
- AGND - ANALOG GROUND
- SDA - MAIN BOARD 12C DATA
- SCL - MAIN BOARD 12C CLOCK

SWITCHES:

- S1 - DISPLAY BUTTON
- S2 - CHARGE MODE BUTTON
- S3 - EQUALIZE METHOD BUTTON
- S4 - ESCAPE (ESC) BUTTON
- S5 - LEFT ARROW BUTTON
- S6 - MENU BUTTON
- S7 - UP ARROW BUTTON
- S8 - EDIT / ENTER BUTTON
- S9 - DOWN ARROW BUTTON
- S10 - ALARM BUTTON
- S11 - RIGHT ARROW BUTTON
- S12 - HINDLE HEALTH (HHS) BUTTON
- S13 - SYSTEM RESET BUTTON (BACK OF BOARD)

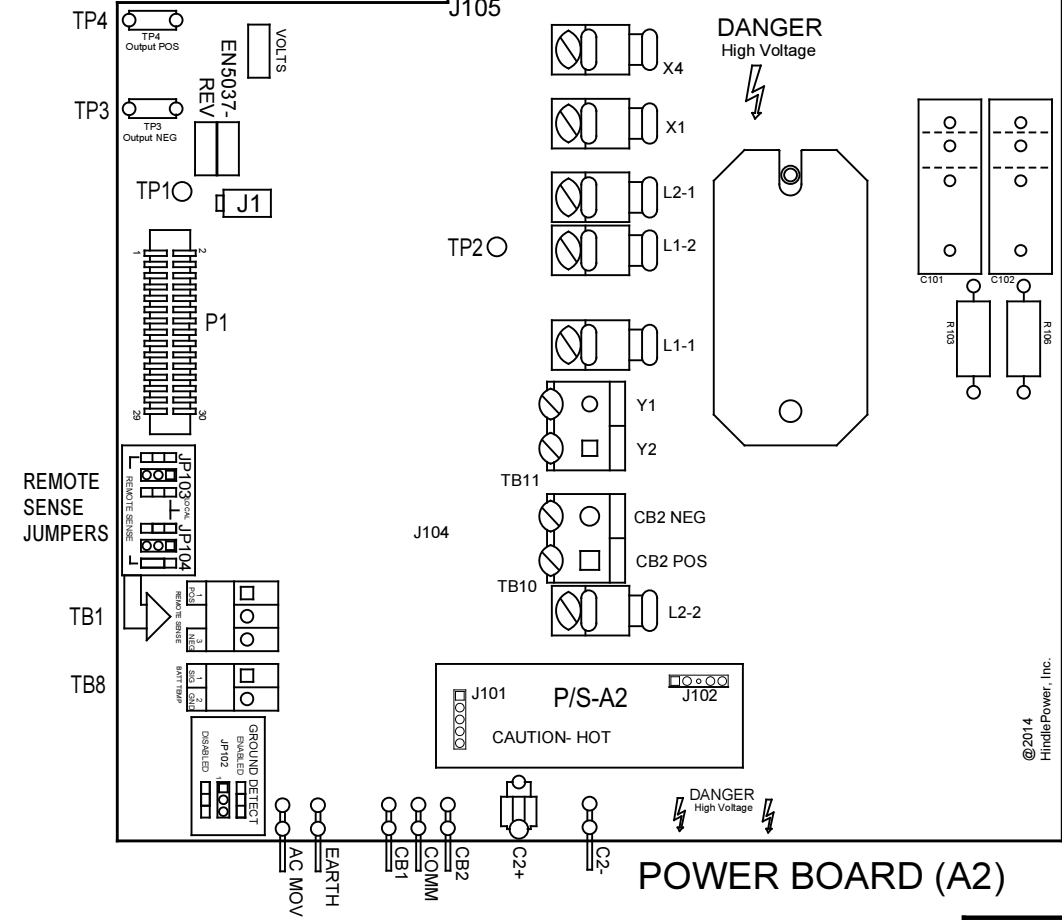
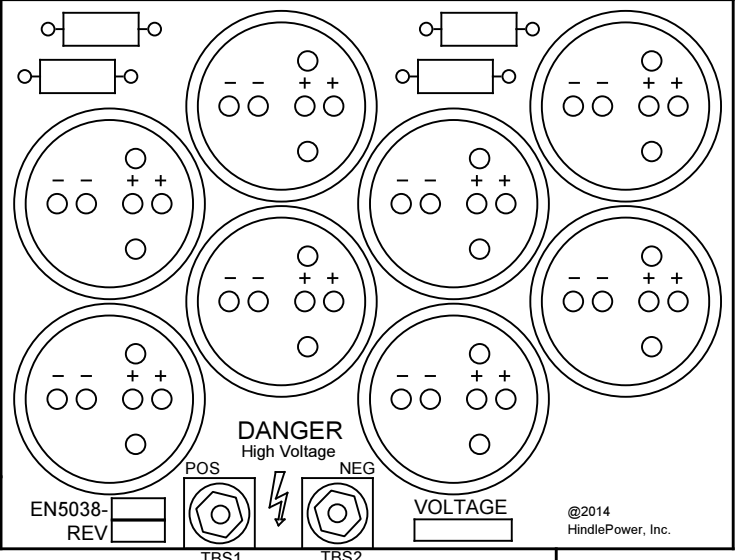
CONNECTORS:

- P1 - POWER BOARD RIBBON
- P2 - 3 PHASE RECTIFIER RIBBON
- P3 - USB EXPANSION PORT
- P4 - SPI & I2C EXPANSION PORT #1
- P5 - SPI & I2C EXPANSION PORT #2
- P6 - DISPLAY SPI PORT
- P7 - DISPLAY JTAG PORTS
- P10 - SERIAL INTERFACE PORT #1
- P11 - SERIAL INTERFACE PORT #2
- P12 - SERIAL INTERFACE PORT #3
- P13 - ETHERNET INTERFACE PORT
- P17 - GENERAL EXPANSION PORT

| | | | |
|---|---------------------------------|---|--------------------------------------|
| <p>THIRD ANGLE PROJECTION</p> | | <p>HINDLEPOWER</p> | |
| <p>DRAWN BY KJB</p> | <p>DATE 04/07/17</p> | <p>TITLE ATEVO SERIES BATTERY CHARGER INSTRUMENT PANEL / PC BOARD DETAIL</p> | |
| <p>ELECTRONIC APPROVAL SIGNATURES MAINTAINED BY MFG ECN LOG</p> | | <p>DRAWING No JE5253-00</p> | <p>REV 0</p> |
| <p>UNLESS OTHERWISE NOTED DIMENSIONS ARE IN INCHES. TOLERANCES ARE:</p> | | <p>SCALE NTS</p> | <p>SALES No JE5253-00</p> |
| | | <p>SHEET 1</p> | <p>OF 2</p> |

| REVISION HISTORY TABLE | | | | |
|------------------------|------|-----------------|------------|----------|
| ECN No. | REV. | DESCRIPTION | DATE | APPROVED |
| 25915 | 0 | INITIAL RELEASE | 04/07/2017 | BB |

FILTER BOARD (A7)



- USER TERMINALS ON POWER BOARD (A2):**
 TB1 - REMOTE VOLTAGE SENSE
 TB8 - BATTERY TEMPERATURE COMPENSATION
 TB10 - CB2 DC BREAKER
 TB11 - 'Y' CONTROL WINDINGS
- JUMPERS ON POWER BOARD (A2):**
 JP102 - GROUND DETECT CIRCUIT ENABLE / DISABLE
 JP103 - REMOTE OR LOCAL SENSE SELECTOR (+)
 JP104 - REMOTE OR LOCAL SENSE SELECTOR (-)
- CONNECTORS ON POWER BOARD (A2):**
 J1 - POWER OUT
 J101 - DC POWER SUPPLY
 J102 - DC POWER SUPPLY
 J105 - AUXILIARY I/O BOARD
 P1 - MAIN CONTROL BOARD RIBBON
- DISCRETE TERMINALS:**
 AC MOV - CHASSIS EARTH GROUND
 EARTH - CHASSIS EARTH GROUND (DOOR)
 CB1 - AC BREAKER AUX SWITCH CONTACT
 CB2 - DC BREAKER AUX SWITCH CONTACT
 COMM - BREAKER AUX SWITCH COMMON
 C2+ - ELIMINATOR FILTER CAPACITOR (+)
 C2- - ELIMINATOR FILTER CAPACITOR (-)
 X1 - TRANSFORMER SECONDARY WINDING
 X4 - TRANSFORMER SECONDARY WINDING
 L1-1 - FILTER INDUCTOR #1 (TERMINAL #1)
 L1-2 - FILTER INDUCTOR #1 (TERMINAL #2)
 L2-1 - FILTER INDUCTOR #2 (TERMINAL #1)
 L2-2 - FILTER INDUCTOR #2 (TERMINAL #2)
 TBS1 - FILTER CAPACITOR BOARD (+)
 TBS2 - FILTER CAPACITOR BOARD (-)
- TEST POINTS ON POWER BOARD (A2):**
 TP1 - PRE-FILTERED DC BUS (-)
 TP2 - PRE-FILTERED DC BUS (+)
 TP3 - DC BUS (-)
 TP4 - DC BUS (+)

POWER BOARD (A2)

| | | | | |
|---|-------------------------|--|------------------------------|----------------------------|
| THIRD ANGLE PROJECTION | | HINDLEPOWER | | |
| DRAWN BY KJB | DATE 04/07/17 | TITLE ATEVO SERIES BATTERY CHARGER INSTRUMENT PANEL / PC BOARD DETAIL | | |
| ELECTRONIC APPROVAL SIGNATURES MAINTAINED BY MFG ECN LOG | | DRAWING No JE5253-00 | REV 0 | B |
| UNLESS OTHERWISE NOTED DIMENSIONS ARE IN INCHES. TOLERANCES ARE: | | SCALE NTS | SALES No JE5253-00 | SHEET 2 OF 2 |