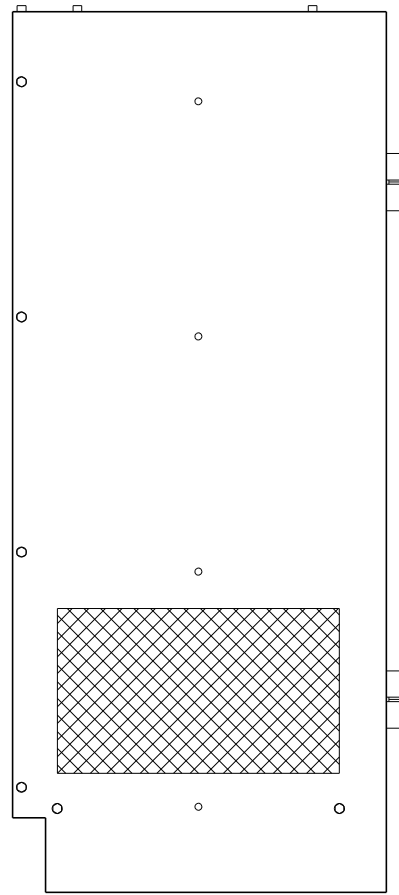
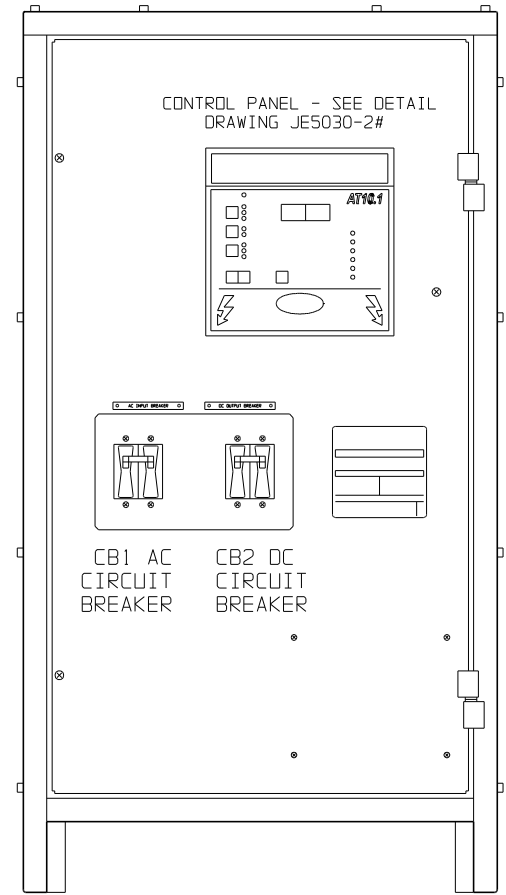


SIDE VIEW

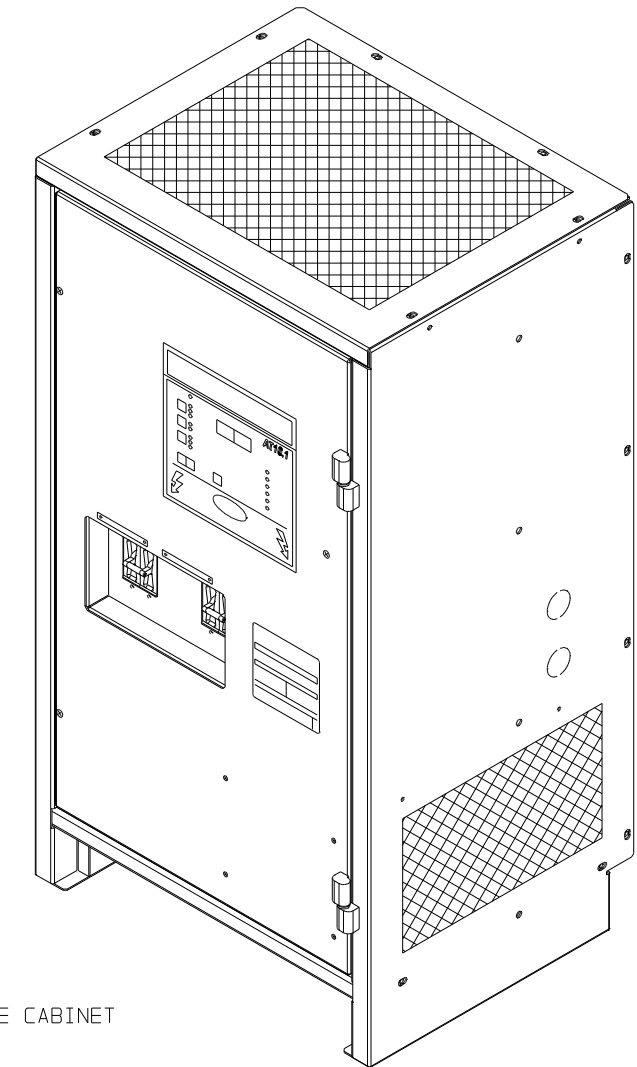
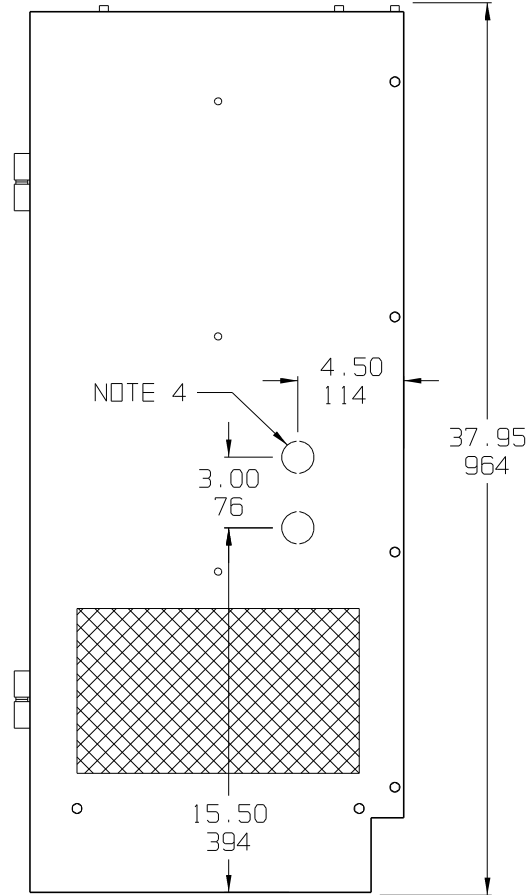


FRONT VIEW



20.90
531

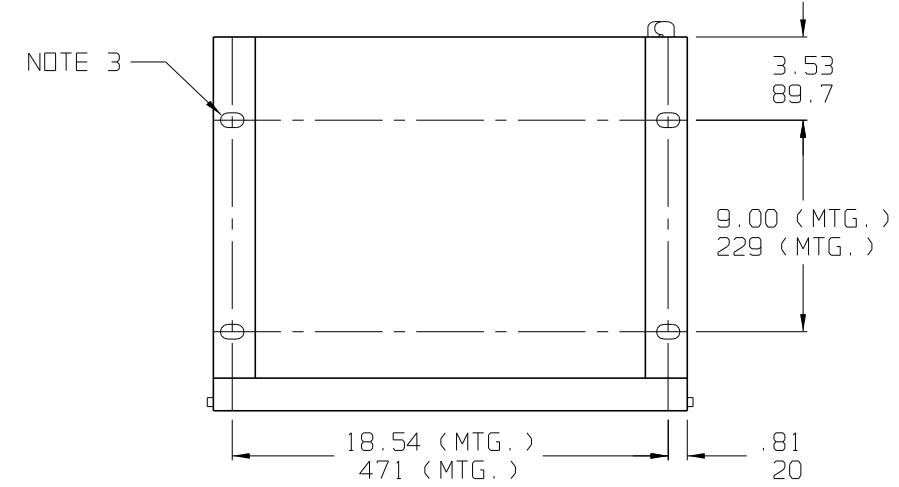
SIDE VIEW



NOTES:

- 1) ENCLOSURE IS A NEMA-1 TYPE CABINET WITHOUT GASKETS.
- 2) ALLOW 12in (305mm) OF FREE AIR (TOP AND FRONT OF CABINET) FOR VENTILATION.
- 3) FOUR (4) 1in x .625in (25mm x 16mm) FLOOR-MOUNTING SLOTS ARE PROVIDED ON BOTTOM OF ENCLOSURE AS SHOWN.
- 4) TWO (2) 1.31in/33mm DIA STANDARD PRE-FAB KNOCKOUTS ARE PROVIDED, SHOWN ON THE LOWER-RIGHT SIDE OF ENCLOSURE FOR UP TO 1in/25mm CONDUIT. IF ADDITIONAL CONDUIT ENTRANCES ARE REQUIRED BY USER, ENCLOSURE SHOULD BE FIELD-MODIFIED BY INSTALLER.
- 5) BATTERY CHARGER SHIPPING WEIGHT RANGE: APPROXIMATELY 205-660 lbs. / 93-300 kg.

BOTTOM VIEW



DUAL DIMENSIONS in mm

				 THIRD ANGLE PROJECTION		 1075 Saint John Street Easton, PA 18042-6661 PH 610-330-9000 FAX 610-330-8510 www.hindlepowerinc.com	
				DRAWN BY MCR APPROVED <i>[Signature]</i>	022603	TITLE AT10.1 SERIES BATTERY CHARGER OUTLINE: NEMA-1 STYLE-5018 ENCLOSURE	
1	E1541	090905		0	E1151	022603	DRAWING No JE5026-00 SCALE NTS PART No JE5026-00 SHEET 1 OF 1
REV	ECN No	DATE	APP	UNLESS OTHERWISE NOTED DIMENSIONS ARE IN INCHES. TOLERANCES ARE:		REV 1 B	