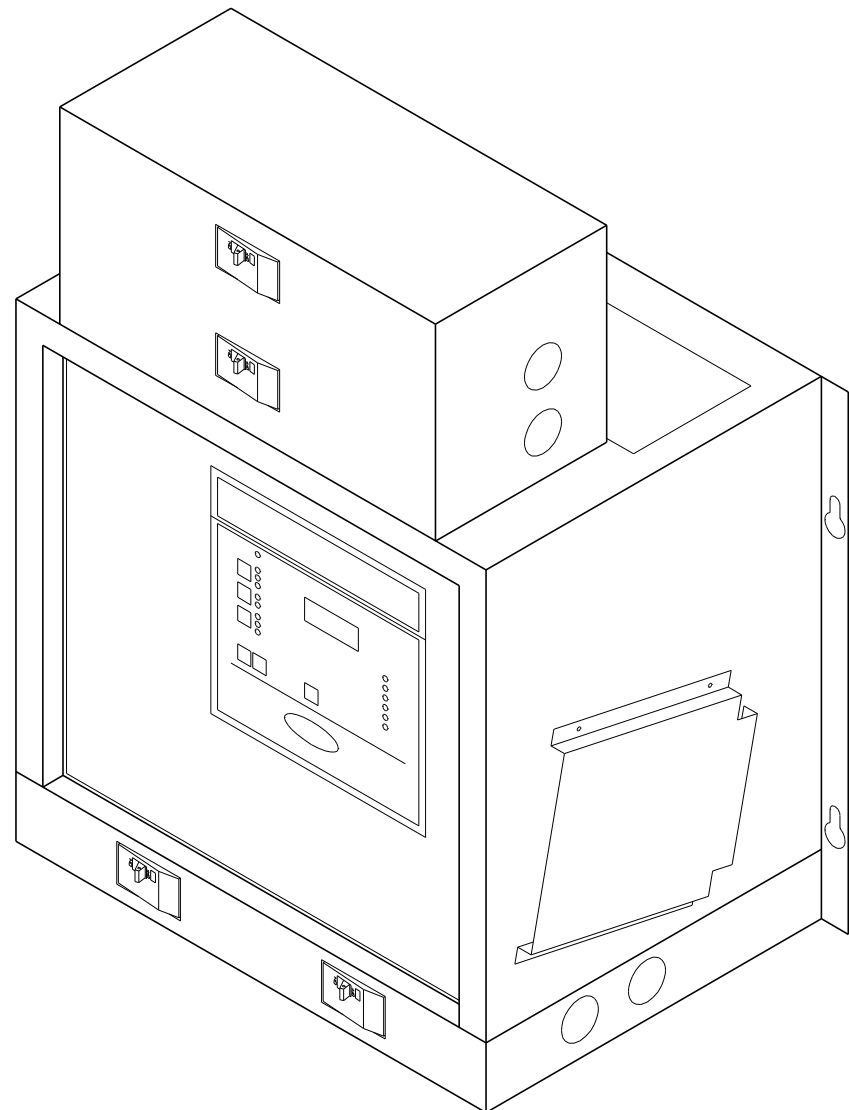
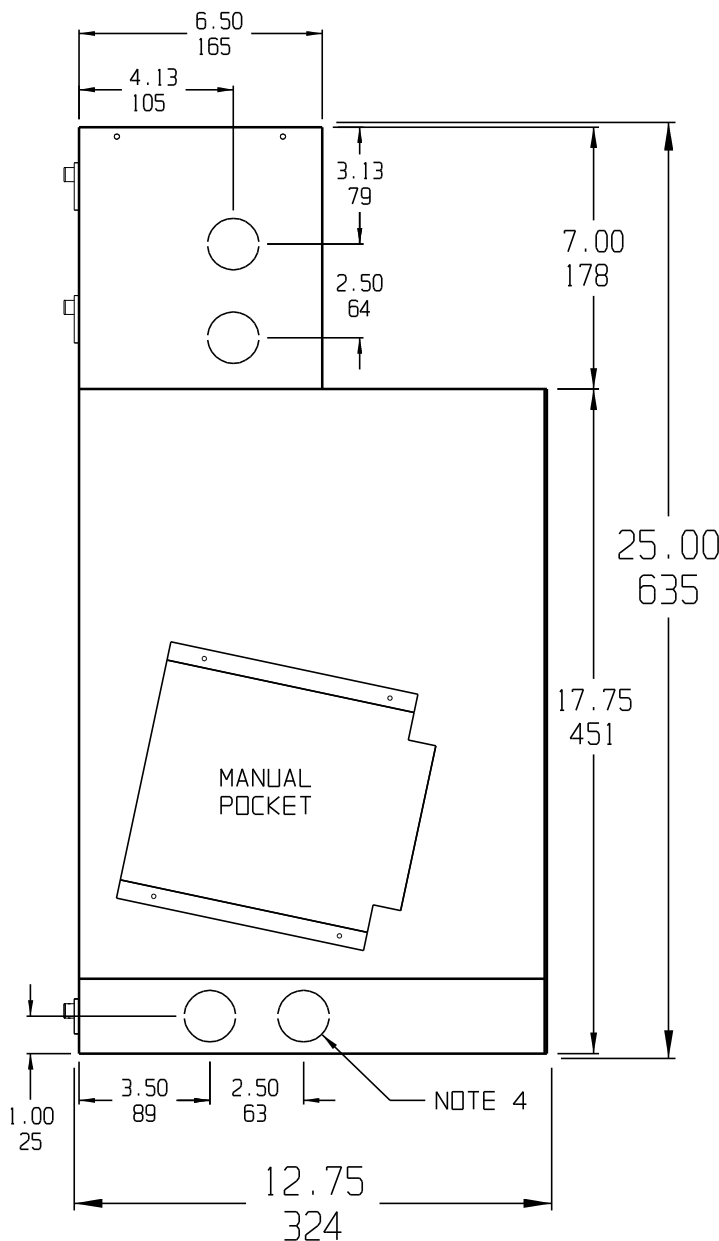
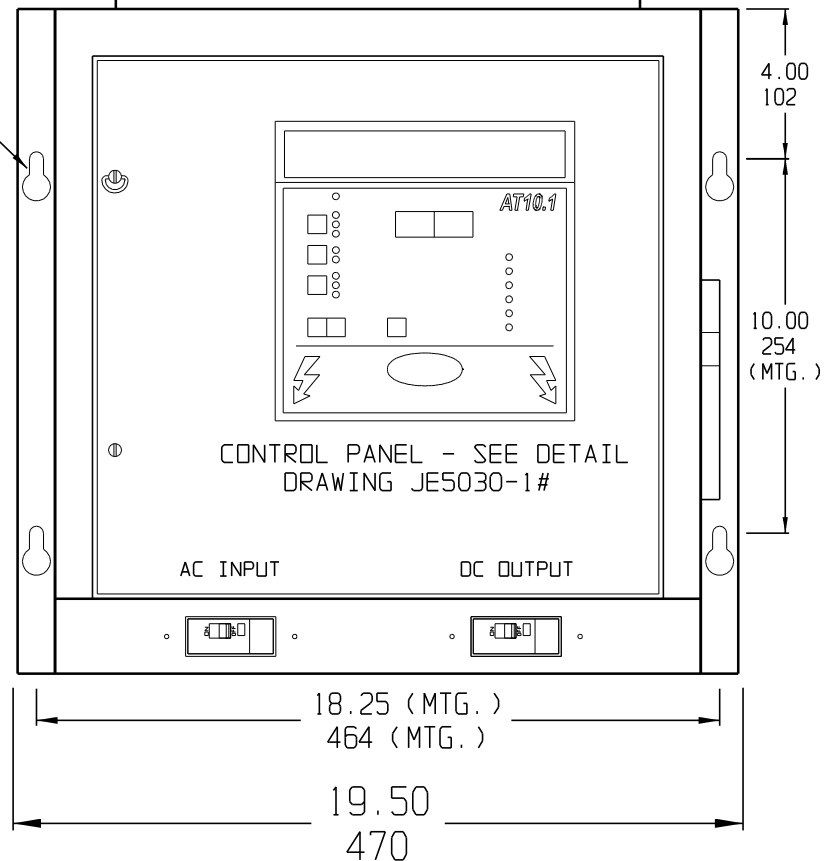


NOTE 3



NOTES:

- 1) ENCLOSURE IS A NEMA-1 TYPE CABINET WITHOUT GASKETS.
- 2) ALLOW 6in (152mm) OF FREE AIR (TOP AND FRONT OF CABINET) FOR VENTILATION.
- 3) FOUR (4) KEY-HOLE SLOTS ARE PROVIDED ON THE BACK OF ENCLOSURE AS SHOWN, FOR WALL-MOUNTING WITH .25in (6.25mm) HARDWARE.
- 4) FOUR (4) 1.31in/33mm DIA KNOCKOUTS ARE PROVIDED AS SHOWN, WITH TWO (2) ADDITIONAL KNOCKOUTS FEATURED ON BOTTOM PANEL OF ENCLOSURE. USE OF ANY OF THESE FOUR (4) LOWER CONDUIT KNOCKOUTS WILL ALLOW REMOVAL OF THE CABINET SHROUD WITHOUT REMOVAL OF EXTERNAL WIRING.
- 5) BATTERY CHARGER SHIPPING WEIGHT RANGE: APPROXIMATELY 110-193 lbs. / 50-88 kg.
- 6) STANDARD CIRCUIT BREAKER LOCATION AT BOTTOM OF ENCLOSURE. 480VAC AND/OR MEDIUM/HIGH AIC CIRCUIT BREAKERS RELOCATED TO TOP PENTHOUSE ENCLOSURE.

DUAL DIMENSIONS in mm

				THIRD ANGLE PROJECTION		Hindle Power 1075 Saint John Street Easton, PA 18042-6661 PH 610-330-9000 FAX 610-330-8510 www.hindlepowerinc.com	
				DRAWN BY MCR 022603		TITLE AT10.1 SERIES BATTERY CHARGER OUTLINE: NEMA-1 STYLE-594 ENCLOSURE W/PENTHOUSE	
				APPROVED		DRAWING No JE5024-01	
				UNLESS OTHERWISE NOTED DIMENSIONS ARE IN INCHES. TOLERANCES ARE:		REV 0 B	
0	E1151	022603				SCALE NTS	PART No JE5024-01
REV	ECN No	DATE	APP			SHEET 1 OF 1	