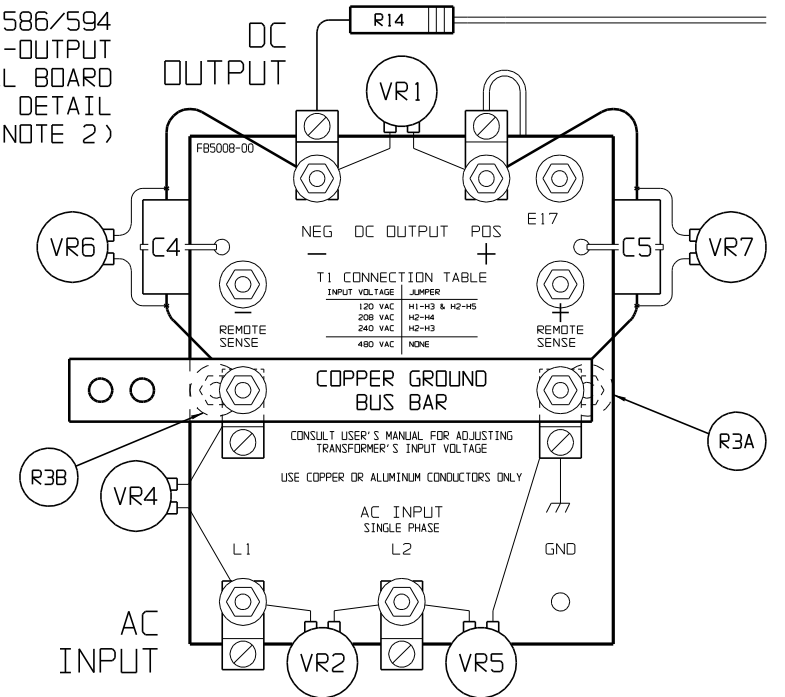


STYLE-586/594
INPUT-OUTPUT
TERMINAL BOARD
TB1 DETAIL
(NOTE 2)



I/O TERMINAL	DESCRIPTION - TYPE	CONNECTION
TB1(+/-)	POS/NEG OUTPUT TERMINALS - CU-ALUMINUM COMPRESSION LUG	#14-6 AWG.
REM SENSE(+/-)	POS/NEG REMOTE SENSE TERMINALS - 10-32 SCREW HARDWARE	#10 RING LUG
(2) TB1-GND	GROUND TERMINAL - CU-ALUMINUM COMPRESSION LUG	#14-6 AWG.
TB1-L1/L2	AC INPUT TERMINALS - CU-ALUMINUM COMPRESSION LUG	#14-6 AWG.
TB3	SUMMARY ALARM TERMINAL BLOCK - SOLDERLESS COMPRESSION	#22-14 AWG.
TB4	AUXILIARY ALARM TERM BLOCK - SOLDERLESS COMPRESSION	#22-14 AWG.
TB8	TEMPCD PROBE (A10) INTERCONNECTION TERMINAL BLOCK	#22-14 AWG.

NOTES:

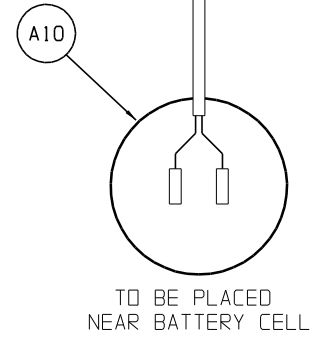
- FOR DETAIL VIEWS OF ALL PC BOARDS (A1, A5, etc.) SEE DRAWING JE5030-19.
- I/O PANEL PROTECTION (SHOWN ONLY ON DETAIL) CONSISTS OF EMI FILTER CAPACITORS (C4 & C5) AND SURGE SUPPRESSORS (VR1, VR2, VR4, VR5, VR6 & VR7).
- DATA NAMEPLATE IS LOCATED ON EXTERIOR LEFT SIDE WALL OF ENCLOSURE. USER'S MANUAL POCKET IS LOCATED ON EXTERIOR RIGHT SIDE WALL OF ENCLOSURE.
- SAFETY COVER DISPLAYS COMPONENT LAYOUT DIAGRAM, SCHEMATIC & INSTALLATION NOTES.
- BATTERY ELIMINATOR FILTER CAPACITOR (C2) IS NORMALLY LOCATED IN FRONT OF C1. 130VDC-12ADC THRU 130VDC-25ADC UNITS UTILIZE TWO (2) C1s, THEREFORE C2 IS SHIFTED TO LOWER RIGHT-HAND CORNER OF ENCLOSURE AS SHOWN.
- IF AT10.1 HAS 480VAC INPUT, OR IS CUSTOMER-SPECIFIED WITH MEDIUM/HIGH AMPERE INTERRUPTING CAPACITY CIRCUIT BREAKERS, CB1 AND CB2 ARE RELOCATED TO PENTHOUSE ENCLOSURE, AND TB6 IS ADDED.

AT10.1 GROUP I STANDARD COMPONENTS

SYMBOL	DESCRIPTION	SYMBOL	DESCRIPTION
A1	MAIN CONTROL PRINTED CIRCUIT BOARD	VR4	AC INPUT SURGE SUPPRESSOR (L1 TO GND)
A6	RECTIFIER ASSY (A3/A16/HEATSINK)	VR5	AC INPUT SURGE SUPPRESSOR (L2 TO GND)
C4	DC OUTPUT EMI FILTER CAPACITOR	VR6	DC OUTPUT SURGE SUPPRESSOR (- TO GND)
C5	DC OUTPUT EMI FILTER CAPACITOR	VR7	C OUTPUT SURGE SUPPRESSOR (+ TO GND)
CB1	AC INPUT CIRCUIT BREAKER (M/H AIC)		
CB2	DC OUTPUT CIRCUIT BREAKER (M/H AIC)		
L1	MAIN INDUCTOR		
R2	CURRENT RATING RESISTOR		
R3A/B	BALLAST RESISTORS (130 VDC)		
R4	SCALING RESISTOR (POSITIVE LEG)		
R6	VOLTAGE CROWBAR RESISTOR		
R14	SCALING RESISTOR (NEGATIVE LEG)		
T1	POWER ISOLATION TRANSFORMER		
TB3	SUMMARY ALARM CONTACTS		
TB5	RESISTOR TERMINAL BLOCK		
TB8	TEMPCD PROBE (A10) TERMINAL BLOCK		
VR1	DC OUTPUT SURGE SUPPRESSOR (- TO +)		
VR2	AC INPUT SURGE SUPPRESSOR (L1 TO L2)		

OPTIONAL COMPONENTS

A5	AUXILIARY ALARM RELAY PC BOARD
A10	EXTERNAL TEMPERATURE COMPENSATION PROBE
C1	FILTER CAPACITOR
C2	BATTERY ELIMINATOR FILTER CAPACITOR
CR1	POLARITY DIODE
CR2	BLOCKING DIODE
F1	AC INPUT FUSE (480 VAC INPUT ONLY)
L2	FILTER INDUCTOR
R9	FILTER CAPACITOR (C1) BLEED RESISTOR
TB4	AUXILIARY ALARM RELAY TERMINAL BLOCK
TB6	MED/HIGH AIC CIRCUIT BREAKER JUNCTION BLOCK
VR3	AC LIGHTNING ARRESTOR (LOCATED BEHIND I/O)



2	E2029	042805		THIRD ANGLE PROJECTION	 1075 Saint John Street Easton, PA 18042-6661 PH 610-330-9000 FAX 610-330-8510 www.hindlepowerinc.com
1	E1742	091004	GRB	DRAWN BY MCR 022703	
0	E1154	022703	QA	APPROVED QA 022803	TITLE AT10.1 SERIES BATTERY CHARGER (OPTIONAL) INTERNAL COMPONENT LAYOUT: STYLE-586/594
REV	ECN No	DATE	APP	UNLESS OTHERWISE NOTED DIMENSIONS ARE IN INCHES. TOLERANCES ARE:	DRAWING No JE5027-99 REV 2 B
					SCALE NTS PART No JE5027-99 SHEET 1 OF 1