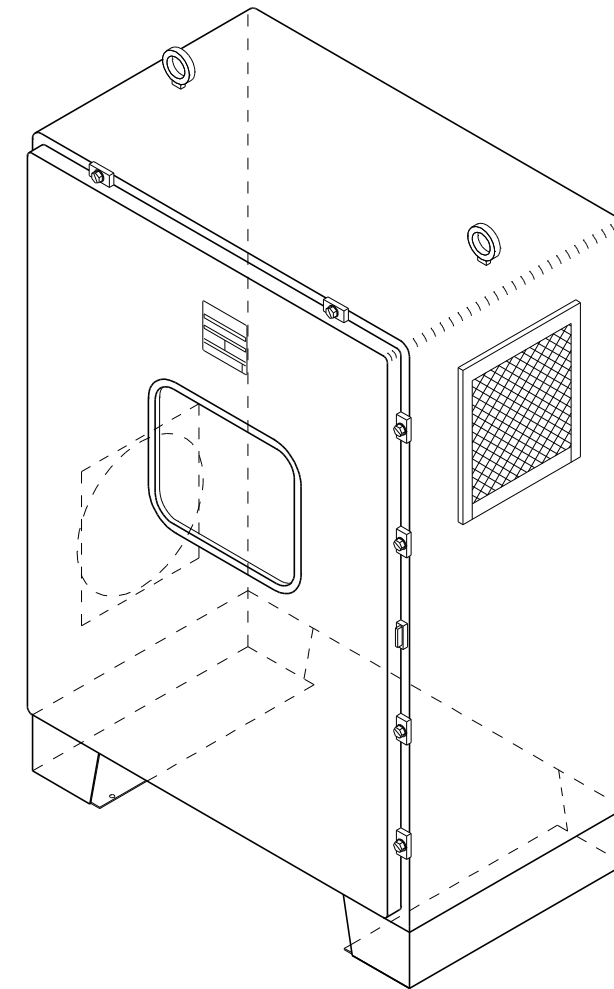


HOLE	DIA.	QTY.	APPLICATION
A	0.438 11.11	4	FLOOR MOUNTING

NEMA-4/12/13 ENCLOSURES FEATURE NO PRE-FABRICATION PROVISIONS FOR CONDUIT ENTRANCE. CABINET SHOULD BE FIELD-MODIFIED BY INSTALLER AS NEEDED FOR I/O.



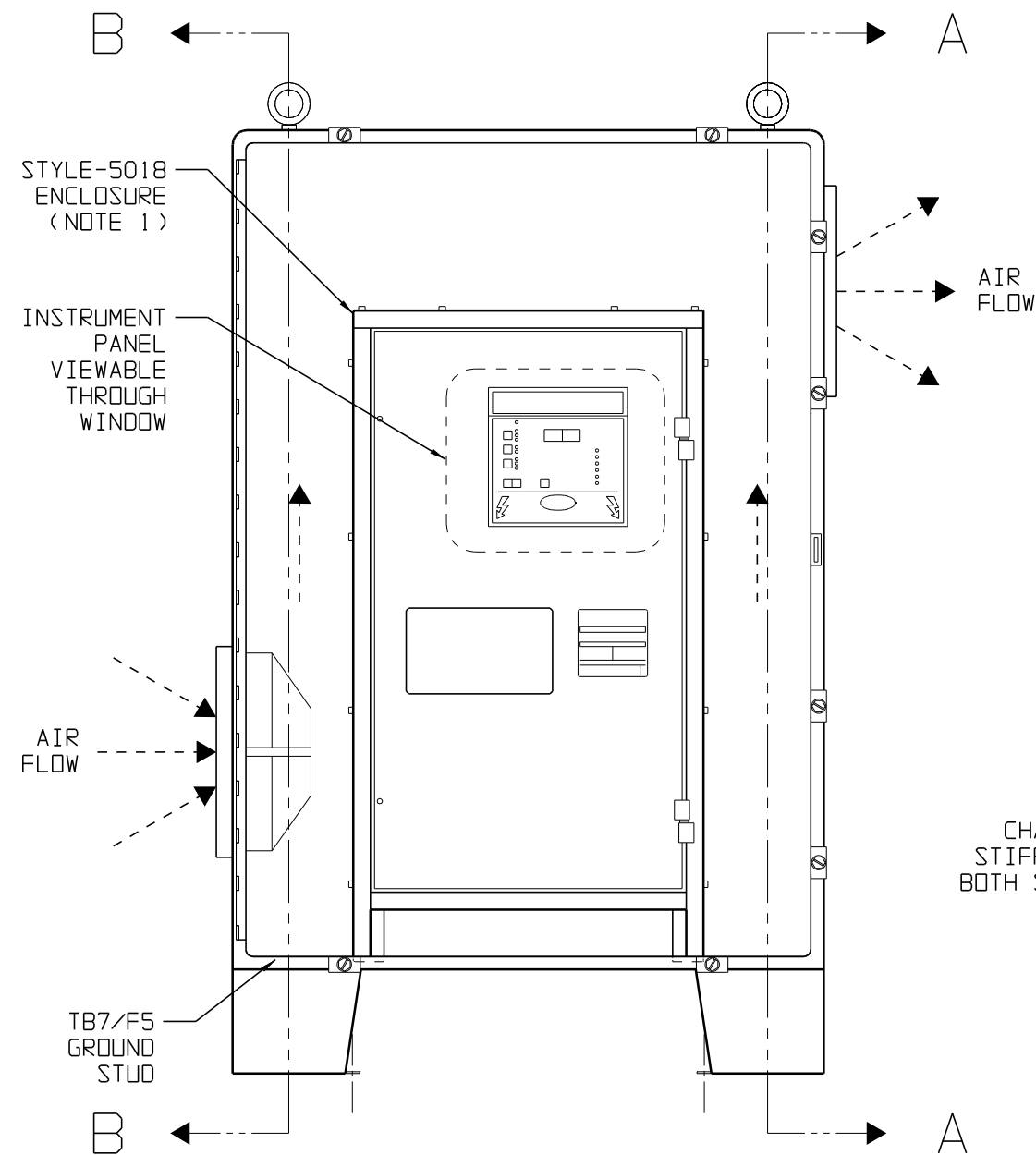
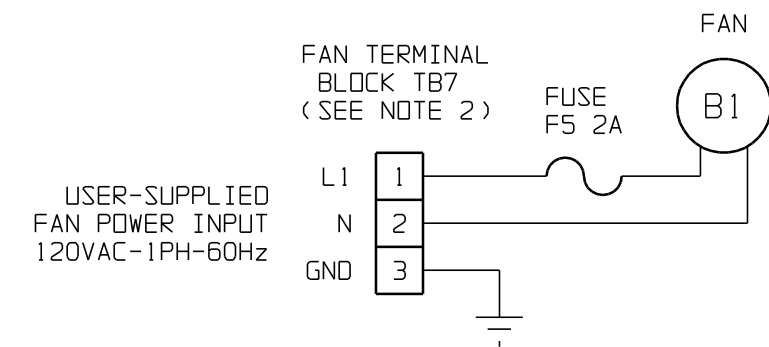
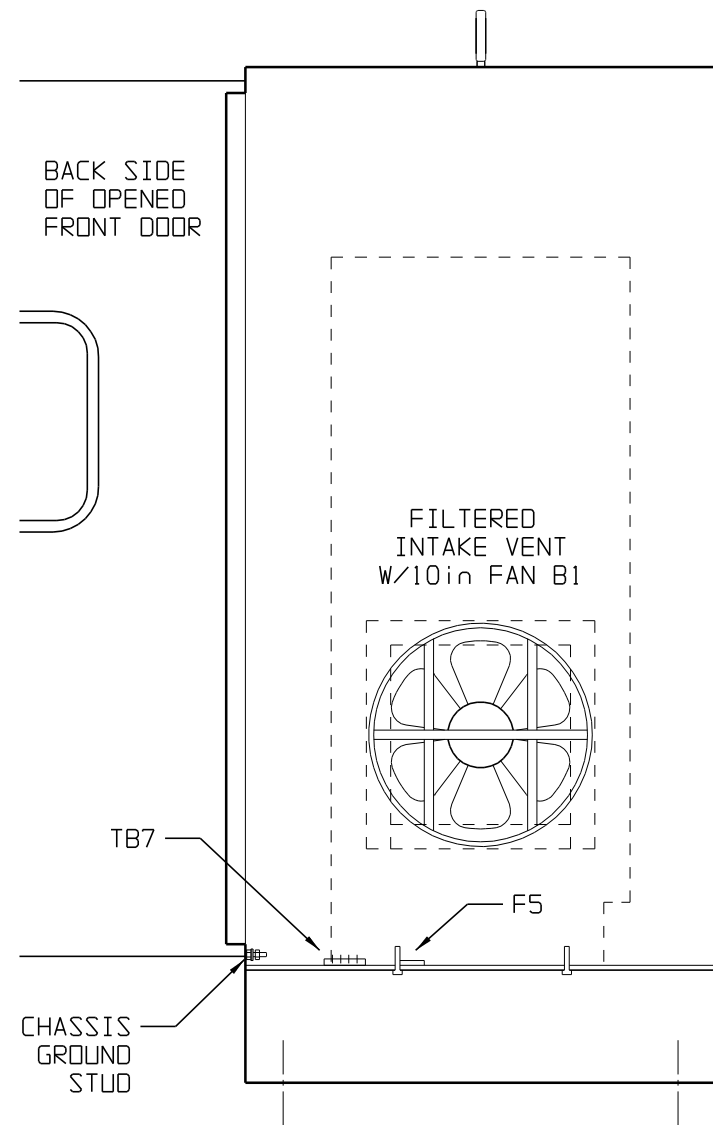
NOTES:

- 1) DOOR CLAMPS SUPPLIED TO MEET NEMA-4/12/13 ENCLOSURE STANDARDS.
- 2) SEE SHEET 2 OF 2 FOR EXTERNALLY-POWERED INTAKE FAN AND 120 Vac TERMINAL BLOCK
- 3) EXTERNAL FINISH IS ANSI-61 GRAY PAINT
- 4) SHIPPING WEIGHT IS APPROXIMATELY:
380 lbs / 172 kg ABOVE STANDARD CHARGER

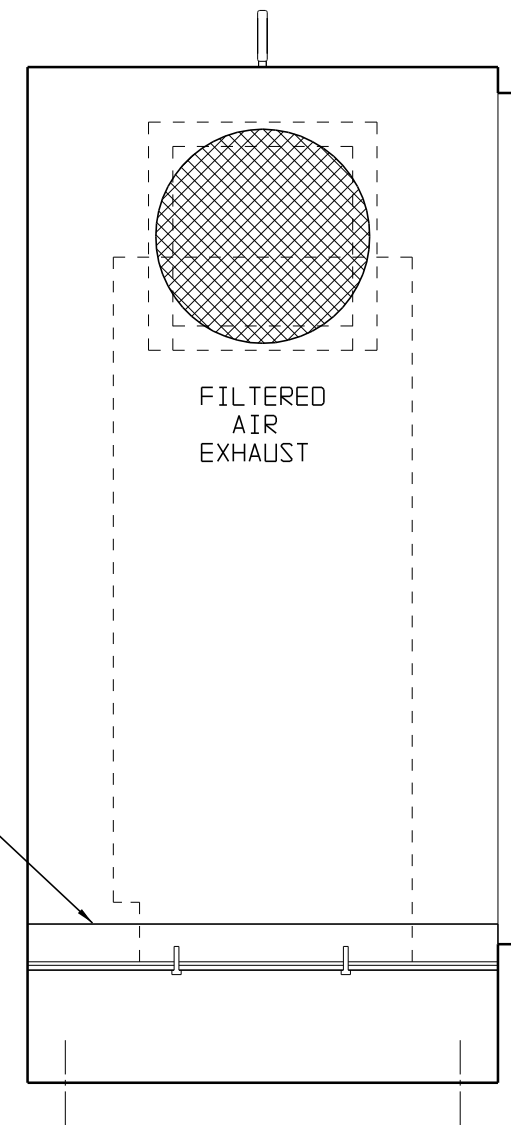
DUAL DIMENSIONS in mm

				THIRD ANGLE PROJECTION		1075 Saint John Street Easton, PA 18042-6661 PH 610-330-9000 FAX 610-330-8510 www.hindlepowerinc.com	
				DRAWN BY MCR 040605		TITLE AT SERIES BATTERY CHARGER OUTLINE: NEMA-4/12/13 ENCLOSURE - STYLE-5037 CABINET	
				APPROVED		DRAWING No JE5074-00 REV 0 B	
0	E2003	040605		UNLESS OTHERWISE NOTED DIMENSIONS ARE IN INCHES. TOLERANCES ARE:		SCALE NTS PART No JE5074-00 SHEET 1 OF 2	
REV	ECN No	DATE	APP				

SECTION B-B



SECTION A-A



WIRING:

No.	FROM	TO	GA	COLOR
211	TB7-L1	F5-1	14	BLACK
212	F5-2	B1-1	14	BLACK
213	TB7-N	B1-2	14	BLACK
214	TB7-GND	CHASSIS GROUND	12	GREEN/YELLOW

NOTES:

- 1) TB7 3-POS FAN EXTERNAL POWER TERMINAL BLOCK BARRIER TYPE, 6-32 BINDER HEAD SCREW TERMINAL, WILL ACCOMMODATE LUGS FOR #16-14 AWG. WIRE.
- 2) THIS DRAWING DEPICTS A NEMA-4/12/13 TYPE ENCLOSURE, HOUSING A STANDARD NEMA-1 AT SERIES BATTERY CHARGER. SEE JE5026-00 OR JE5085-00 FOR STYLE-5018 ENCLOSURE DIMENSIONS.
- 3) ENCLOSURE INTERNAL FINISH IS SEMI-GLOSS WHITE

<p>THIRD ANGLE PROJECTION</p>		<p>1075 Saint John Street Easton, PA 18042-6661 PH 610-330-9000 FAX 610-330-8510 www.hindlepowerinc.com</p>	
<p>DRAWN BY MCR 040605</p> <p>APPROVED</p> <p>UNLESS OTHERWISE NOTED DIMENSIONS ARE IN INCHES. TOLERANCES ARE:</p>	<p>TITLE AT SERIES BATTERY CHARGER OUTLINE: NEMA-4/12/13 ENCLOSURE - STYLE-5037 CABINET</p> <p>DRAWING No JE5074-00 REV 0 B</p> <p>SCALE NTS PART No JE5074-00 SHEET 2 OF 2</p>		