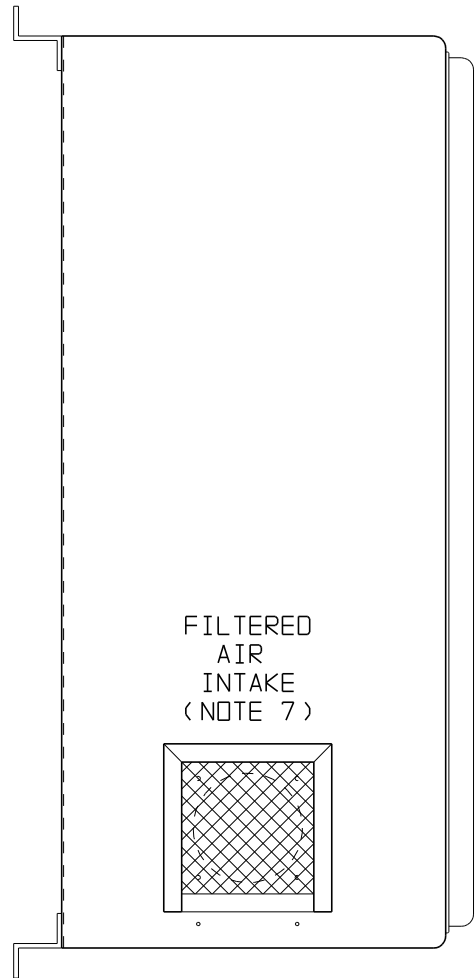
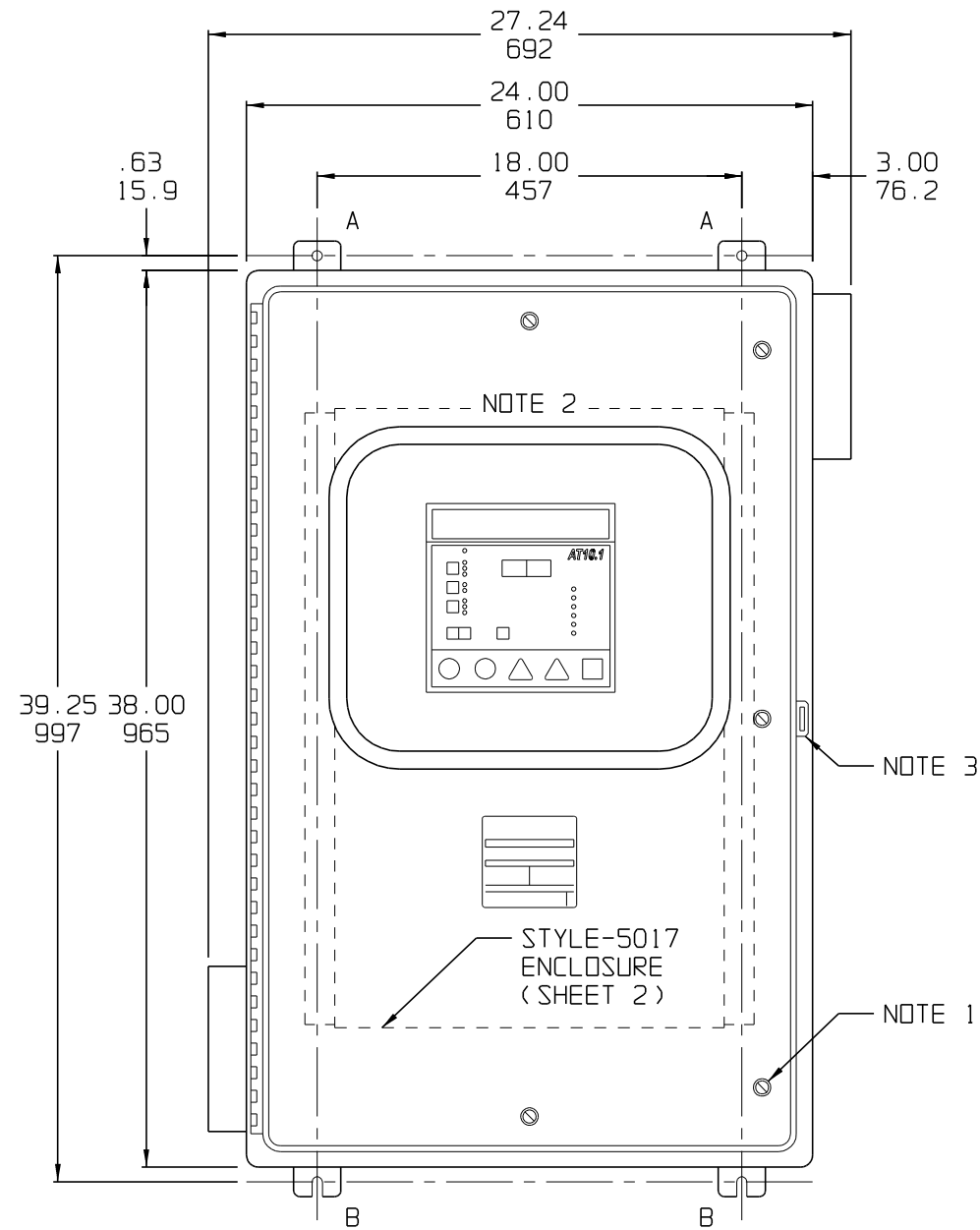


LEFT SIDE VIEW



FILTERED AIR INTAKE (NOTE 7)

FRONT VIEW



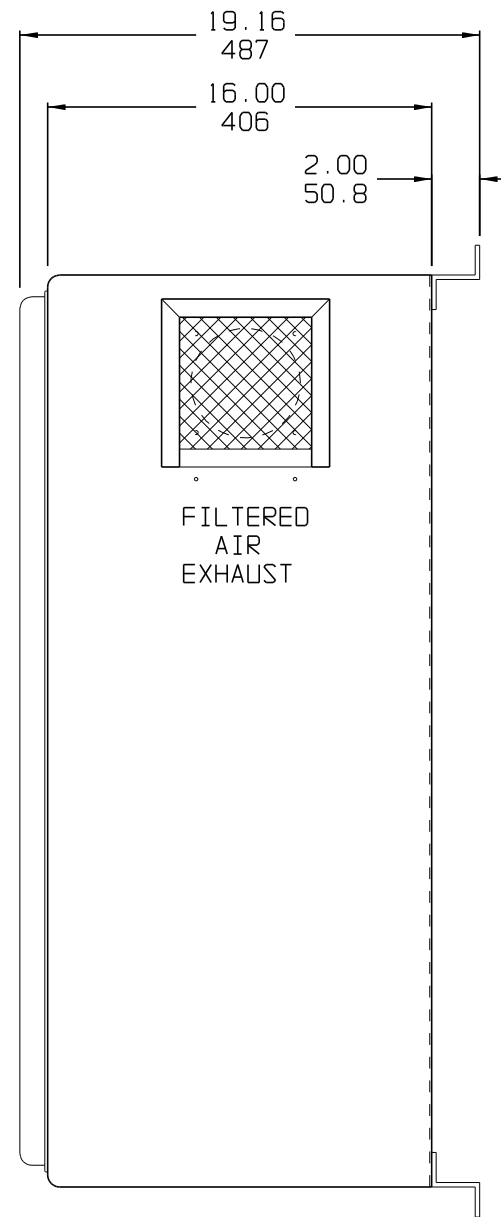
NOTE 2

STYLE-5017 ENCLOSURE (SHEET 2)

NOTE 3

NOTE 1

RIGHT SIDE VIEW



FILTERED AIR EXHAUST

HOLE	DIA.	QTY.	APPLICATION
A	0.438 11.11	2	WALL MOUNTING HOLES
B	0.438 11.11	2	WALL MOUNTING SLOTS

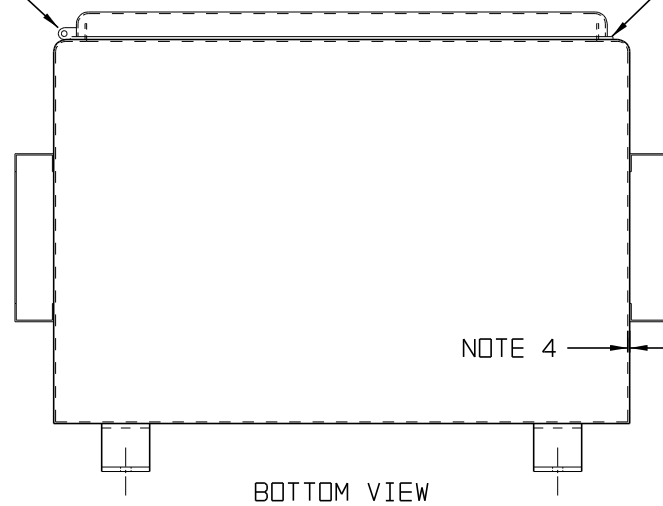
NEMA-4/12/13 ENCLOSURES FEATURE NO PRE-FABRICATION PROVISIONS FOR CONDUIT ENTRANCE. CABINET SHOULD BE FIELD-MODIFIED BY INSTALLER AS NEEDED FOR I/O.

NOTES:

- 1) CHROME-PLATED, 1/4-TURN, SLOTTED LATCHES AS REQUIRED TO MEET NEMA TYPE 4 STANDARDS
- 2) SEALED ACRYLIC WINDOW
- 3) PADLOCK HASP AND STAPLE
- 4) ENCLOSURE SIDEWALLS ARE 14 GA CR STEEL
- 5) NEOPRENE GASKET
- 6) CONTINUOUS HINGE
- 7) SEE SHEET 2 OF 2 FOR EXTERNALLY-POWERED INTAKE FAN AND 120 Vac TERMINAL BLOCK
- 8) EXTERNAL FINISH IS ANSI-61 GRAY PAINT
- 9) SHIPPING WEIGHT IS APPROXIMATELY 120 lbs / 54 kg ABOVE STANDARD CHARGER

NOTE 6

NOTE 5



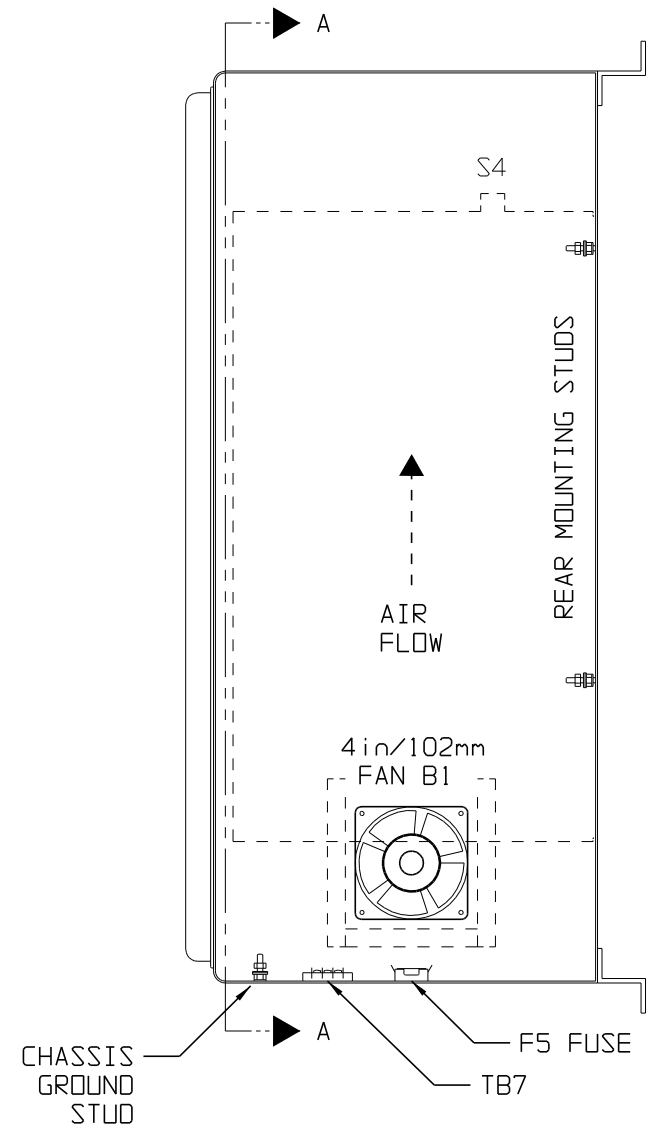
BOTTOM VIEW

NOTE 4

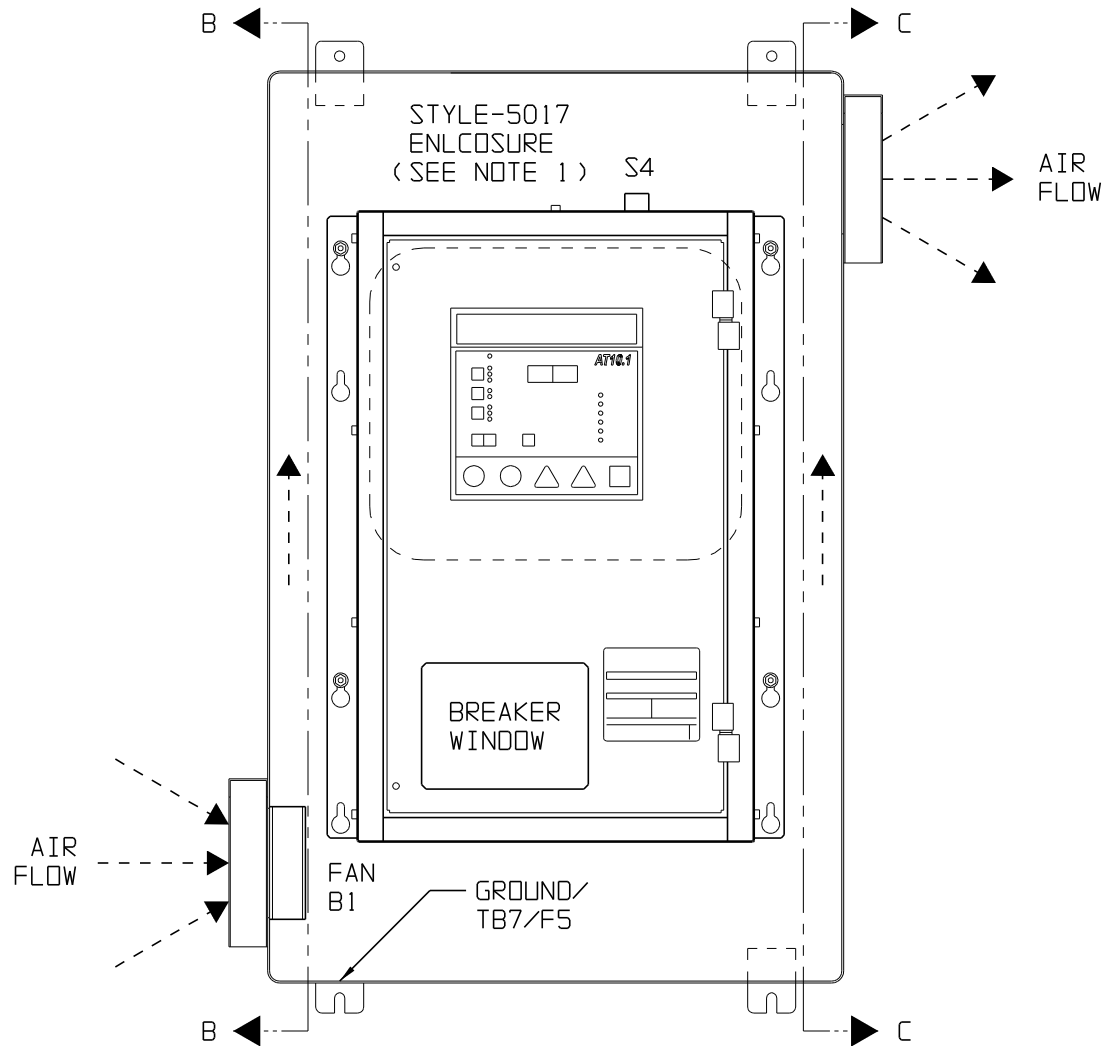
DUAL DIMENSIONS in mm

			<p>THIRD ANGLE PROJECTION</p>					
			DRAWN BY	MCR	040605	TITLE AT10.1 SERIES BATTERY CHARGER OUTLINE: NEMA-4 (12/13) ENCLOSURE - ST-5036 CABINET		
			APPROVED	GRB	040605	DRAWING No		REV
1	24875	052815				JE5073-00		1
0	E2003	040605	UNLESS OTHERWISE NOTED DIMENSIONS ARE IN INCHES. TOLERANCES ARE:			B		
REV	ECN No	DATE	SCALE		NTS	PART No		JE5073-00
			SHEET		1	OF		2

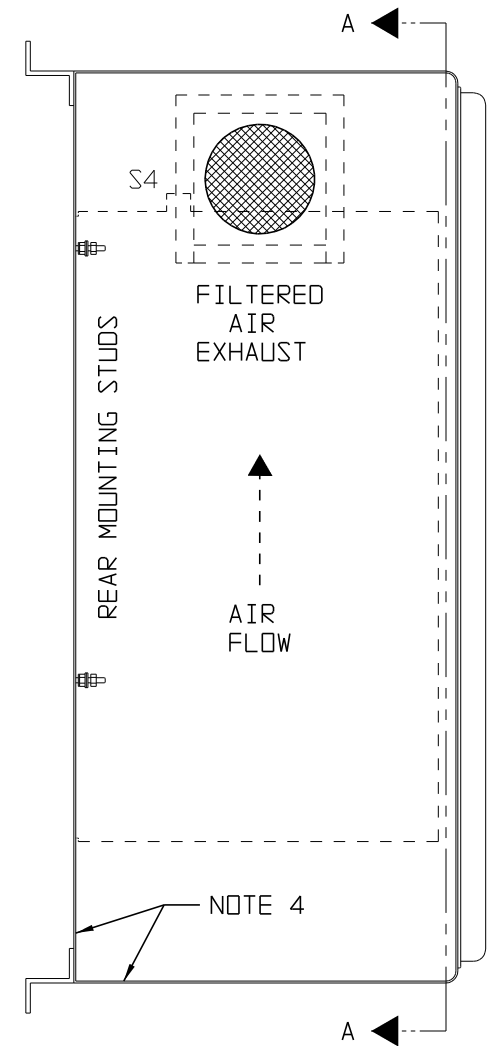
SECTION B-B



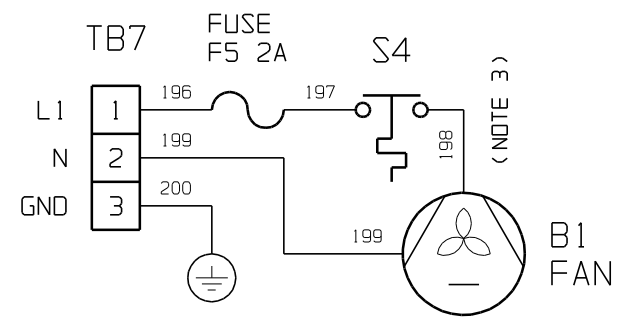
SECTION A-A



SECTION C-C



USER-SUPPLIED
FAN POWER INPUT
120VAC-1PH-60Hz
(SEE NOTE 2)



NOTES:

- 1) THIS DRAWING DEPICTS A NEMA TYPE 4 ENCLOSURE, HOUSING A STANDARD NEMA-1 AT10.1 SERIES BATTERY CHARGER. SEE JE5025-00 FOR INTERNAL STYLE-5017 ENCLOSURE DIMENSIONS.
- 2) TB7 3-POS FAN EXTERNAL POWER TERMINAL BLOCK BARRIER TYPE, 6-32 BINDER HEAD SCREW TERMINAL, WILL ACCOMMODATE LUGS FOR #16-14 AWG WIRE.
- 3) VENTING FAN (B1) IS INTERMITTENT, ACTIVATED BY THERMAL SWITCH (S4), WHICH CLOSES ON RISE AT 85°F / 29.4°C AND IS SELF-RESETTING.
- 4) ENCLOSURE INTERNAL FINISH IS SEMI-GLOSS WHITE.

WIRE LIST:

No.	FROM	TO	GA	COLOR
196	TB7-L1	F5-1	14	BLACK
197	F5-2	S4-1	14	BLACK
198	S4-2	B1-1	14	BLACK
199	B1-2	TB7-N	14	BLACK
200	TB7-GND	CHASSIS GROUND	12	GRN/YEL

THIRD ANGLE PROJECTION		TITLE AT10.1 SERIES BATTERY CHARGER OUTLINE: NEMA-4 (12/13) ENCLOSURE - ST-5036 CABINET	
DRAWN BY MCR APPROVED GRB	040605 040605	DRAWING No JE5073-00	REV 1 B
SCALE NTS	PART No JE5073-00	SHEET 2 OF 2	