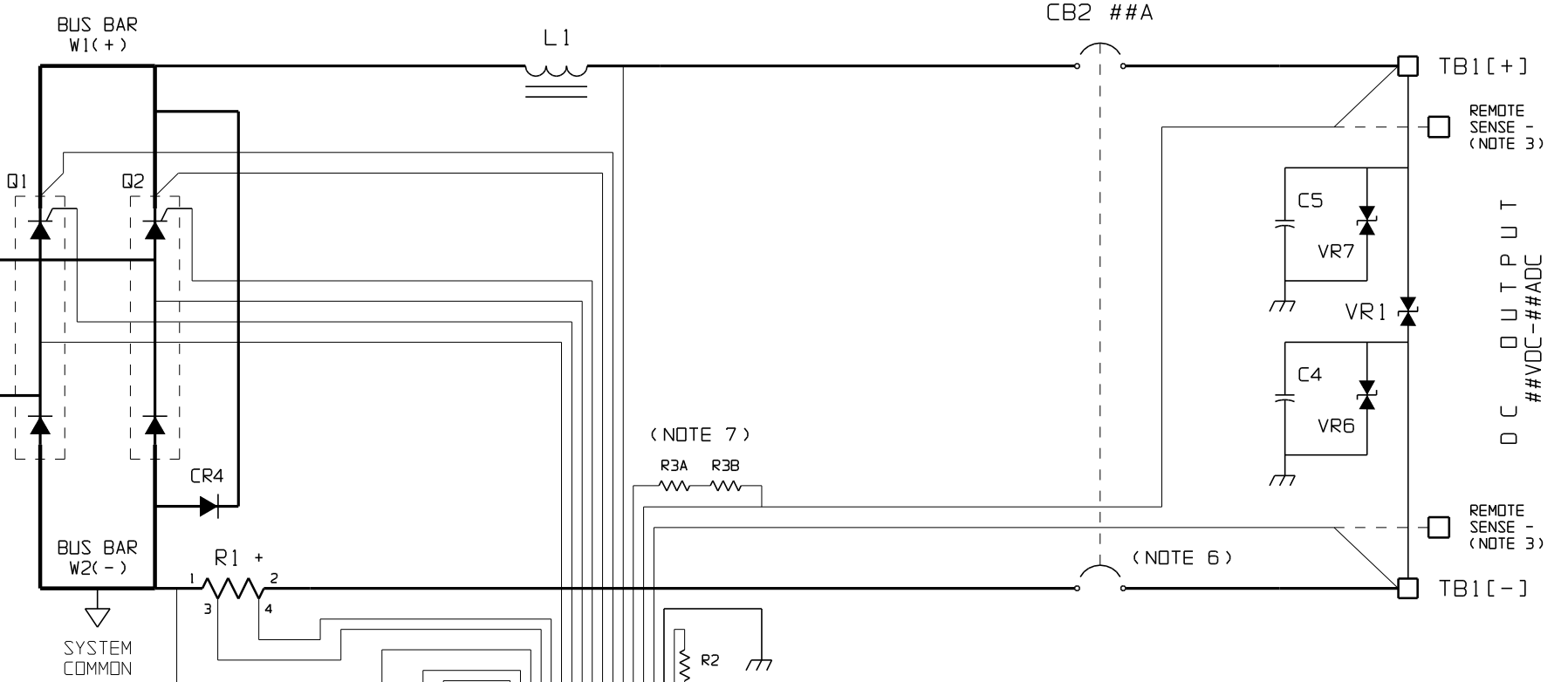
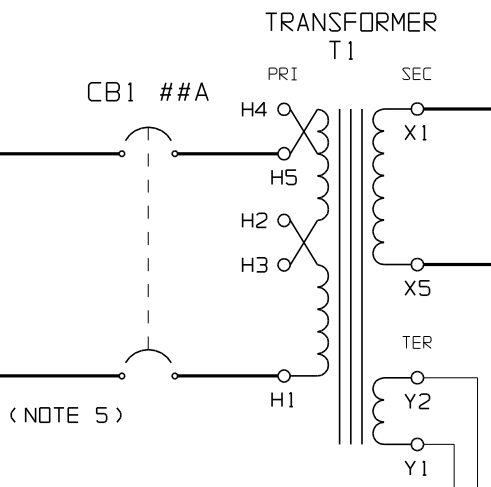


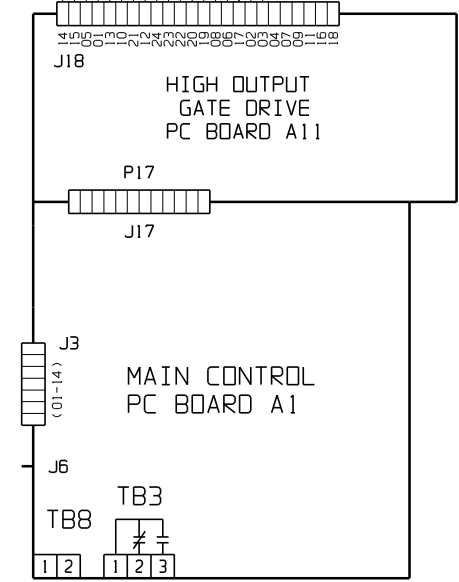
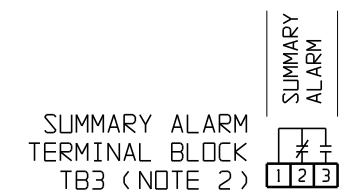
STANDARD TRANSFORMER (NOTE 4)

INPUT	JUMPER
120	H1-H3, H2-H5
208	H2-H4 (2)
240	H2-H3 (2)



- NOTES:**
- 1) FOR COMPONENT DETAILS OF ALL PC BOARDS (A1, A5, A11, etc.) SEE DRAWING JE5030-2#.
  - 2) ALL ALARM CONTACTS SHOWN IN NON-ALARM STATE. CONTACT RATING IS 0.5A @ 125VAC/VDC RESISTIVE.
  - 3) WHEN REMOTE SENSE IS USED, THE VOLTAGE SENSE LEADS RUN FROM A11-J18-06 TO REMOTE SENSE(-), AND FROM A11-J18-08 TO REMOTE SENSE(+). REFER TO CONNECTION DIAGRAM FOR WIRING DETAILS.
  - 4) UNLESS SPECIALLY ORDERED, POWER ISOLATION TRANSFORMER (T1) IS NOT RE-TAPPABLE, AND IS ONLY RATED FOR LISTED AC INPUT VOLTAGE. OPTIONAL 480VAC INPUT TRANSFORMER (T1) DOES NOT FEATURE TAPS (H2, H3 & H4).
  - 5) AC INPUT PROTECTION CONSISTS OF ONE (1) TWO-POLE CIRCUIT BREAKER (CB1).
  - 6) DC OUTPUT PROTECTION CONSISTS OF ONE (1) TWO-POLE CIRCUIT BREAKER (CB2).
  - 7) BALLAST RESISTORS (R3A/R3B) ARE FEATURED EXTERNALLY AS SHOWN FOR 130VDC UNITS. 48VDC UNITS FEATURE ONE (1) EXTERNAL BALLAST RESISTOR (R3). FOR 12 & 24VDC UNITS, BALLAST RESISTOR (R3) IS FEATURED INTERNALLY ON GATE DRIVE PC BOARD (A11), AND J18-19 CONNECTION IS NOT USED.
  - 8) SPECIAL AC INPUT VOLTAGE OPTIONS ALSO AVAILABLE: 220, 380 OR 416 VAC 50/60 Hz

FEATURED OPTIONS:  
 - AC INPUT CIRCUIT BREAKER  
 - DC OUTPUT CIRCUIT BREAKER



				THIRD ANGLE PROJECTION		 1075 Saint John Street Easton, PA 18042-6661 PH 610-330-9000 FAX 610-330-8510 www.hindlepowerinc.com	
2	E2141	091305		DRAWN BY	MCR	022003	TITLE AT10.1 SERIES BATTERY CHARGER SCHEMATIC: GROUP II (30-100ADC) STANDARD - W/O OPTIONS
1	E1203	040703	<i>OK</i>	APPROVED	<i>OK</i>	022003	DRAWING No <b>JE5032-00</b> REV 2 <b>B</b>
0	E1142	022003	<i>OK</i>	UNLESS OTHERWISE NOTED DIMENSIONS ARE IN INCHES. TOLERANCES ARE:			SCALE NTS PART No JE5032-00 SHEET 1 OF 1
REV	ECN No	DATE	APP				