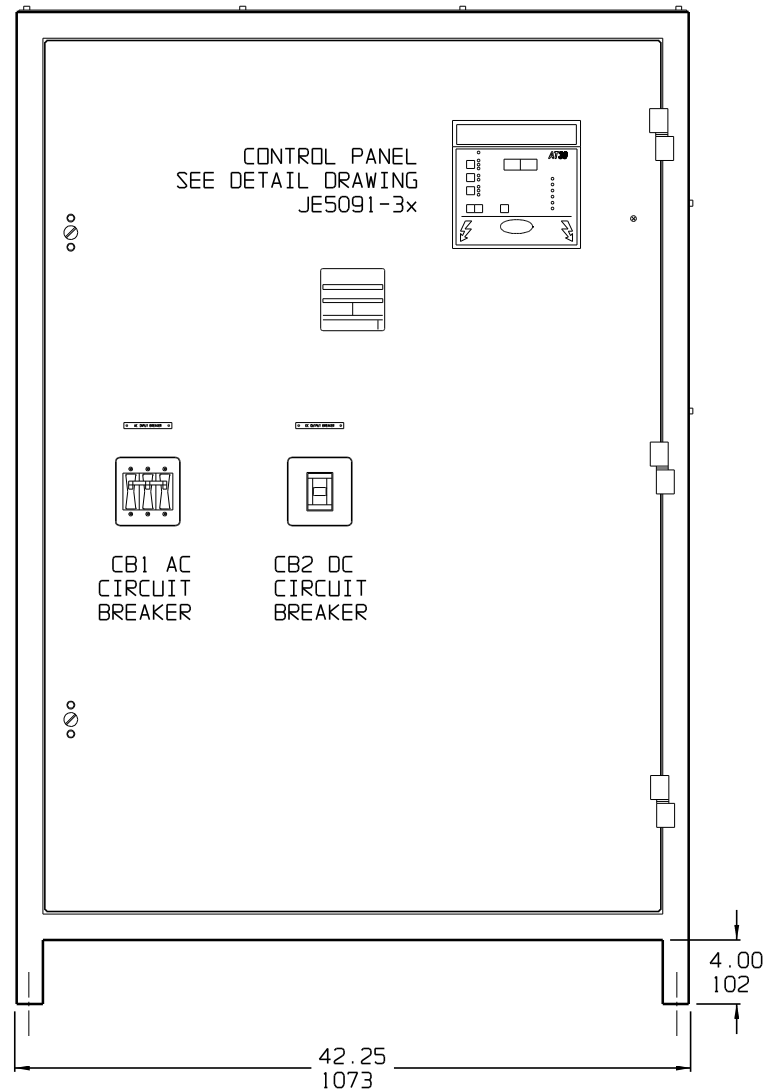
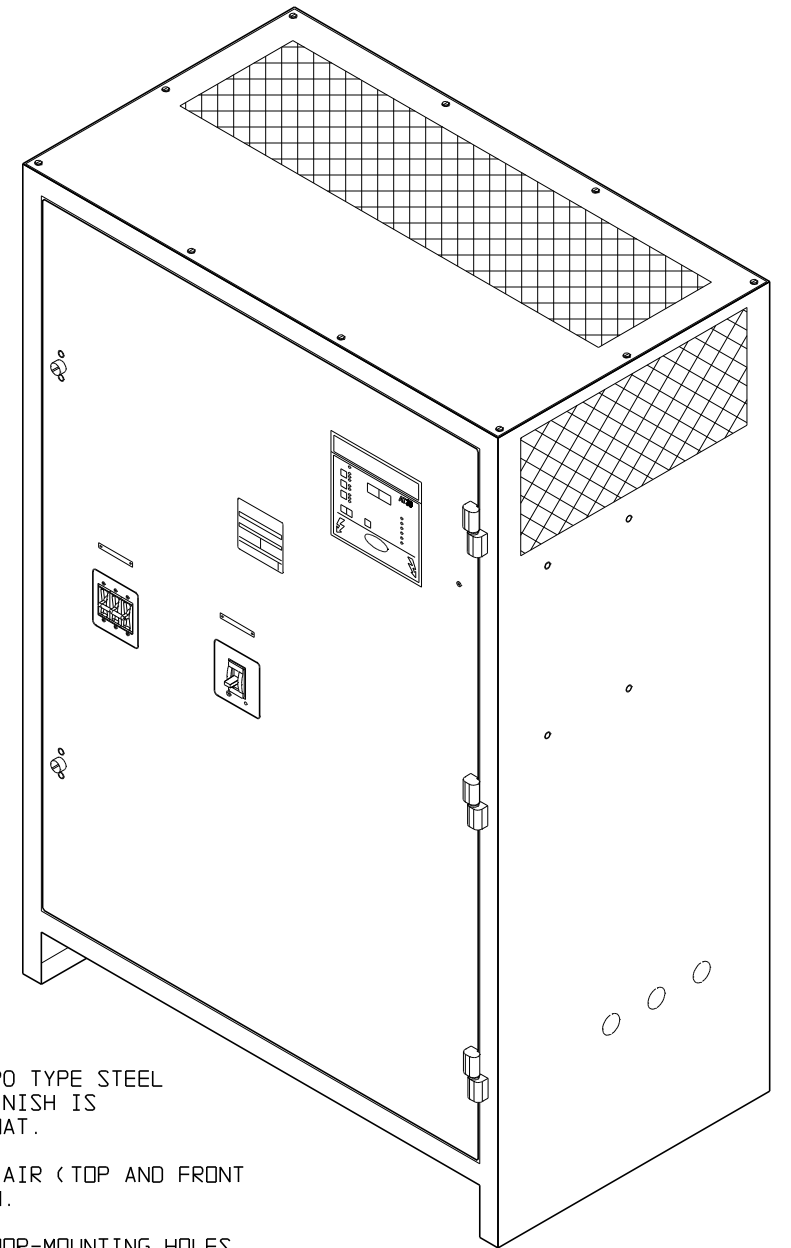
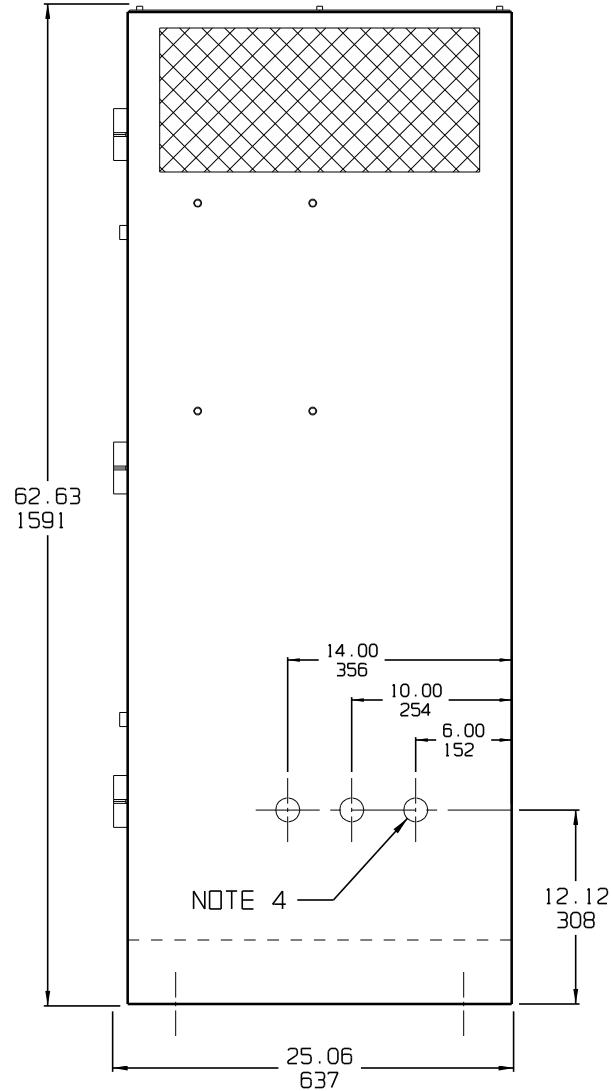


FRONT VIEW



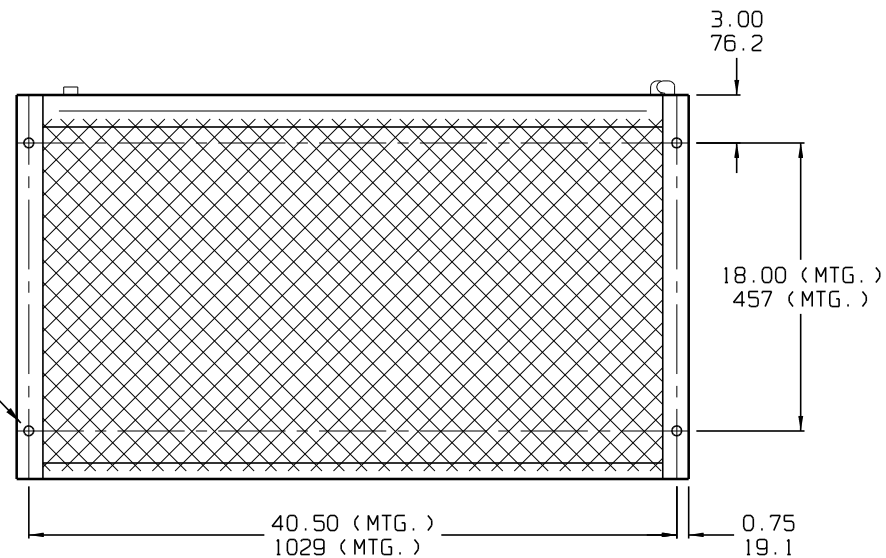
SIDE VIEW



NOTES:

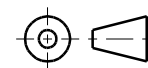
- 1) ENCLOSURE IS A NEMA-1 / IP20 TYPE STEEL CABINET WITHOUT GASKETS, FINISH IS ANSI-61 GRAY EPOXY POWDERCOAT.
- 2) ALLOW 12in / 305mm OF FREE AIR (TOP AND FRONT OF CABINET) FOR VENTILATION.
- 3) FOUR (4) 0.625in / 16mm FLOOR-MOUNTING HOLES ARE PROVIDED ON BOTTOM OF ENCLOSURE AS SHOWN.
- 4) SIX (6) 1.31in / 33mm DIA STANDARD PRE-FAB CONDUIT KNOCKOUTS ARE PROVIDED AS SHOWN FOR 1in / 25mm CABLE ENTRY. BOTTOM CONDUIT ENTRY IS POSSIBLE THROUGH EXPANDED METAL UNDERSIDE. IF ADDITIONAL CONDUIT ENTRANCES ARE REQUIRED, ENCLOSURE SHOULD BE FIELD-MODIFIED BY INSTALLER.
- 5) BATTERY CHARGER SHIPPING WEIGHT: (SEE PRODUCT LITERATURE)

NOTE 3



BOTTOM VIEW

DUAL DIMENSIONS in mm



THIRD ANGLE PROJECTION



1075 Saint John Street
 Easton, PA 18042-6661
 PH 610-330-9000 FAX 610-330-8510
 www.hindlepowerinc.com

DRAWN BY MCR 092506
 APPROVED

TITLE AT30 BATTERY CHARGER OUTLINE:
 NEMA-1 STYLE-163 ENCLOSURE

DRAWING No JE5095-00 REV 0 **B**

0	20343	092506	
REV	ECN No	DATE	APP

UNLESS OTHERWISE NOTED DIMENSIONS ARE IN INCHES. TOLERANCES ARE:

SCALE NTS PART No JE5095-00 SHEET 1 OF 1