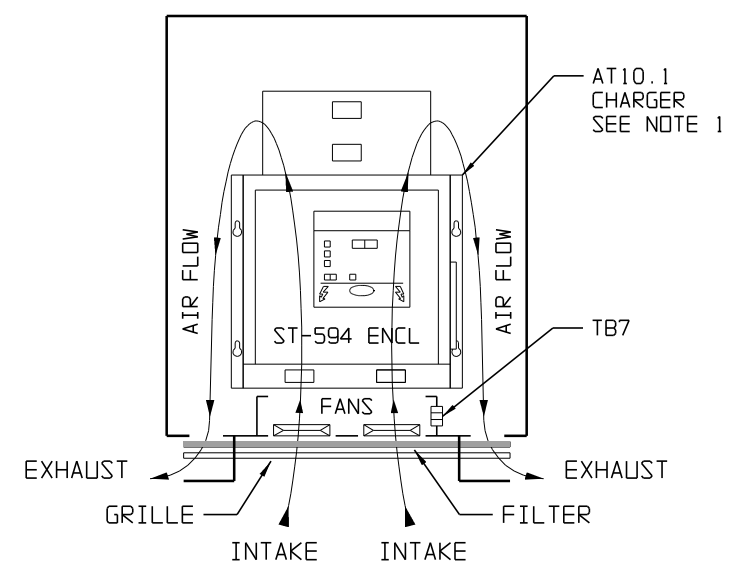


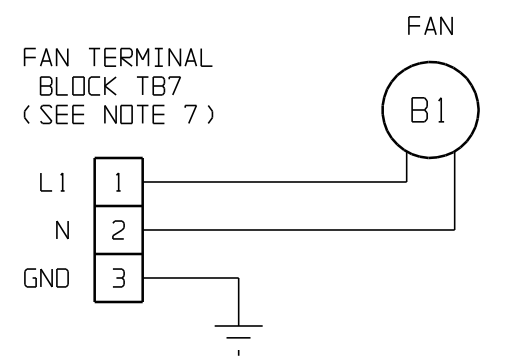
OPERATION



NOTES:

- 1) DRAWING DEPICTS A NEMA-4 (WHICH MEETS BOTH NEMA-12 AND NEMA-13 SPECIFICATIONS) TYPE ENCLOSURE ASSEMBLY, HOUSING AN AT10.1 BATTERY CHARGER. SEE DRAWING JE5023-## (STYLE-586) OR JE5024-## (STYLE-594) FOR STANDARD AT10.1 NEMA-1 TYPE ENCLOSURE DIMENSIONS.
- 2) NEOPRENE GASKET, THREE (3) INTERNAL HINGES, AND TWO (2) CHROME-PLATED 1/4-TURN SLOTTED DOOR LATCHES SUPPLIED TO MEET NEMA-4 (AND NEMA-12/13) TYPE ENCLOSURE SPECIFICATIONS.
- 3) EXTERNAL FINISH IS ANSI-61 GRAY EPOXY POWDERCOAT, INTERNAL FINISH IS SEMIGLOSS WHITE.
- 4) NEMA-4 TYPE ENCLOSURES FEATURE NO PRE-FABRICATION PROVISIONS FOR CONDUIT ENTRANCE. CABINET SHOULD BE FIELD-MODIFIED BY INSTALLER AS NEEDED FOR I/O.
- 5) ENCLOSURE TO BE WALL-MOUNTED AS DIMENSIONED. CABINET IS NOT DESIGNED FOR FLOOR MOUNTING.
- 6) ALLOW 6in / 153mm OF FREE AIR AT BOTTOM OF ENCLOSURE FOR VENTILATION.
- 7) TB7 3-PDS FAN EXTERNAL POWER TERMINAL BLOCK, BARRIER TYPE, 6-32 BINDER HEAD SCREW TERMINAL, WILL ACCOMMODATE LUGS FOR #16-14 AWG WIRE.
- 8) SHIPPING WEIGHT OF ENTIRE CHARGER/NEMA-4 CABINET ASSEMBLY IS APPROXIMATELY 187 lb / 85kg ABOVE STANDARD CHARGER (see product literature).

COOLING FAN INPUT POWER SCHEMATIC



DUAL DIMENSIONS in mm

			THIRD ANGLE PROJECTION		1075 Saint John Street Easton, PA 18042-6661 PH 610-330-9000 FAX 610-330-8510 www.hindlepowerinc.com	
			DRAWN BY MCR 041503		TITLE AT10.1 SERIES BATTERY CHARGER OUTLINE: NEMA-4/12/13 STYLE-214 ENCLOSURE	
1	21444	120508	ELECTRONIC APPROVAL SIGNATURES MAINTAINED BY MFG ECN LOG		DRAWING No JE5068-00 REV 1 B	
0	E1208	041503	UNLESS OTHERWISE NOTED DIMENSIONS ARE IN INCHES. TOLERANCES ARE:		SCALE NTS PART No JE5068-00 SHEET 1 OF 1	
REV	ECN No	DATE				