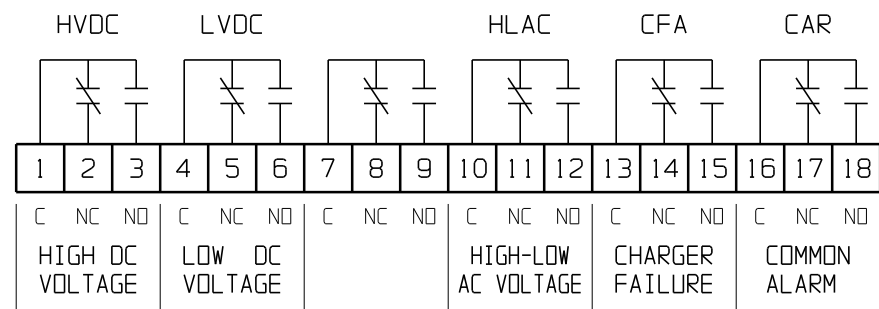
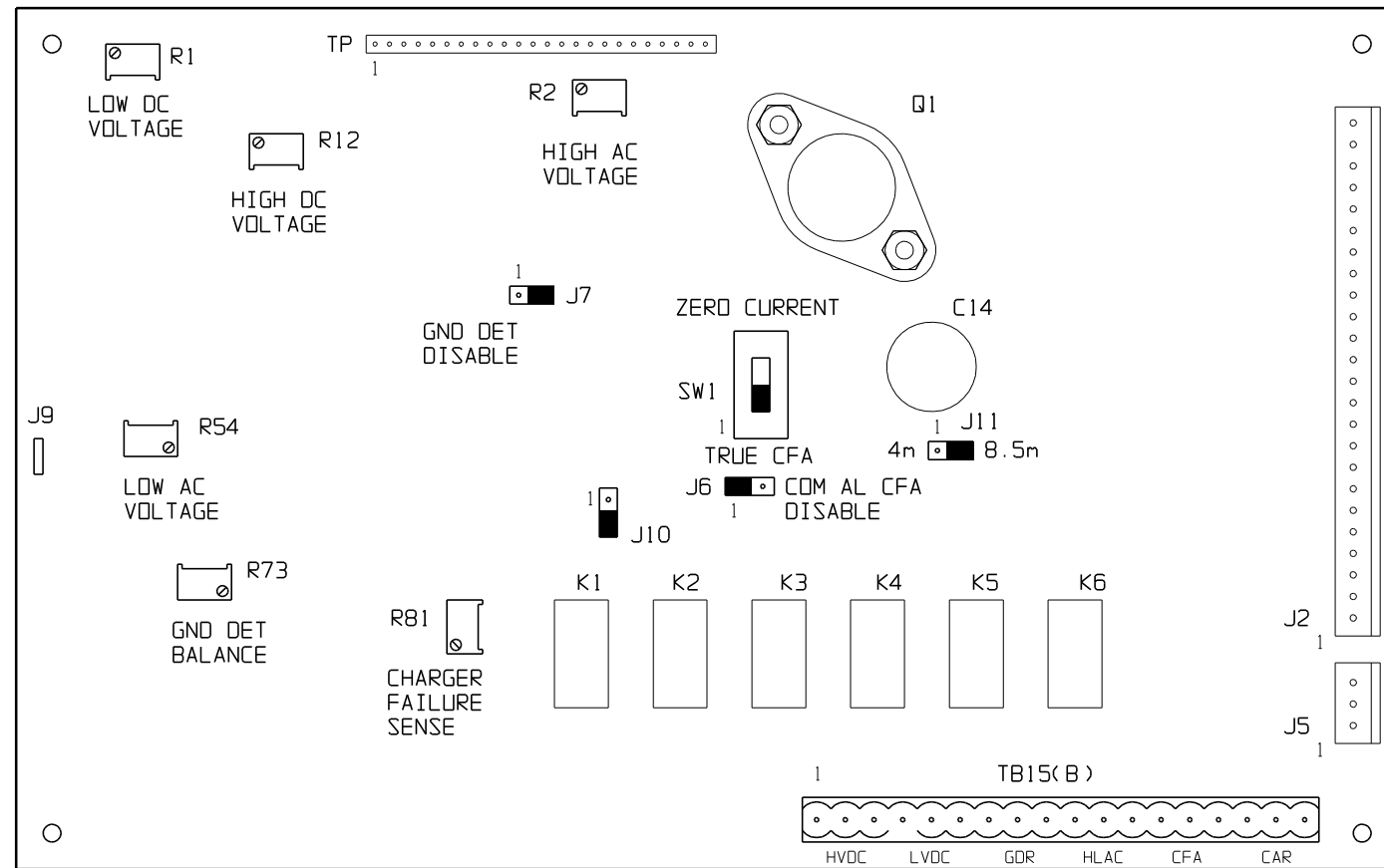
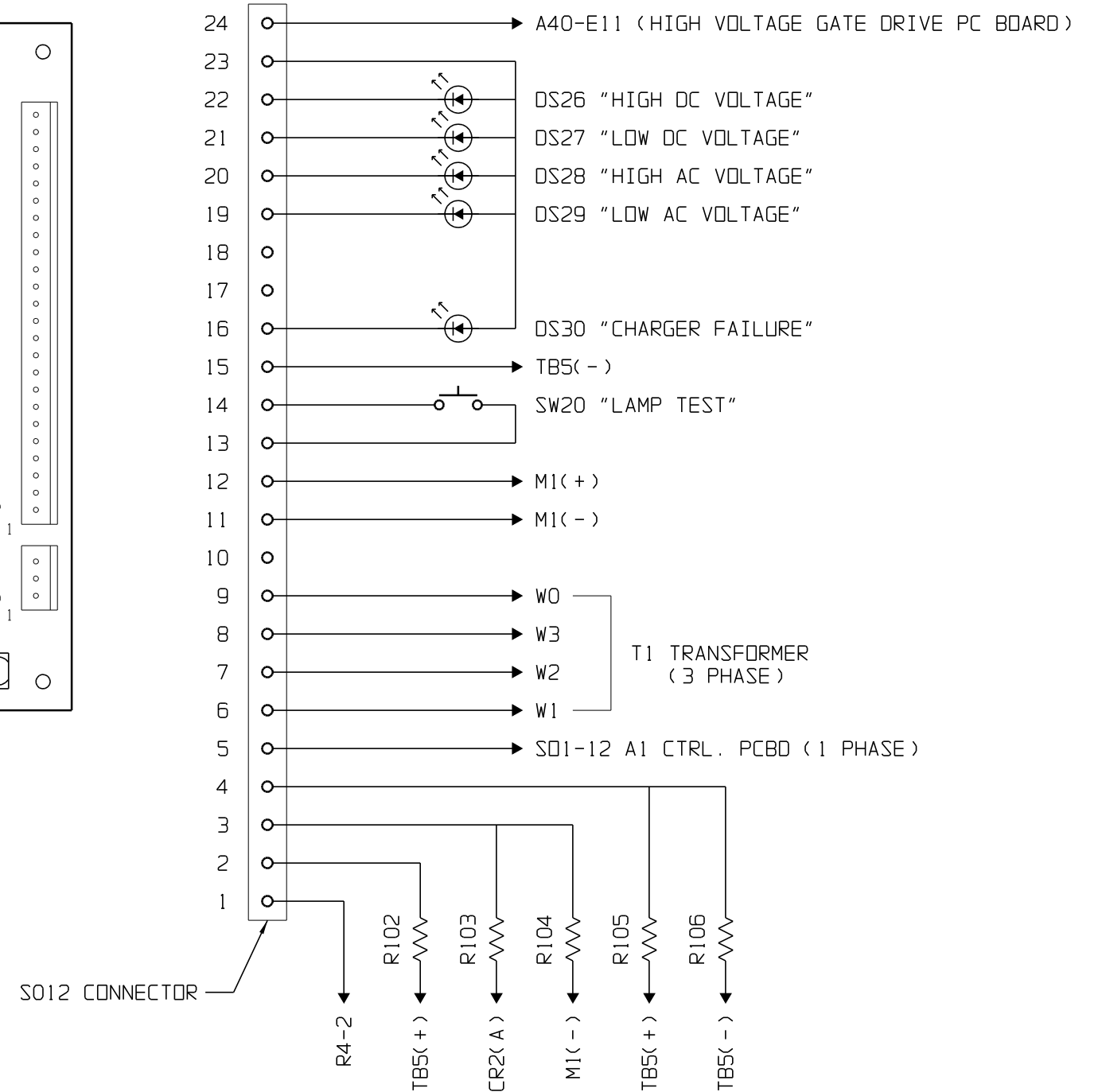


EN0014 PCBD. ASSEMBLY A24 COMBINED ALARM-STATUS CHARGER MONITOR

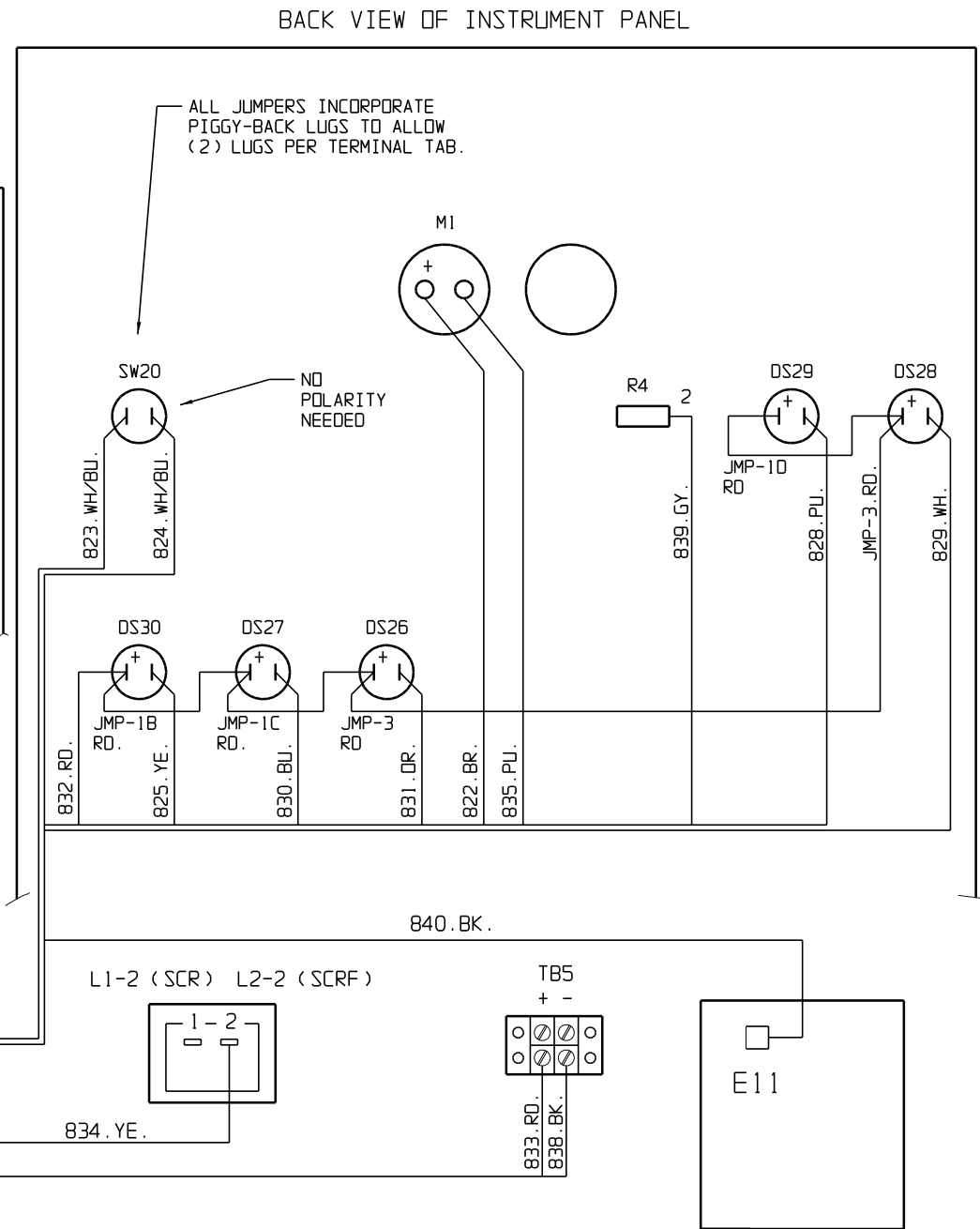
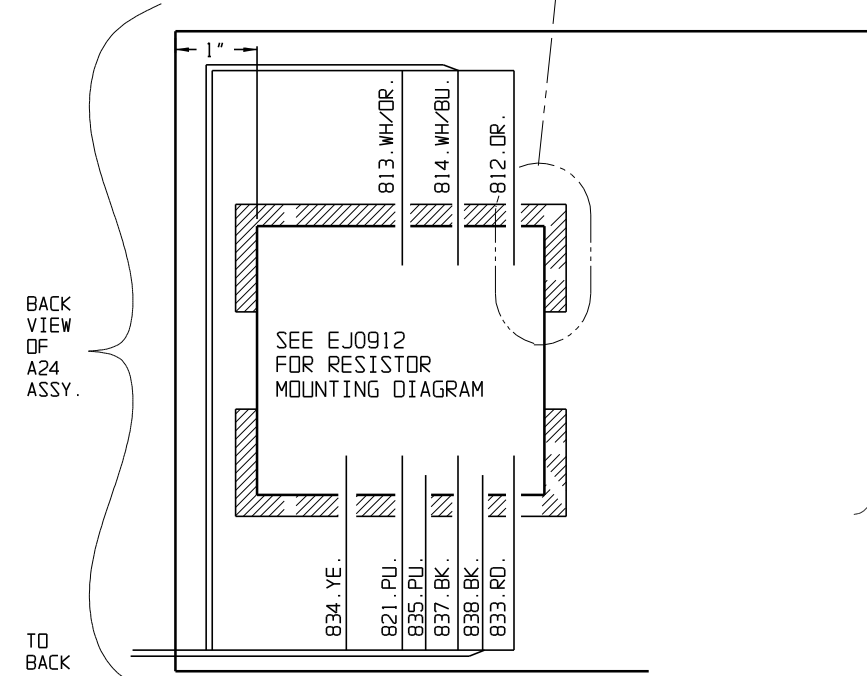
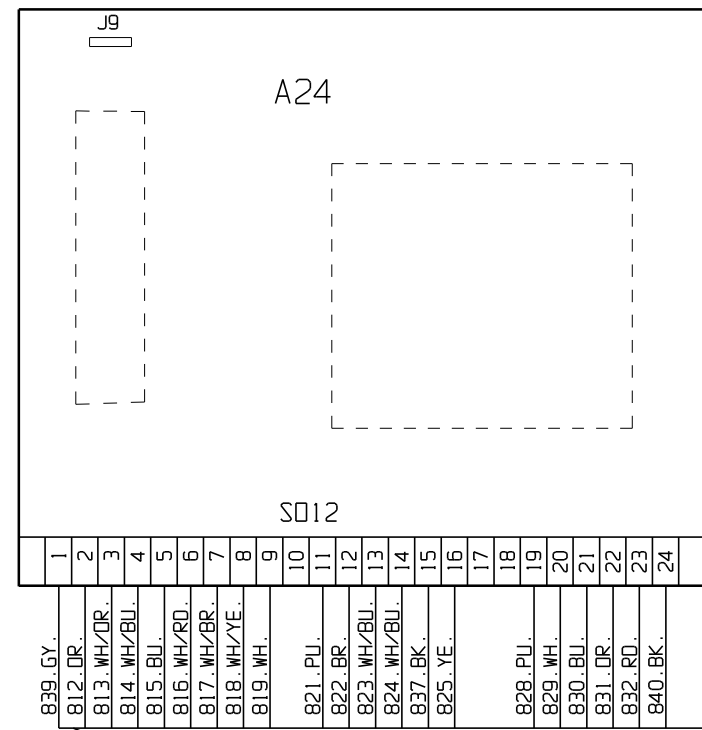
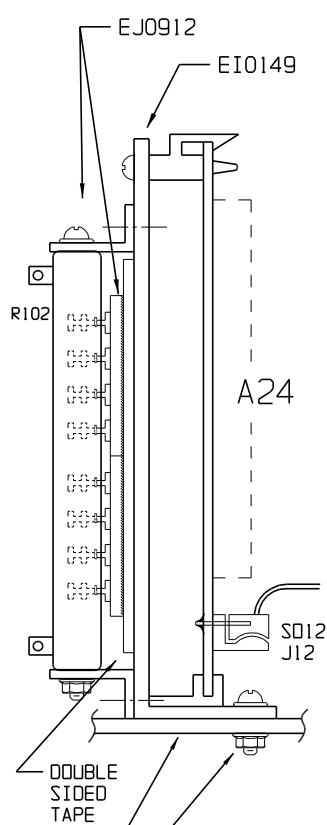
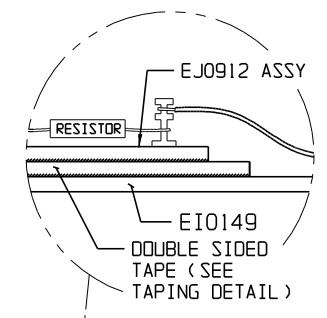
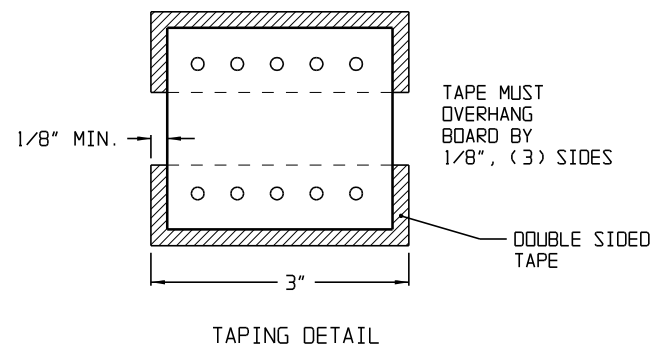
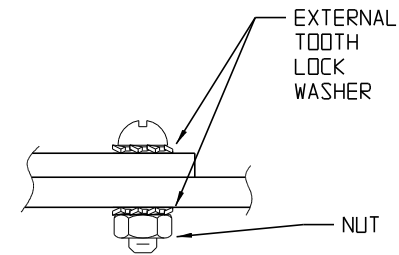


NOTES:

- 1) TB15 CONTACTS SHOWN IN NON-ALARM CONDITION. CONTACTS ARE RATED 0.5A, 125V AC/DC RESISTIVE.
- 2) S012 CONNECTOR ENGAGES WITH J2 ON BOARD.
- 3) JUMPERS FOR J6 AND J7 SHOWN IN "ENABLE" POSITION. (SEE MANUAL SECTION 5-19 FOR DETAILS)
- 4) J10 IS FOR FACTORY USE ONLY.
- 5) J11 SHOWN IN "8.5 MINUTE" POSITION. (SEE MANUAL SECTION 5-19 FOR DETAILS)
- 6) SW1 SHOWN IN "TRUE CFA" POSITION.



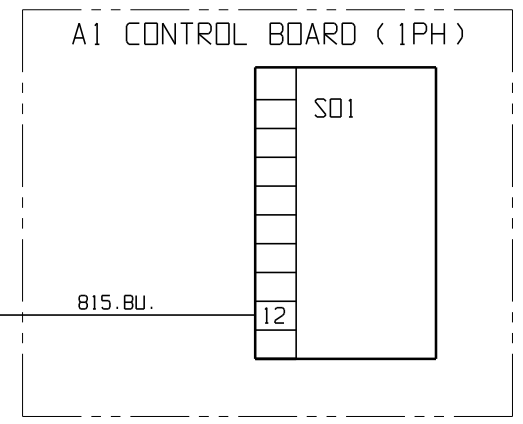
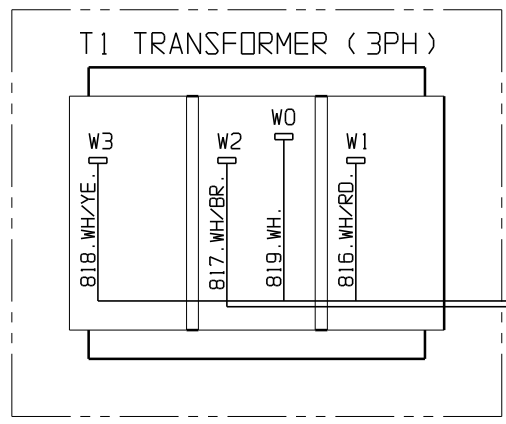
12	E0582	101001		THIRD ANGLE PROJECTION	DRAWN BY CIA 091990	APPROVED WKB 020296	TITLE COMBINED ALARM-STATUS MONITOR (CASM) SCR/SCRFB BATTERY CHARGER (300-600V)		
11	14451	081597	MCT				DRAWING No EJ0837-HX		
10	13880	012797	MCT	UNLESS OTHERWISE NOTED DIMENSIONS ARE IN INCHES. TOLERANCES ARE:			SCALE NTS PART No EJ0837-HX SHEET 1 OF 2		
9	13637	110496	WKB						
8	12764	020296	WKB						
REV	ECN No	DATE	APP						



- (2) 10-32 x 1/2 RHMS
- (2) ETL WASHER
- (1) SFL NUT
- (1) HEX NUT
- (1) GND LOADING (SEE DETAIL)

INDICATES A WIRE BUNDLE OF (2) OR MORE WIRES. WIRE BREAKOUTS FROM MAIN HARNESS BUNDLE AS SHOWN ABOVE DO NOT REPRESENT ACTUAL PLACEMENT OF BREAKOUT IN BATTERY CHARGER.

- RELATED DRAWINGS:
- EH0649 - WIRE HARNESS
 - EI0149 - MOUNTING BRACKET
 - EJ0912 - RESISTOR ASSEMBLY
 - EN0014 - A24 (PCBD)



THIRD ANGLE PROJECTION		TITLE COMBINED ALARM-STATUS MONITOR (CASM) 300-600V MECHANICAL AND ELECTRICAL CONFIGURATION	
DRAWN BY CIA	091990	DRAWING No	EJ0837-HX
APPROVED WKB	020296	REV	12B
UNLESS OTHERWISE NOTED DIMENSIONS ARE IN INCHES. TOLERANCES ARE:		SCALE	NTS
		PART No	EJ0837-HX
		SHEET	2 OF 2