

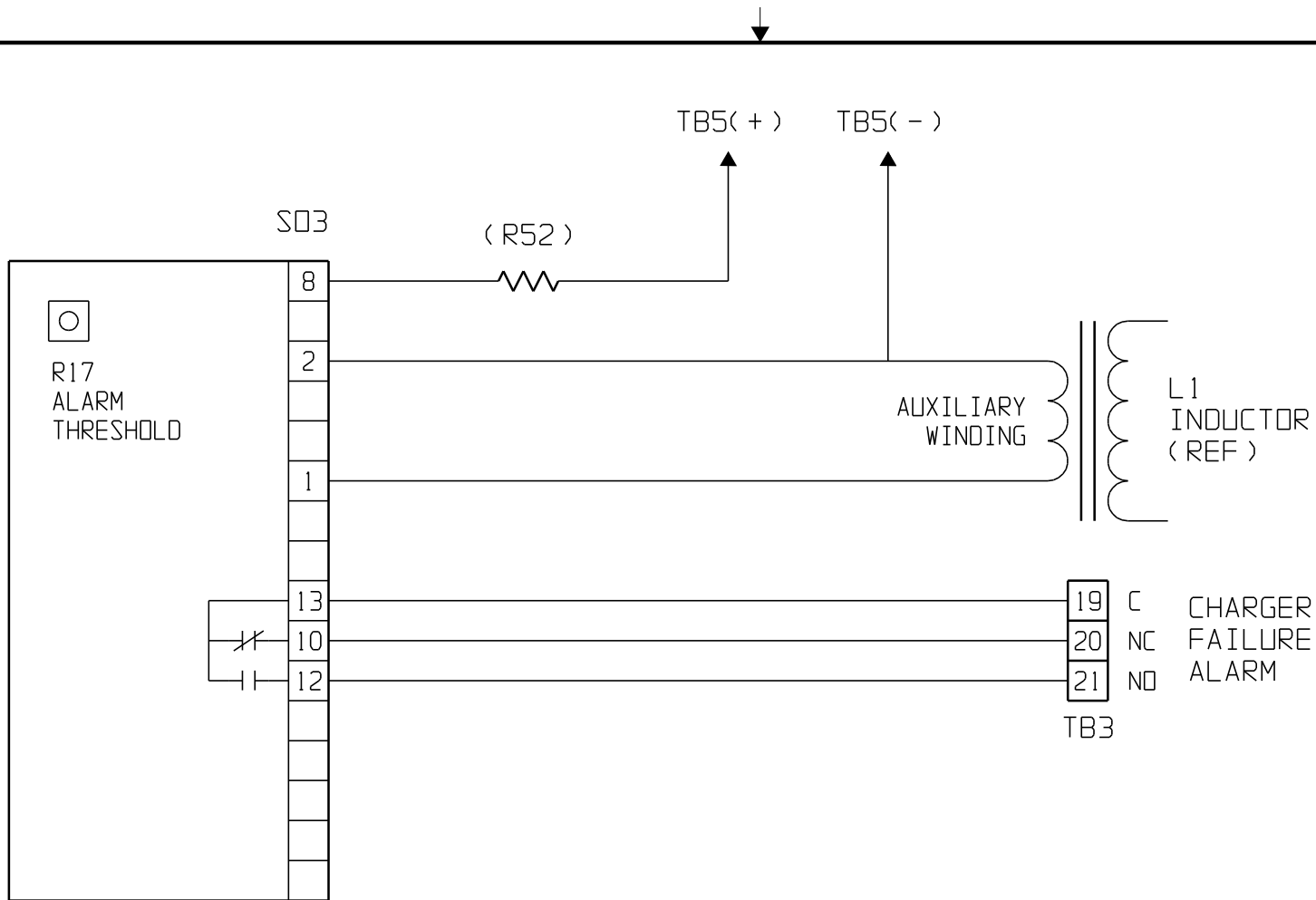
PC BOARD ASSY. A3

"CHARGER FAILURE"
(DS07)

NOTES:

- 1) ALL CONTACTS ARE SHOWN IN THE NON-ALARM CONDITION.
- 2) R52 IS NOT USED ON EJ0127-01 AND EJ0127-11 (12VDC CHGR).
- 2) R85 IS ONLY USED ON EJ0127-15 (48VDC CHGR) AND EJ0127-17 (260VDC CHGR).

6	E0539	090701		 THIRD ANGLE PROJECTION	TITLE CHARGER FAILURE ALARM - SCHEMATIC: WITH ONE (1) FORM-C CONTACTS & INDICATOR				
SE	12747	012996	WAH						
5D	11821	031095	MCT	DRAWN BY	CZA	071394	DRAWING No EJ0127-XX	REV 6A A	
5C	11167	071394	MCT	APPROVED	MCT	071394			
5B	6808	032190	MCT	UNLESS OTHERWISE NOTED DIMENSIONS ARE IN INCHES. TOLERANCES ARE:			SCALE NTS	PART No EJ0127-XX	SHEET 1 OF 5
REV	ECN No	DATE	APP						

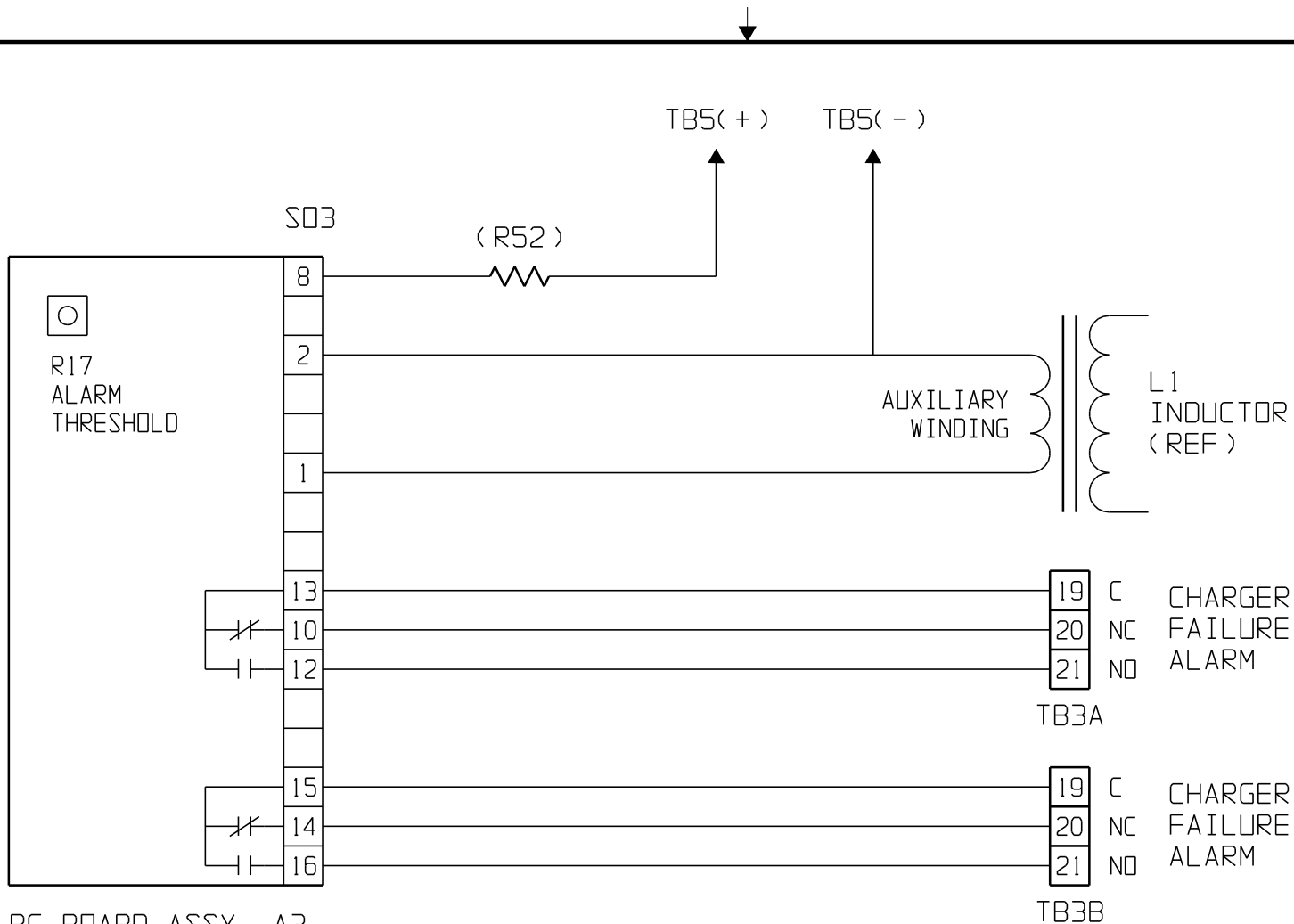


PC BOARD ASSY. A3

NOTES:

- 1) ALL CONTACTS ARE SHOWN IN THE NON-ALARM CONDITION.
- 2) R52 IS NOT USED ON EJ0127-01 AND EJ0127-11 (12VDC CHGR).

THIRD ANGLE PROJECTION			
DRAWN BY <u>CZA</u> APPROVED <u>MCT</u>	071394 071394	TITLE CHARGER FAILURE ALARM - SCHEMATIC: WITH ONE (1) FORM-C CONTACTS	
UNLESS OTHERWISE NOTED DIMENSIONS ARE IN INCHES. TOLERANCES ARE:		DRAWING No EJ0127-XX	REV 6A A
SCALE NTS	PART No EJ0127-XX	SHEET 2 OF 5	

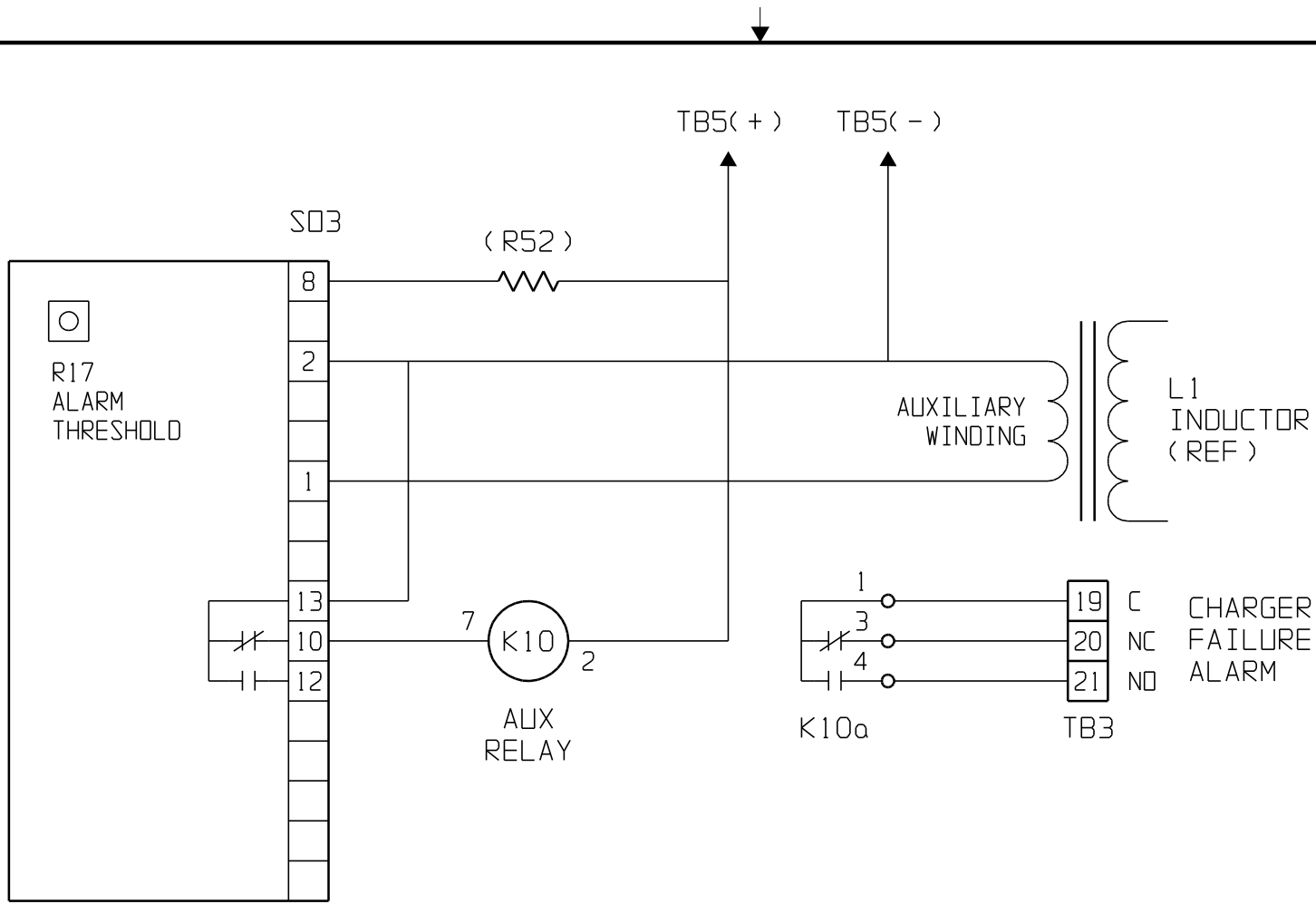


PC BOARD ASSY. A3

NOTES:

- 1) ALL CONTACTS ARE SHOWN IN THE NON-ALARM CONDITION.
- 2) R52 IS NOT USED ON EJ0127-01 AND EJ0127-11 (12VDC CHGR).

THIRD ANGLE PROJECTION				
DRAWN BY <u>CZA</u> APPROVED <u>MCT</u>	071394 071394	TITLE CHARGER FAILURE ALARM - SCHEMATIC: WITH TWO (2) FORM-C CONTACTS		
UNLESS OTHERWISE NOTED DIMENSIONS ARE IN INCHES. TOLERANCES ARE:		DRAWING No EJ0127-XX	REV 6A	A
SCALE	NTS	PART No	EJ0127-XX	SHEET 3 OF 5

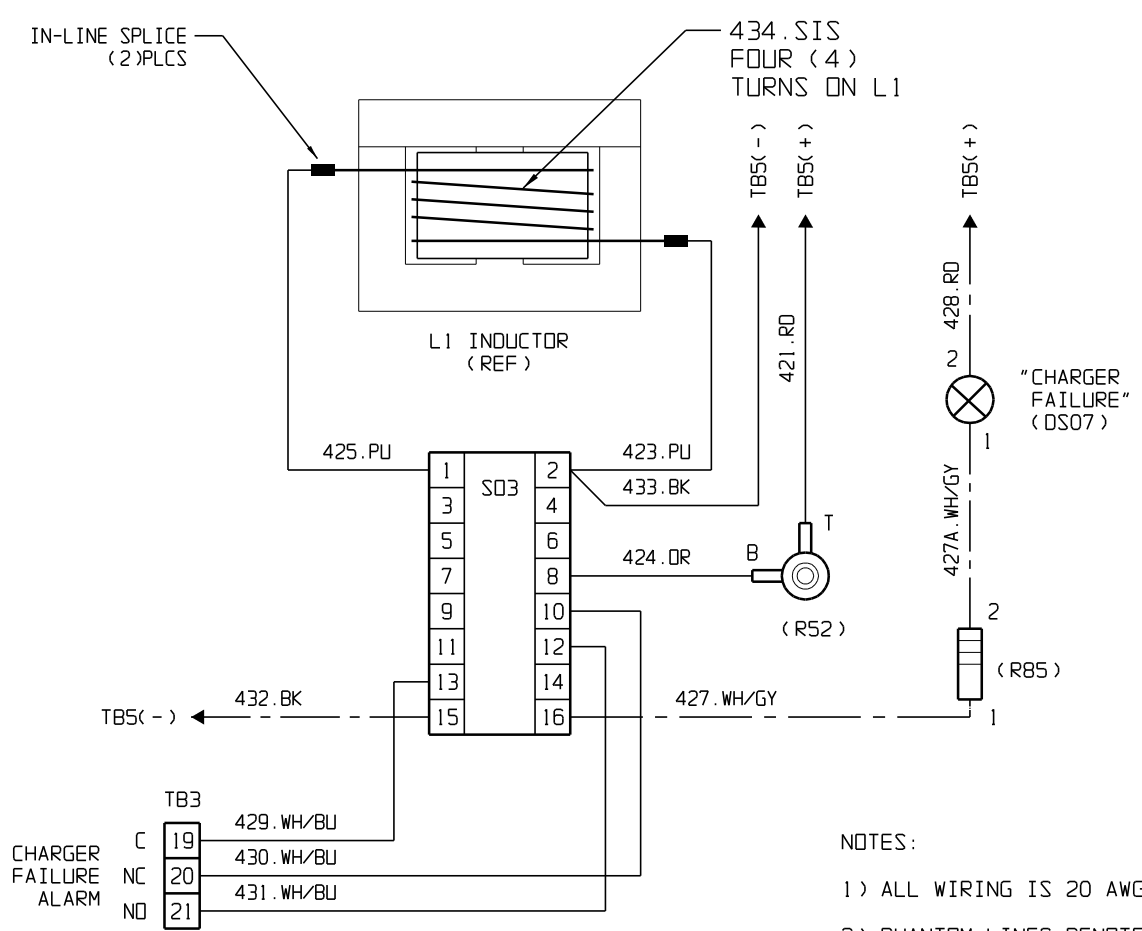


PC BOARD ASSY. A3

NOTES:

- 1) ALL CONTACTS ARE SHOWN IN THE NON-ALARM CONDITION.
- 2) R52 IS NOT USED ON EJ0127-01 AND EJ0127-11 (12VDC CHGR).

THIRD ANGLE PROJECTION				
DRAWN BY	CZA	071394	TITLE	CHARGER FAILURE ALARM - SCHEMATIC: WITH ONE (1) FORM-C CONTACTS & AUX RELAY
APPROVED	MCT	071394	DRAWING No	EJ0127-XX
UNLESS OTHERWISE NOTED DIMENSIONS ARE IN INCHES. TOLERANCES ARE:			REV	6A
SCALE		NTS	PART No	EJ0127-XX
			SHEET	4 OF 5



W I R E L I S T			
No.	CODE	FROM	TO
421	RD	TB5(+)	R52-T
423	PU	SO3-02	L1-#434
424	OR	SO3-08	R52-B
425	PU	SO3-01	L1-#434
429	WH/BU	SO3-13	TB3-19
430	WH/BU	SO3-10	TB3-20
431	WH/BU	SO3-12	TB3-21
433	BK	SO3-02	TB5(-)
434	SIS	(4) TURNS ON L1	
W I R E L I S T (I N D)			
427	WH/GY	SO3-16	R85-1
427A	WH/GY	DS7-1	R85-2
428	RD	DS7-2	TB5(+)
432	BK	SO3-15	TB5(-)

NOTES:

- 1) ALL WIRING IS 20 AWG. UNLESS OTHERWISE SPECIFIED.
- 2) PHANTOM LINES DENOTE INDICATOR WIRING, WHEN APPLICABLE.
- 3) R85 AND WIRE #427A ARE ONLY USED ON EJ0127-15 (48 VDC CHGR) AND EJ0127-17 (260 VDC CHGR).
- 4) R52 AND WIRE #424 ARE NOT USED ON EJ0127-01 AND EJ0127-11 (12VDC CHGR).

		THIRD ANGLE PROJECTION	
DRAWN BY	CZA	071394	TITLE
APPROVED	MCT	071394	CHARGER FAILURE ALARM - WIRE LIST & CONNECTION DIAGRAM WITH ONE (1) FORM-C CONTACTS & INDICATOR
UNLESS OTHERWISE NOTED DIMENSIONS ARE IN INCHES. TOLERANCES ARE:		DRAWING No	REV
		EJ0127-XX	6A
SCALE	NTS	PART No	SHEET
		EJ0127-XX	5 OF 5