

TYPE I - INSTRUCTIONS FOR FIELD INSTALLATION AND/OR REPLACEMENT OF THE BATTERY ELIMINATOR FILTER ASSEMBLY (A8)

THESE INSTRUCTIONS ARE APPLICABLE FOR INSTALLING AND/OR REPLACING THE BATTERY ELIMINATOR FILTER ASSEMBLY A8, FOR ANY AT10 SERIES BATTERY CHARGERS WITH OPTIONS EJ1155-00 AND EJ1155-01. (MODELS 12V, 24V & 48V WITH OUTPUT CURRENT OF 6A-25A AND 130VDC-6A)

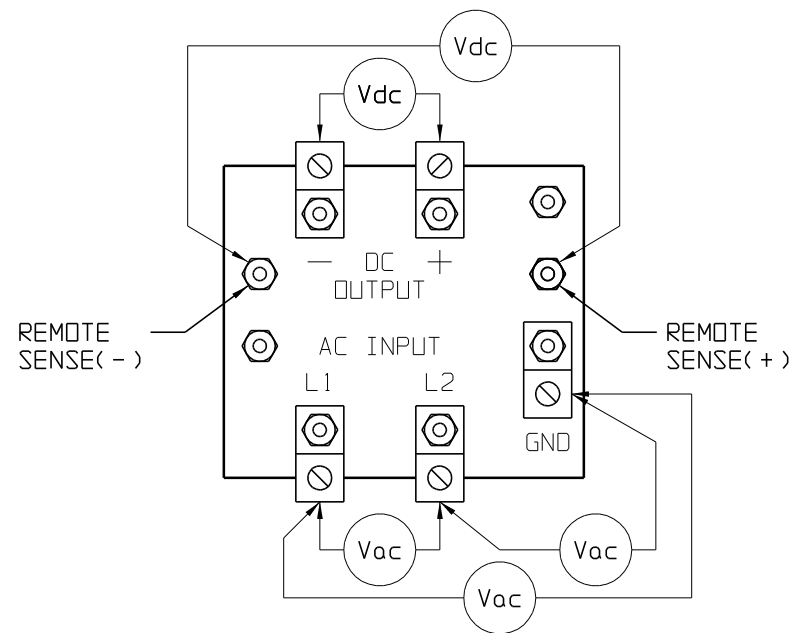
WARNING

DISCONNECT AND LOCK OUT ALL POWER TO THE BATTERY CHARGER BEFORE STARTING ANY MAINTENANCE PROCEDURES. TURN THE AC POWER OFF AT THE DISTRIBUTION PANEL UPSTREAM FROM THE BATTERY CHARGER. DISCONNECT THE BATTERY FROM THE CHARGER OUTPUT TERMINALS. THIS INCLUDES REMOTE SENSE WIRES IF THEY WERE INSTALLED.

STEP 1. UPON OPENING THE PACKAGE, PLEASE INSPECT AND CHECK THE FOLLOWING ITEMS:

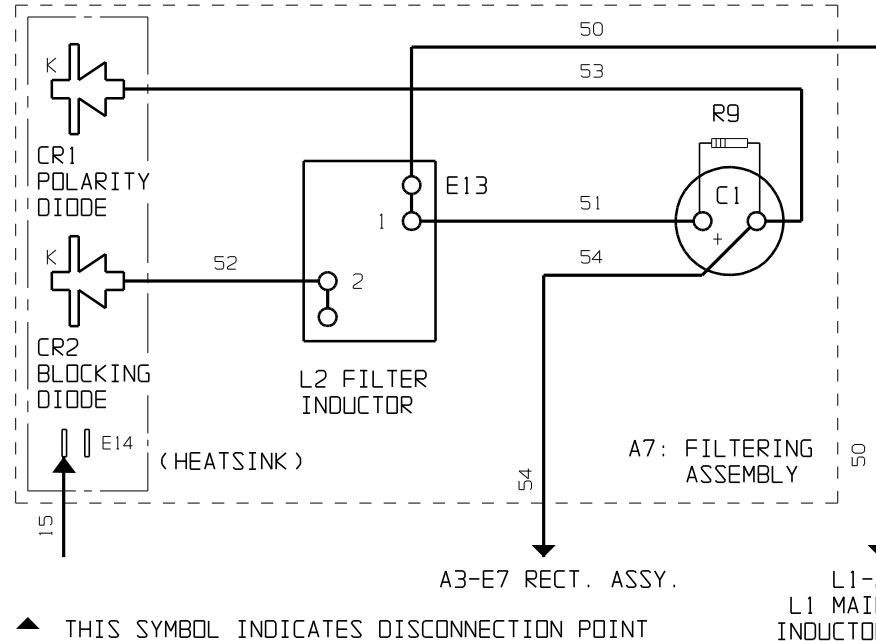
- EH0743-00 WIRE HARNESS AT10 ELIMINATOR, (1).
- PE0082-05 12" NYLON CABLE TIE, (2).
- RP0019-08 CAP. ELECTROLYTIC 7400uFD 200VDC, (1) (EJ1155-01)
- RP0019-09 CAP ELECTROLYTIC 37000uFD 75VDC, (1) (EJ1155-00)

STEP 2. READ "WARNING" ABOVE. PERFORM ALL INSTRUCTIONS AS DESCRIBED. REMOVE SAFETY COVER. USING A VOLTMETER, VERIFY THAT ALL POTENTIAL VOLTAGES ON THE I/O PANEL ARE ZERO.

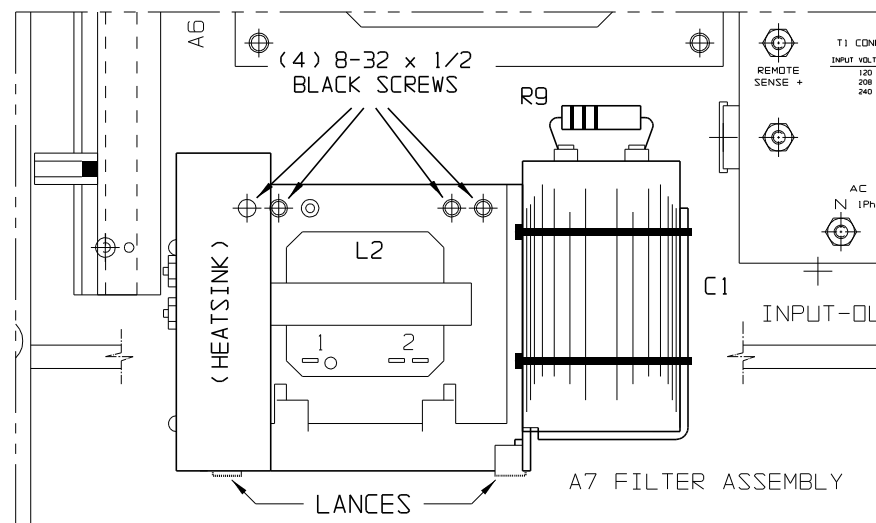


STEP 3. REMOVE THE DC FILTER ASSEMBLY A7 FROM THE AT10 UNIT BY:

- A) DISCONNECT WIRES #15 FROM E14 (HEATSINK), WIRE #50 FROM L1-2 (L1 INDUCTOR) AND WIRE #54 FROM A3-E7 (RECTIFIER).
- B) REMOVE (4) FOUR 8-32 x .5 BLACK SCREWS FROM FILTER ASSY.
- C) REMOVE FILTER ASSEMBLY BY LIFTING IT OUT OF THE METAL LANCES ON THE CHASSIS, ROTATE CCW AND TAKE IT OUT OF THE UNIT SO THAT THE HEATSINK COMES OUT FIRST.



▲ THIS SYMBOL INDICATES DISCONNECTION POINT



STEP 4. SET FILTER ON A WORKING TABLE AND MOUNT THE NEW C2 CAPACITOR SECURE CAP USING THE 12" NYLON WIRE TIE (SEE C1 CAP) NOTICE C1 ORIENTATION AND ALIGN C2(-) WITH C1(-), INSTALL WIRE #61 AND WIRE #60 AS SHOWN BELOW. (FOR MORE WIRING DETAIL REFER TO APPENDIX C OF USER'S MANUAL).

SAFETY NOTE !

CHECK YOUR WORK, READ STEPS AGAIN IF NECESSARY AND MAKE SURE THAT ALL THE INSTRUCTIONS UP TO THIS POINT ARE CORRECT CHECK WIRE CONNECTIONS ON FILTER ASSEMBLY.

NOTICE:

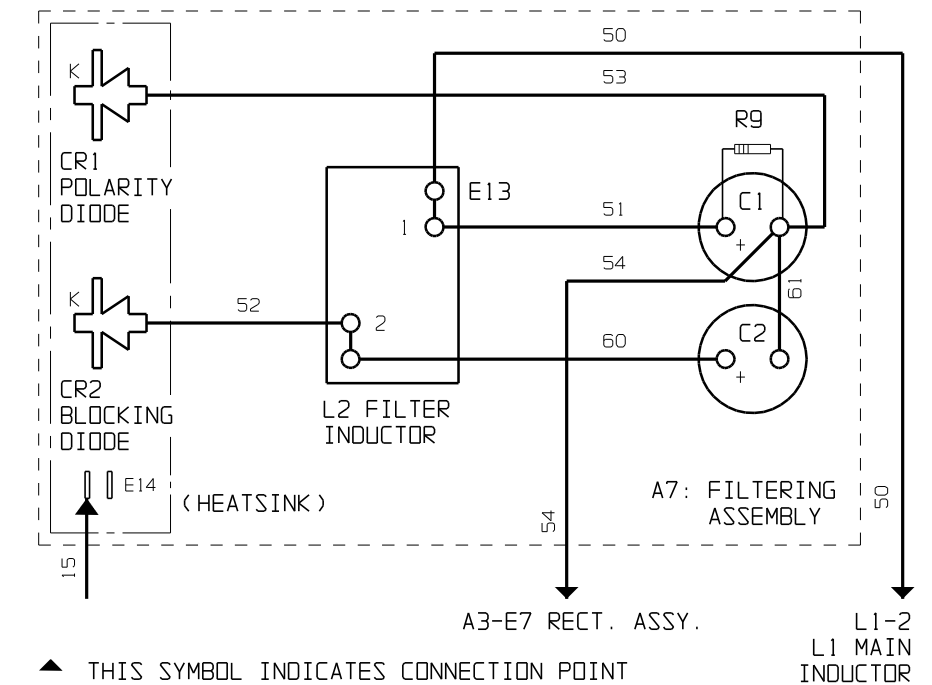
AFTER THIS INSTALLATION IS COMPLETE, PLEASE RECORD ON PAGE i OF USER'S MANUAL AND ON NAMEPLATE THAT UNIT NOW HAS THE ELIMINATOR FILTER OPTION.

STEP 5. RE-INSTALL DC FILTER ELIMINATOR ASSEMBLY INTO THE CHARGER. ONCE IN POSITION SLIP THE TWO LOWER CORNERS OF FILTER ASSY. UNDERNEATH THE LANCES INTO THE CHASSIS. ALONG THE FOUR HOLES IN THE CHASSIS, INSERT FOUR 8-32 x .5 BLACK SCREWS IN THESE HOLES AND TIGHTEN TO 10-15 IN-LBS TORQUE.

STEP 6. RE-CONNECT WIRE #15 TO E14 (HEATSINK), WIRE #50 TO L1-2 INDUCTOR AND WIRE #54 TO A3-E7 RECTIFIER ASSY.

SAFETY NOTE !

CHECK YOUR WORK, MAKE SURE THAT NO OTHER WIRES WERE DISCONNECTED ACCIDENTLY, (REFER TO WIRING DIAGRAM IN APPENDIX C OF USER'S MANUAL) DURING THIS PROCESS.



▲ THIS SYMBOL INDICATES CONNECTION POINT

STEP 7. REPLACE SAFETY SHIELD. CLOSE DOOR AND PROCEED TO RE-ENERGIZE THE AT10 PER START-UP INSTRUCTIONS ACCORDING WITH THE AT10 USER'S MANUAL.

STEP 8. TO VERIFY PROPER OPERATION OF AT10 FILTER ELIMINATOR OPTION, TEST AS FOLLOWS:

1. ENERGIZE AT10 WITH A NOMINAL RESISTIVE LOAD OF ROUGHLY 50% RATED OUTPUT CURRENT. (DO NOT HAVE BATTERY CONNECTED AT THIS TIME).
2. CONNECT AN AC RMS-RESPONDING VOLTMETER, SET ON AC MILLI-VOLTS SCALE ACROSS THE OUTPUT OF THE AT10.

CAUTION ! BE CAREFUL OF ELECTRICAL SHOCK.

3. MAXIMUM AC RIPPLE SHOULD NOT EXCEED 30 mV rms, IF MORE THAN 30 mV rms ARE MEASURED, RE-CHECK YOUR WORK. IF THE PROBLEM PERSISTS, CALL THE FACTORY FOR ASSISTANCE.

				THIRD ANGLE PROJECTION			
				DRAWN BY	091894	TITLE AT10.1 (GROUP I) CUSTOMER INSTRUCTIONS: FIELD INSTALL OF BATT ELIM FILT ASSY (A8) - TYPE I	
				APPROVED	SGS	091994	DRAWING No
				UNLESS OTHERWISE NOTED DIMENSIONS ARE IN INCHES. TOLERANCES ARE:		JA0110-00	
REV	ECN No	DATE	APP			SCALE	NTS
1	12292	080995	WAH			PART No	JA0110-00
0	11317	091994	SGS			SHEET	1 OF 1