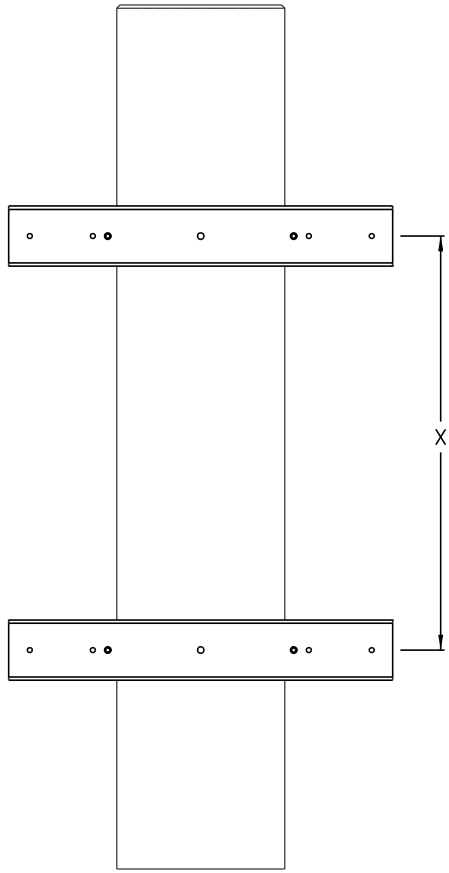
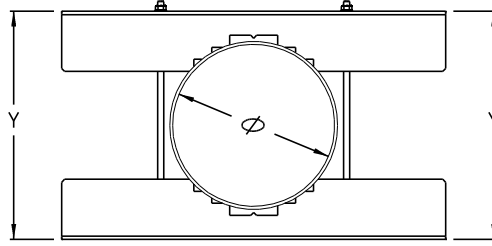


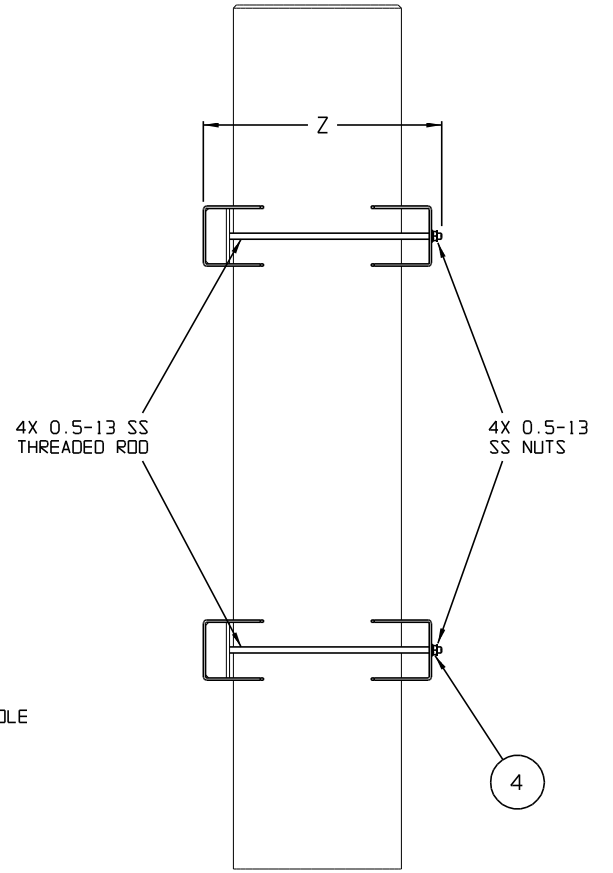
FRONT VIEW



TOP VIEW

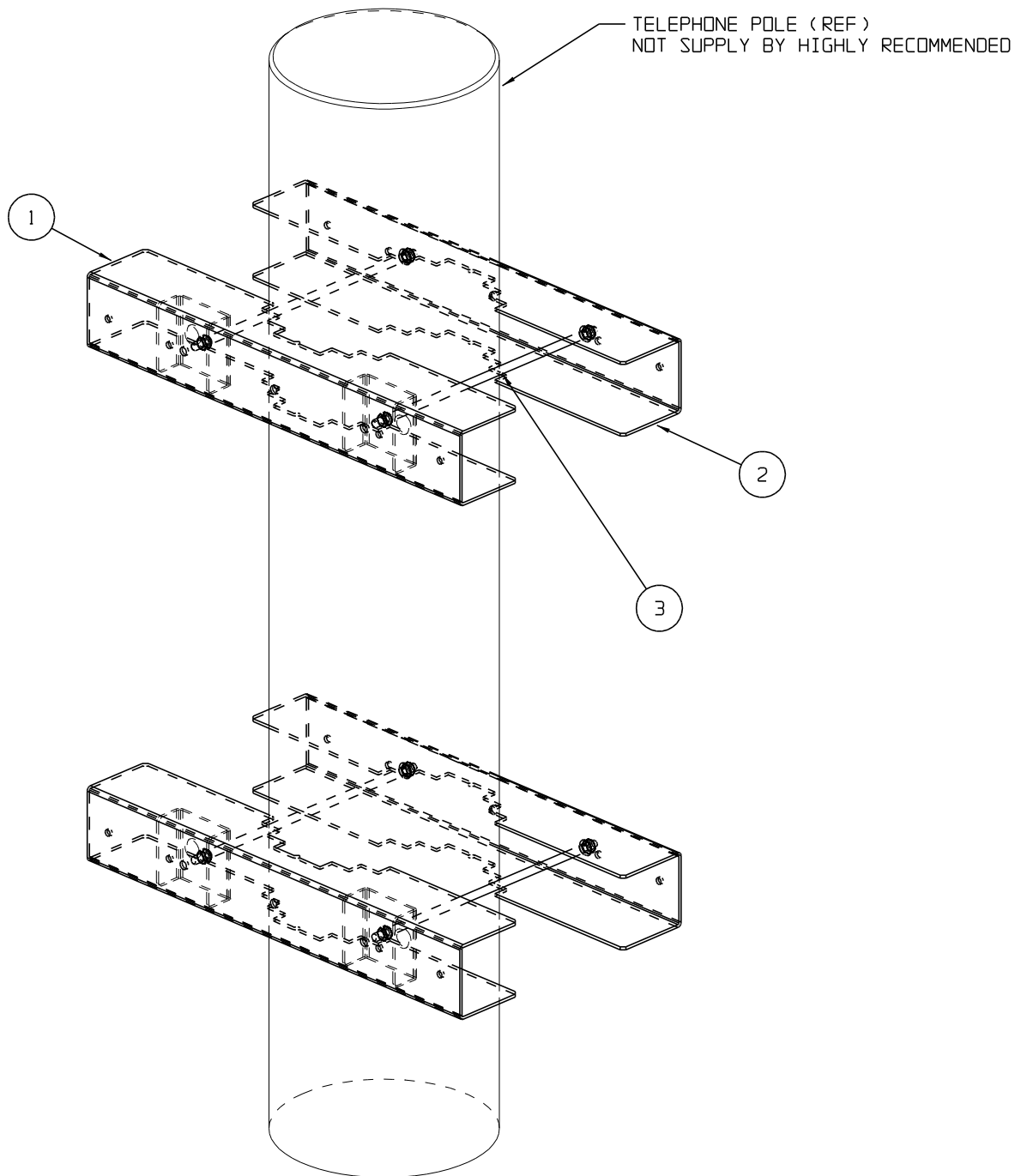


RIGHT VIEW



EXPLANATION OF DIMENSIONS

Ø DIAMETER OF TELEPHONE POLE 10" TO 15"
 Y RELATIVE TO Ø OF POLE, KEEP BRACKET PARALLEL
 Z LENGHT OF THE THREADED ROD, RELATIVE TO Ø OF POLE
 X DISTANCE OF YOUR EQUIPMENT MOUNTING HOLES



			THIRD ANGLE PROJECTION		TITLE FIELD INSTALLATION PROCEDURE AT10.1 G1 POLE-MOUNT ACSY (E10234-00) FOR NEMA-4 ENCL			
			DRAWN BY <i>CA</i> 101807		DRAWING No JA5088-00			
			ELECTRONIC APPROVAL SIGNATURES MAINTAINED BY MFG ECN LOG		REV 0B		B	
0	20870	101807	UNLESS OTHERWISE NOTED DIMENSIONS ARE IN INCHES. TOLERANCES ARE:			SHEET 1 OF 1		
REV	ECN No	DATE			SCALE	NTS	PART No	JA5088-00