

FIELD INSTALLATION OF STYLE-5017 ENCLOSURE RELAY RACK-MOUNTING BRACKETS (EI0193-01/02)

BACKGROUND

AT10.1 battery chargers built in NEMA-1 Style-5017 enclosures can be installed into relay racks which feature standard 19in / 483mm or 23in / 584mm EIA hole spacing.

A separate accessory (**EI0193-01** or **EI0193-02**) is required to rack-mount the Style-5017 enclosure, which is normally a wall-mounted cabinet. Refer to the outline drawings in Appendix C of the AT10.1 Series battery charger *Operating and Service Instructions* for complete Style-5017 enclosure dimensions.

PREPARATION

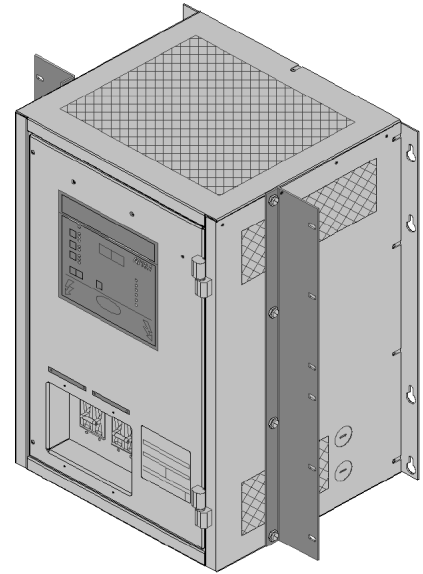
Standard hand tools are required. When rack mounting the AT10.1 Series Style-5017 enclosure, you must consider the following:

1. The rack must be strong enough to properly support the weight of the AT10.1. See the Weight Table located in Section 1.4 of the AT Series battery charger Operating and Service Instructions.
2. Note placement of conduit entrances. Make sure the knockouts on the sides the Style-5017 enclosure are accessible after it rack mounted.
3. The location:
 - should be between 32-122° F / 0-50° C, with relative humidity between 5 and 95% non-condensing
 - must be free of flammable or explosive materials
4. Maintain at least 6in / 152mm of free air on top and bottom for venting.
5. Allow 36in / 914mm front clearance for access to the charger for operation and maintenance.
6. Hardware for mounting the charger to the EIA relay rack is *not supplied* with the kit.

PROCEDURE (19in / 483mm rack-mounting)

The 19in / 483mm relay rack-mounting brackets (**EI0193-01**) for the AT10.1 Style-5017 enclosure are normally supplied from the factory already attached to the charger. If so, you must *first* detach these brackets from the sides of the enclosure by removing the 1/4-20 mounting hardware in eight (8) places, then skip to the next passage. If the brackets are supplied as a separate kit, you must detach the manual pocket from the right-hand side of the AT010.1 by removing the four (4) black screws.

The Style-5017 enclosure *cannot* be front-mounted into the small 19in / 483mm relay rack opening. Using a scissor-lift or similar device, carefully insert the AT10.1 Style-5017 battery charger enclosure (without mounted brackets) through the *rear* opening of the relay rack until the forward edges of the enclosure hinges are approximately 5.75in / 146mm in front of the rails. See the reference dimensions on page 2.



**REFERENCE
IMAGE**

**FIELD INSTALLATION OF STYLE-5017 ENCLOSURE
 RELAY RACK-MOUNTING BRACKETS (EI0193-01/02)**

Locate the eight (8) 5/16in / 7.9mm pre-fab knockouts along both sides of the AT10.1 Style-5017 enclosure. Mount (or re-mount) the supplied brackets to the sides of the enclosure with the rack-mounting flanges facing back. Note the reference image on page 1. Using the supplied 1/4-20 mounting hardware, attach (or re-attach) the brackets to the sides of the Style-5017 enclosure.

Raise or lower the enclosure to its approximate final location. Line up the twelve (12) available 9/32in / 7.1mm slots on the brackets to the threaded mounting holes on the vertical 19in / 483mm relay rack rails. Mount the charger to the rack with *user-supplied* hardware, and tighten securely.

PROCEDURE (23in/584mm rack-mounting)

The 23in / 584mm relay rack-mounting brackets (**EI0193-02**) for the AT10.1 Style-5017 enclosure are normally supplied from the factory already attached to the charger. If so, skip to the next passage. If the brackets are supplied as a separate kit, first detach the manual pocket from the right-hand side of the AT10.1 by removing the four (4) black screws. Locate the eight (8) 5/16in / 7.9mm pre-fab knockouts along both sides of the Style-5017 enclosure. Mount the supplied brackets to the sides of the enclosure with the rack-mounting flanges facing back. Note the reference image on page 1. Using the supplied 1/4-20 mounting hardware, attach the brackets to the sides of the Style-5017 enclosure.

Using a scissor-lift or similar device, carefully insert the AT10.1 Style-5017 battery charger enclosure (with mounted brackets) through the *front* opening of the relay rack until the brackets touch the rails. See the reference dimensions below. Raise or lower the enclosure to its approximate final location. Line up the twelve (12) available 9/32in / 7.1mm slots on the brackets to the threaded mounting holes on the vertical 19in / 483mm relay rack rails. Mount the charger to the rack with *user-supplied* hardware, and tighten securely.

REFERENCE DIMENSIONS

