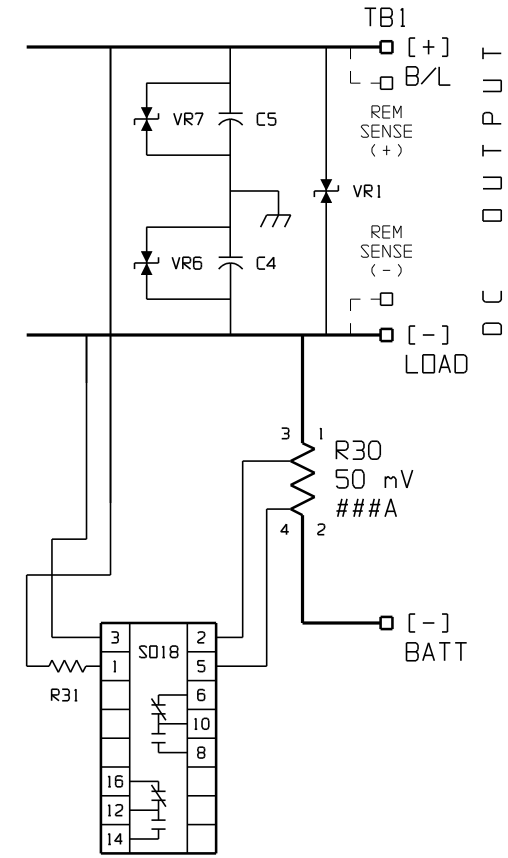


NOTES:

- 1) AT SERIES DC MAINFRAME COMPONENTS (C4/C5/VR6/VR7/TB1) NOT PART OF EJ5136-## OPTION BILL OF MATERIAL, SHOWN FOR REFERENCE PURPOSES ONLY.
- 2) BATTERY DISCHARGE ALARM CONTACTS SHOWN IN NON-ALARM STATE. CONTACT RATING IS 0.5A @ 125VAC/VDC RESISTIVE.
- 3) THE AT SERIES BATTERY DISCHARGE ALARM OPTION IS CONSIDERED "NON-STANDARD". INCLUSION OF THIS OPTION NEGATES THE CSA-NRTL/C LISTING ON CHARGERS IN STYLE-5017, STYLE-5018, AND SYLE-5030 ENCLOSURES.
- 4) THEORY OF OPERATION:

EJ5136-## AT SERIES BATTERY DISCHARGE ALARM

The battery charger is equipped with a battery discharge alarm, which indicates the condition when the battery is no longer receiving adequate charging current from the charger and has become a source of current for the load. Sensing and alarm activation is performed by control circuit board (A18), which monitors the direction of current flow through shunt (R30) connected to the main battery lead. When this current polarity changes from negative to positive, the alarm circuit is activated. The alarm relays are not latched, and no indicator lamp is provided. Resistor (R31) provides ballast for the dc voltage power supply. One (1) form-c alarm contacts are provided at barrier type terminal block (TB9).

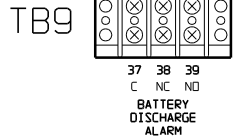
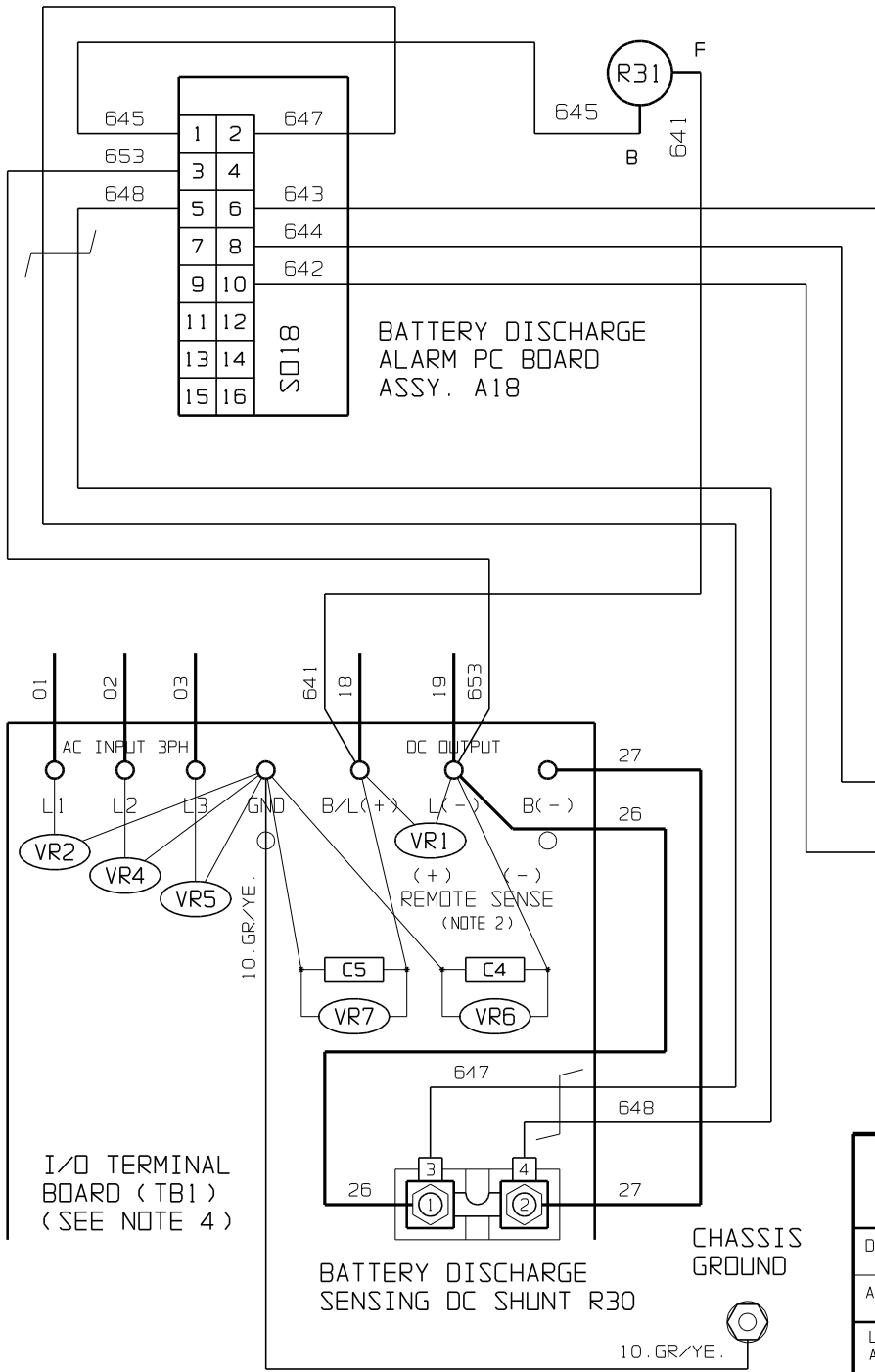


- EJ5136-## OPTION BOM COMPONENTS:
- A18 BATTERY DISCHARGE ALARM PC BOARD
 - R30 BATTERY DISCHARGE SENSING DC SHUNT
 - R31 BATTERY DISCHARGE ALARM CIRCUIT RESISTOR
 - TB9 NON-STANDARD ALARM BARRIER AUX TERMINAL BLOCK

				 THIRD ANGLE PROJECTION		TITLE AT SERIES BATTERY DISCHARGE ALARM OPTION: SCHEMATIC AND USER OPERATION NOTE			
				DRAWN BY MCR APPROVED N/A	110509 N/A	DRAWING No EJ5136-XX		REV B	A
B	N/A	110509	N/A	UNLESS OTHERWISE NOTED DIMENSIONS ARE IN INCHES. TOLERANCES ARE:		SCALE NTS		PART No EJ5136-##	SHEET 1 OF 3
REV	ECN No	DATE	APP						

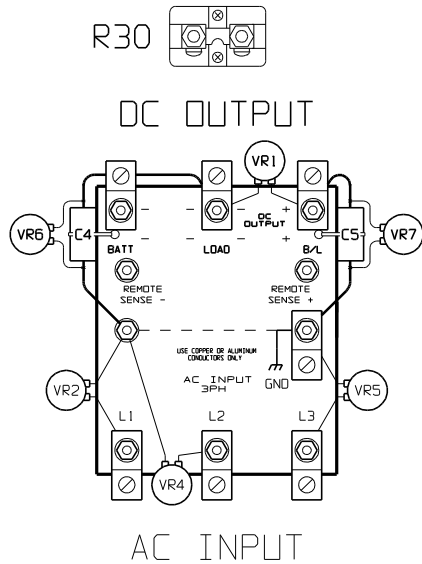
NOTES:

- 1) CHARGER COMPONENTS ARE CONNECTED WITH FLAME-RETARDANT SWITCHBOARD INSULATION SYSTEM (SIS) TYPE WIRING, IDENTIFIED ON EACH END WITH NUMBER-CODED MARKERS. GROUND WIRE #10 IS GREEN WITH YELLOW STRIPE.
- 2) TB9 REMOTE ALARM TERMINAL BLOCK, BARRIER TYPE, 6-32 BINDER HEAD SCREW TERMINALS, WILL ACCEPT LUGS FOR #16-14 AWG WIRE.
- 3) THE AT SERIES BATTERY DISCHARGE ALARM OPTION IS CONSIDERED "NON-STANDARD". INCLUSION OF THIS OPTION NEGATES THE CSA-NRTL/C LISTING ON CHARGERS IN STYLE-5017, STYLE-5018 & STYLE-5030 ENCLOSURES.
- 4) AT30 STYLE-5030 I/O PANEL (TB1) ARRANGEMENT SHOWN FOR REFERENCE PURPOSES. EJ5136-## OPTIONS MAY BE INSTALLED INTO AT10.1 OR AT30 STYLE-5017, -5018, -5030, -163, OR -198 ENCLOSURES. WIRE TO TB1 DC OUTPUT TERMINALS (B/L+, L- & B-) ACCORDINGLY. SEE SHEET 3 OF 3 FOR ENCLOSURE-SPECIFIC I/O PANEL MODIFICATION DRAWINGS.
- 5) THIS OPTION MAY BE FEATURED IN UNITS ALONG WITH OTHER "NON-STANDARD" AT SERIES ALARM OPTIONS. USE "BEST JUDGMENT" WHEN COMPONENT MOUNTING CONFLICTS OR SPACING ISSUES OCCUR. SEE SHEET 3 OF 3 FOR ENCLOSURE-SPECIFIC I/O PANEL MODIFICATION DRAWINGS, BATTERY DISCHARGE CURRENT SENSING DC SHUNT (R30) MOUNTING, AND ENCLOSURE-SPECIFIC COMPONENT MOUNTING INSTRUCTIONS. SEE ENGINEERING DEPARTMENT WITH ANY FURTHER QUESTIONS.

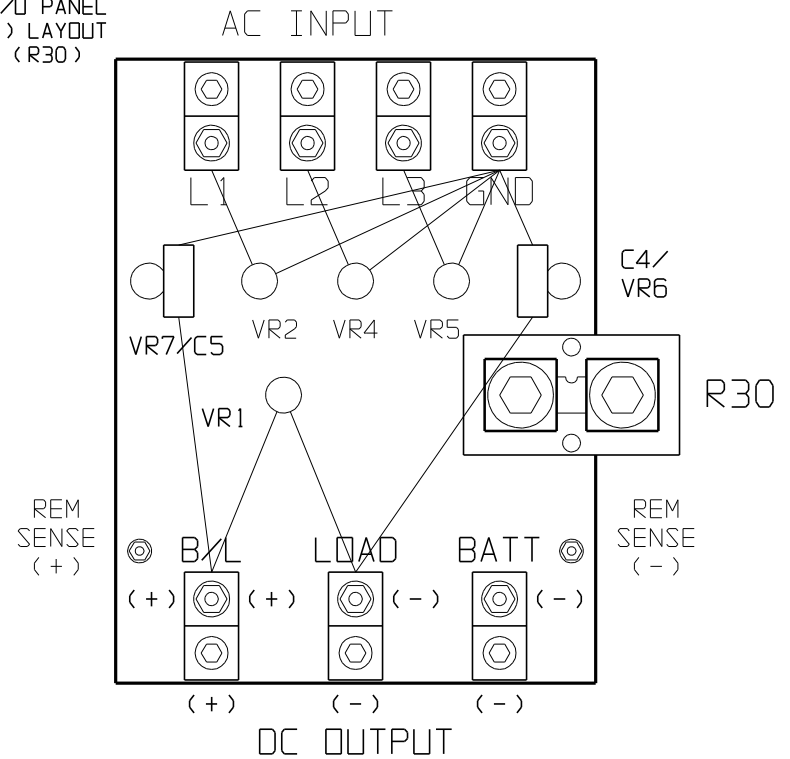


THIRD ANGLE PROJECTION		TITLE AT SERIES END OF DISCHARGE ALARM OPTION: CONNECTION DIAGRAM & MECH ASSY NOTES		
DRAWN BY MCR APPROVED N/A	110509 N/A	DRAWING No EJ5136-XX	REV B	A
UNLESS OTHERWISE NOTED DIMENSIONS ARE IN INCHES. TOLERANCES ARE:	SCALE NTS	PART No EJ5136-##	SHEET 2 OF 3	

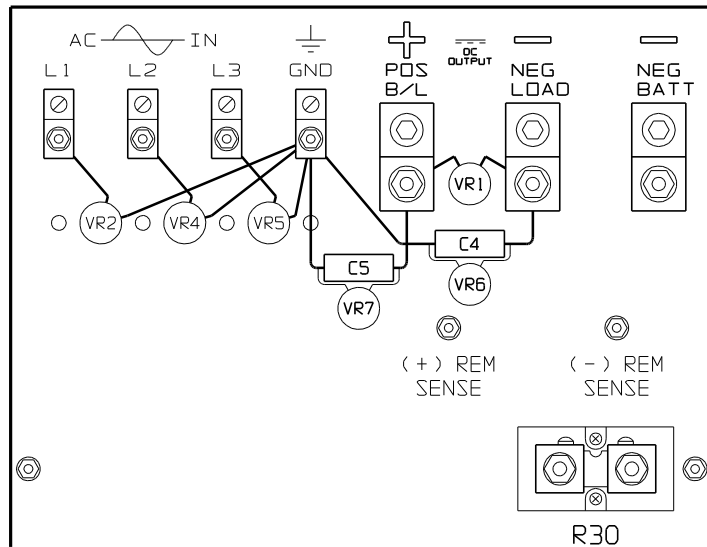
STYLE-5018 I/O PANEL (FB5008-SP) LAYOUT WITH SHUNT (R30) REFERENCE



STYLE-163 I/O PANEL (FB5009-SP) LAYOUT WITH SHUNT (R30) REFERENCE



AC INPUT DC OUTPUT



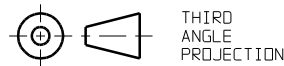
STYLE-503 I/O PANEL (FB5012-SP) LAYOUT WITH SHUNT (R30) REFERENCE

NOTES:

- 1) MODIFY DC OUTPUT TERMINALS OF STANDARD I/O PANEL PER ENCLOSURE-SPECIFIC DRAWINGS SHOWN.
- 2) MOUNT BATTERY DISCHARGE SENSING DC SHUNT (R30) AS CLOSE AS POSSIBLE TO TB1(L-/B-) DC OUTPUT TERMINALS ON I/O PANEL AS SHOWN.
- 3) USE RCO053-## MARKING STRIP AND LABEL T89 REMOTE ALARM CONTACTS "37,38,39" BACK-TO-FRONT OR LEFT-TO-RIGHT AS REQUIRED BY ENCLOSURE.

NOTES:

- 3) ENCLOSURE-SPECIFIC COMPONENT MOUNTING INSTRUCTIONS:
 - A) STYLE-5017/5018: MOUNT A18 & R31 TO GALVANIZED BACK PANEL NEAR FLOOR, AND MOUNT T89 (37,38,39 B-TO-F) TO FLOOR
 - B) STYLE-5030: MOUNT FB5016-0# PHENOLIC PANEL TO UPPER-RIGHT VERTICAL POSTS, AND MOUNT A18, R31 & T89 (37,38,39 L-TO-R) TO FB5016-0# PHENOLIC
 - C) STYLE-163/198: LOCATE AREA IN UPPER-RIGHT CORNER OF REAR MAIN PHENOLIC MOUNTING PANEL, AND MOUNT A18, R31 & T89 (37,38,39 L-TO-R) TO PHENOLIC



DRAWN BY MCR 110509

APPROVED N/A N/A

UNLESS OTHERWISE NOTED DIMENSIONS ARE IN INCHES. TOLERANCES ARE:

TITLE AT SERIES BATTERY DISCHARGE ALARM OPTION: MECHANICAL ASSEMBLY INSTRUCTIONS

DRAWING No EJ5136-XX REV B A

SCALE NTS PART No EJ5136-## SHEET 3 OF 3