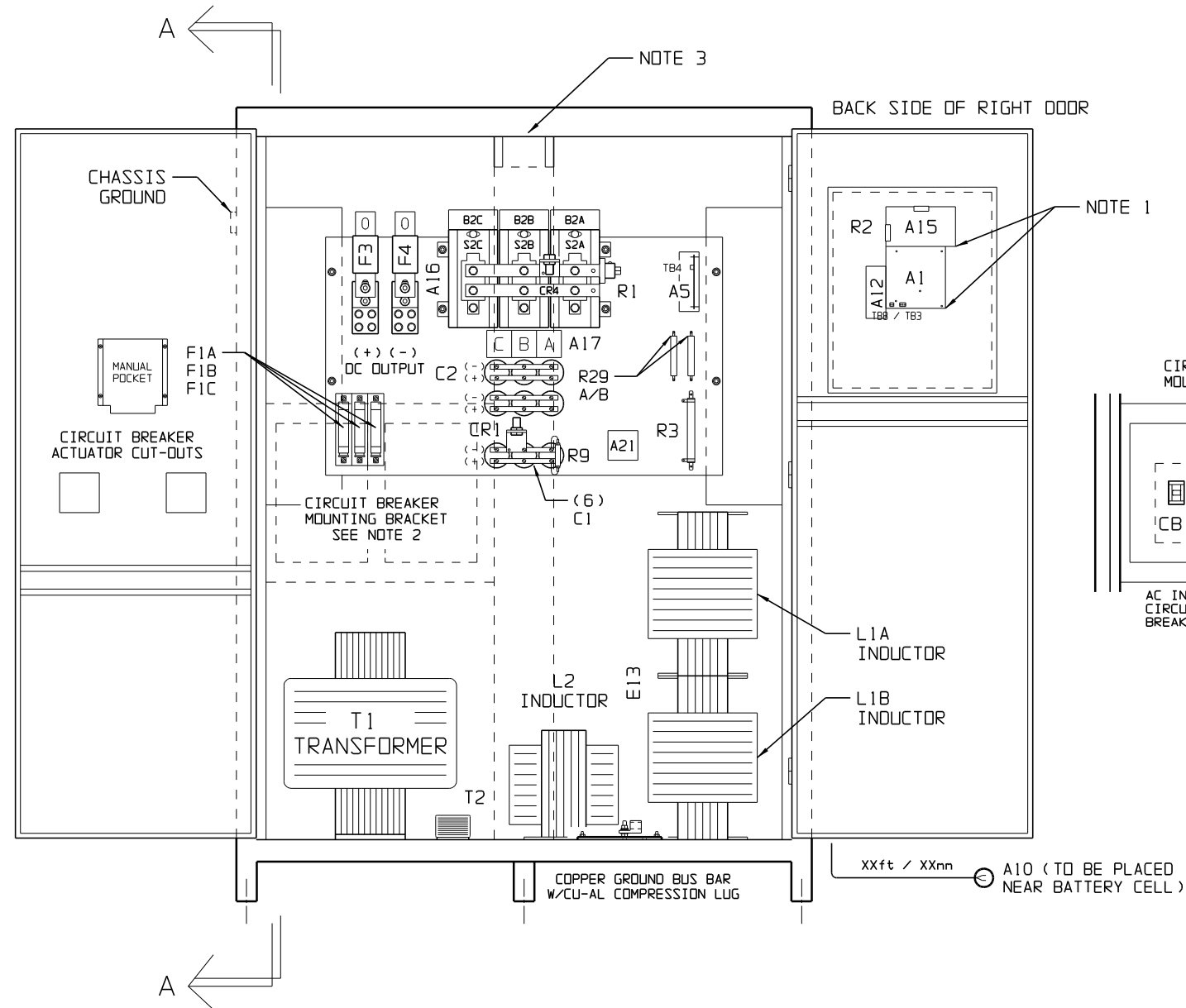
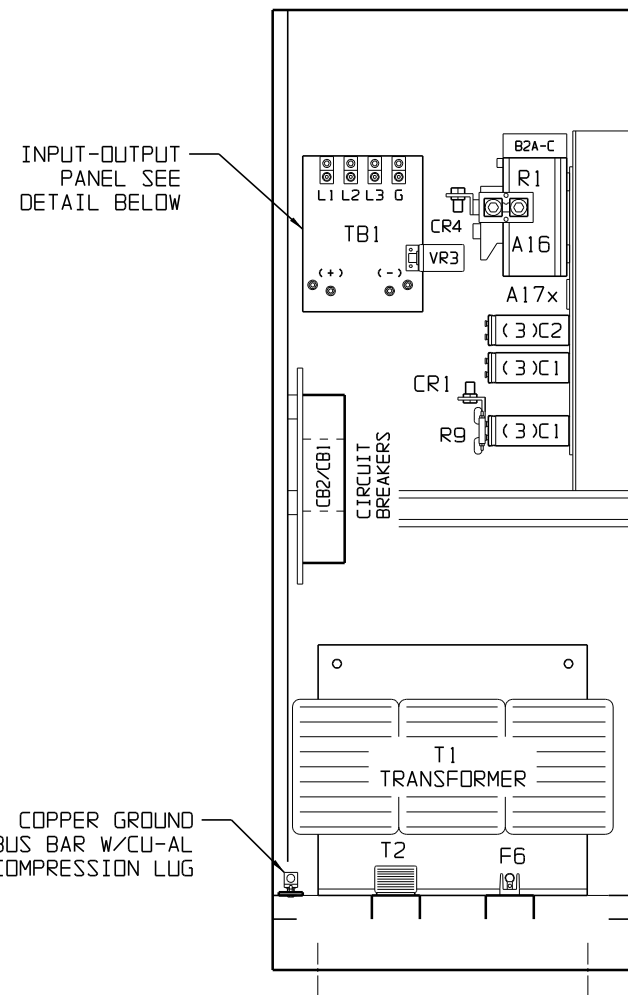
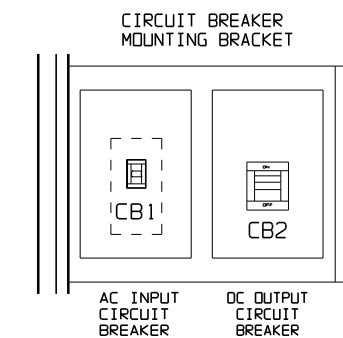


SECTION A-A

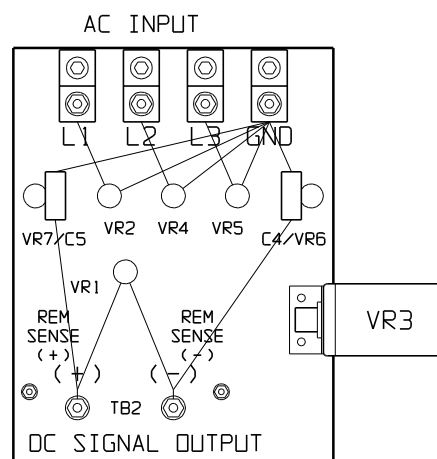


SYM	STANDARD COMPONENT DESCRIPTION
A1	MAIN CONTROL PC BOARD
A15	THREE PHASE GATE DRIVE PC BOARD
A16	3PH SCR MODULE ASSY (1x6 Q1-Q6)
A17x	SCR SNUBBER PC BOARD - QTY. (3)
B2	SCR MODULE (A16) COOLING FAN
C4	EMI OUTPUT FILTER CAP (NEG-GND)
C5	EMI OUTPUT FILTER CAP (POS-GND)
CB1	AC INPUT CIRCUIT BREAKER
CB2	DC OUTPUT CIRCUIT BREAKER
CR4	FREE-WHEELING DIODE
L1x	MAIN INDUCTOR
R1	MAIN DC SHUNT
R2	CURRENT RATING RESISTOR
R3	EXT BALLAST RESISTOR
R28x	THERMOSTAT (S2x) SENSE RESISTOR
S2x	SCR MODULE (A16) THERMOSTAT
T1	POWER ISOLATION TRANSFORMER
TB1	I/O TERMINAL BOARD
TB3	SUMMARY ALARM CONTACTS
TB8	OPT. TEMPCO PROBE TERM BLOCK
VR1	OUTPUT SURGE SUPPRESSOR (+TO-)
VR2	INPUT SURGE SUPPRESSOR (LINE 1)
VR4	INPUT SURGE SUPPRESSOR (LINE 2)
VR5	INPUT SURGE SUPPRESSOR (LINE 3)
VR6	OUTPUT SURGE SUPPRESSOR (-)
VR7	OUTPUT SURGE SUPPRESSOR (+)

SYM	OPTIONAL COMPONENT DESCRIPTION
A5	AUXILIARY ALARM RELAY PC BOARD
A10	EXTERNAL TEMPCO PROBE
A12	COMMUNICATIONS MODULE PC BOARD
A21	PHASE COMP PC BRD (EJ5197-00)
C1	DC OUTPUT FILTER CAPACITOR
C2	BATTERY ELIMINATOR FILTER CAP
CR1	POLARITY DIODE
E13	INDUCTOR INTER-CONNECT POINT
F1x	AC INPUT FUSES (L1/L2/L3)
F3	DC OUTPUT FUSE (+ LEG)
F4	DC OUTPUT FUSE (- LEG)
F6	AUX XFMR (T2) 1A IN-LINE FUSE
L2	FILTER INDUCTOR
R9	FILTER CAP (C1) BLEED RESISTOR
R29	COMM MOD (A12) BALLAST RESISTOR
T2	AUXILIARY STEP-DOWN TRANSFORMER
TB4	AUX ALARM PCB TERMINAL BLOCK
VR3	AC INPUT LIGHTNING ARRESTOR



I/O TERMINAL BOARD (TB1) DETAIL



NOTES:

- 1) FOR DETAIL VIEWS OF ALL PC BOARDS (A1, A5, A15, A17, etc.) SEE DRAWING JE5091-39.
- 2) CIRCUIT BREAKER(S) MOUNTED ON SIDE BRACKET, NOT FULLY SHOWN FOR CLARITY.
- 3) CENTER DIVIDER NOT SHOWN FOR CLARITY OF INTERNAL VIEW.

I/O TERMINAL	DESCRIPTION - TYPE	CONNECTION
TB1(+/-)	POS/NEG OUTPUT TERMINALS - CU-ALUMINUM COMPRESSION LUG	(2) 350-600 MCM
REM SENSE (+/-)	POS/NEG REMOTE SENSE TERMINALS - 1/4-20 ZPS STUDS	1/4in RING LUG
(2) TB1-GND	GROUND TERMINAL - CU-ALUMINUM COMPRESSION LUG	#6 AWG-350 MCM
TB1-L1/L2/L3	AC INPUT TERMINALS - CU-ALUMINUM COMPRESSION LUG	#6 AWG-350 MCM
TB3	SUMMARY ALARM TERMINAL BLOCK - SOLDERLESS COMPRESSION	#22-14 AWG
TB4	AUXILIARY ALARM RELAY PC BOARD (A5) TERMINAL BLOCK	#22-14 AWG
TB8	TEMPCO PROBE (A10) INTERCONNECTION TERMINAL BLOCK	#22-14 AWG

		THIRD ANGLE PROJECTION		<b>HINDLEPOWER</b>		1075 Saint John Street Easton, PA 18042-6661 PH 610-330-9000 FAX 610-330-8510 www.hindlepowerinc.com	
DRAWN BY MCR		102908		TITLE AT30 SERIES BATTERY CHARGER (OPTIONAL) INTERNAL COMPONENT LAYOUT: STYLE-198			
ELECTRONIC APPROVAL SIGNATURES MAINTAINED BY MFG ECN LOG		UNLESS OTHERWISE NOTED DIMENSIONS ARE IN INCHES. TOLERANCES ARE:		DRAWING No JE5099-99		REV 0 <b>B</b>	
0	20437	102908		SCALE NTS	PART No JE5099-99	SHEET 1 OF 1	