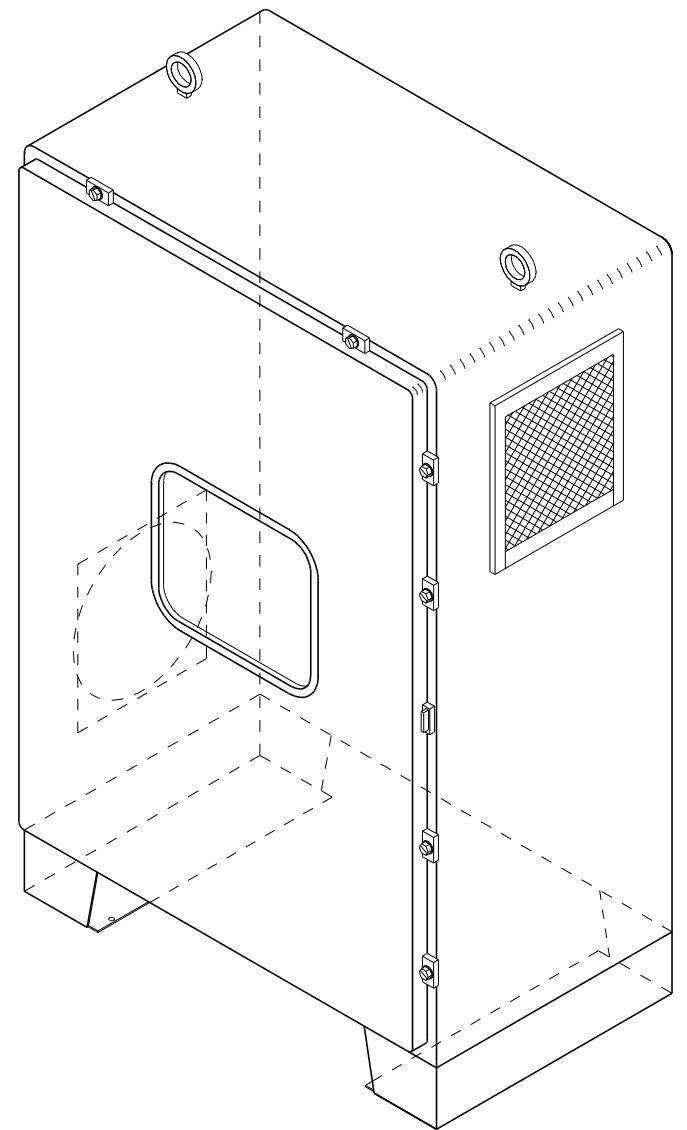
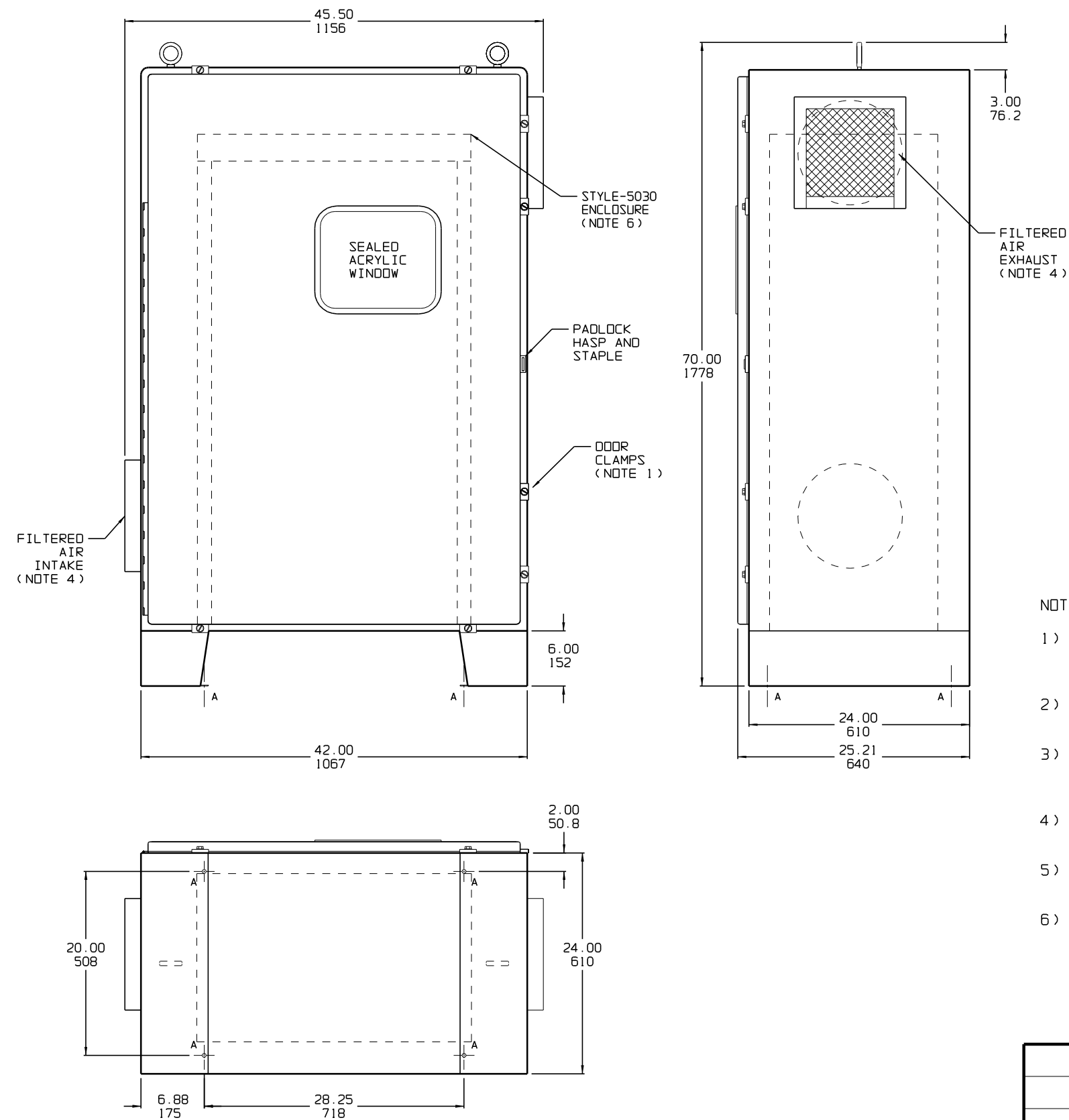


| HOLE | DIA. | QTY. | APPLICATION |
|------|----------------|------|----------------|
| A | 0.438 11.11 | 4 | FLOOR MOUNTING |

NEMA-4/12/13 ENCLOSURES FEATURE NO PRE-FABRICATION PROVISIONS FOR CONDUIT ENTRANCE. CABINET SHOULD BE FIELD-MODIFIED BY INSTALLER AS NEEDED FOR I/O.



NOTES:

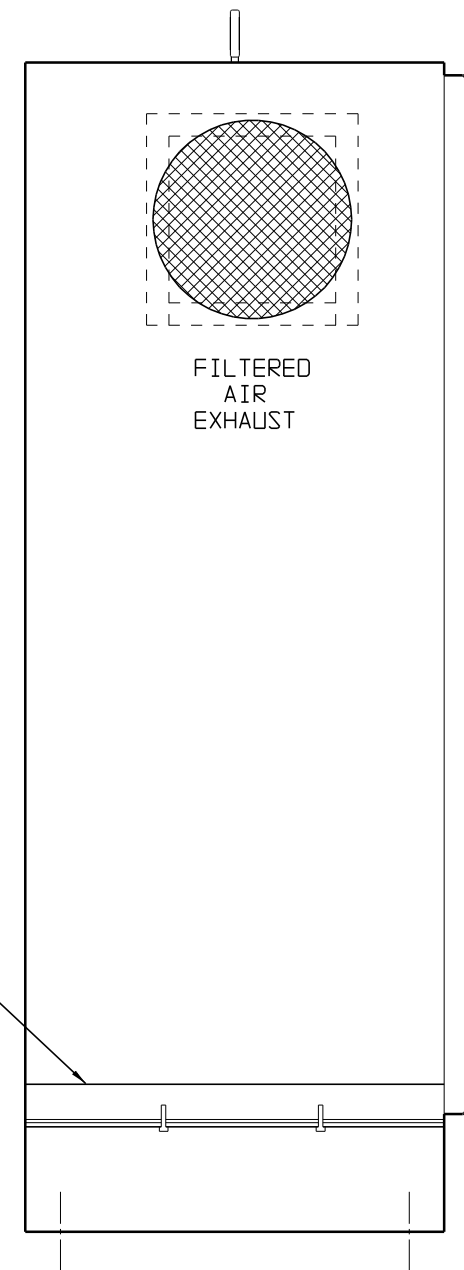
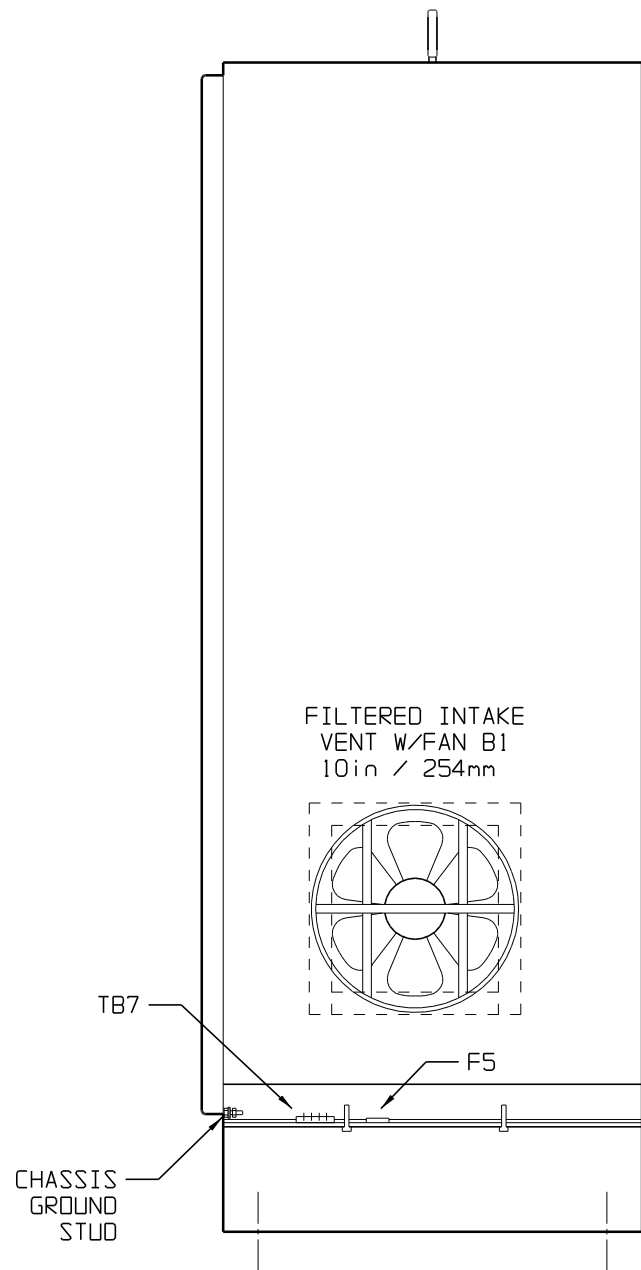
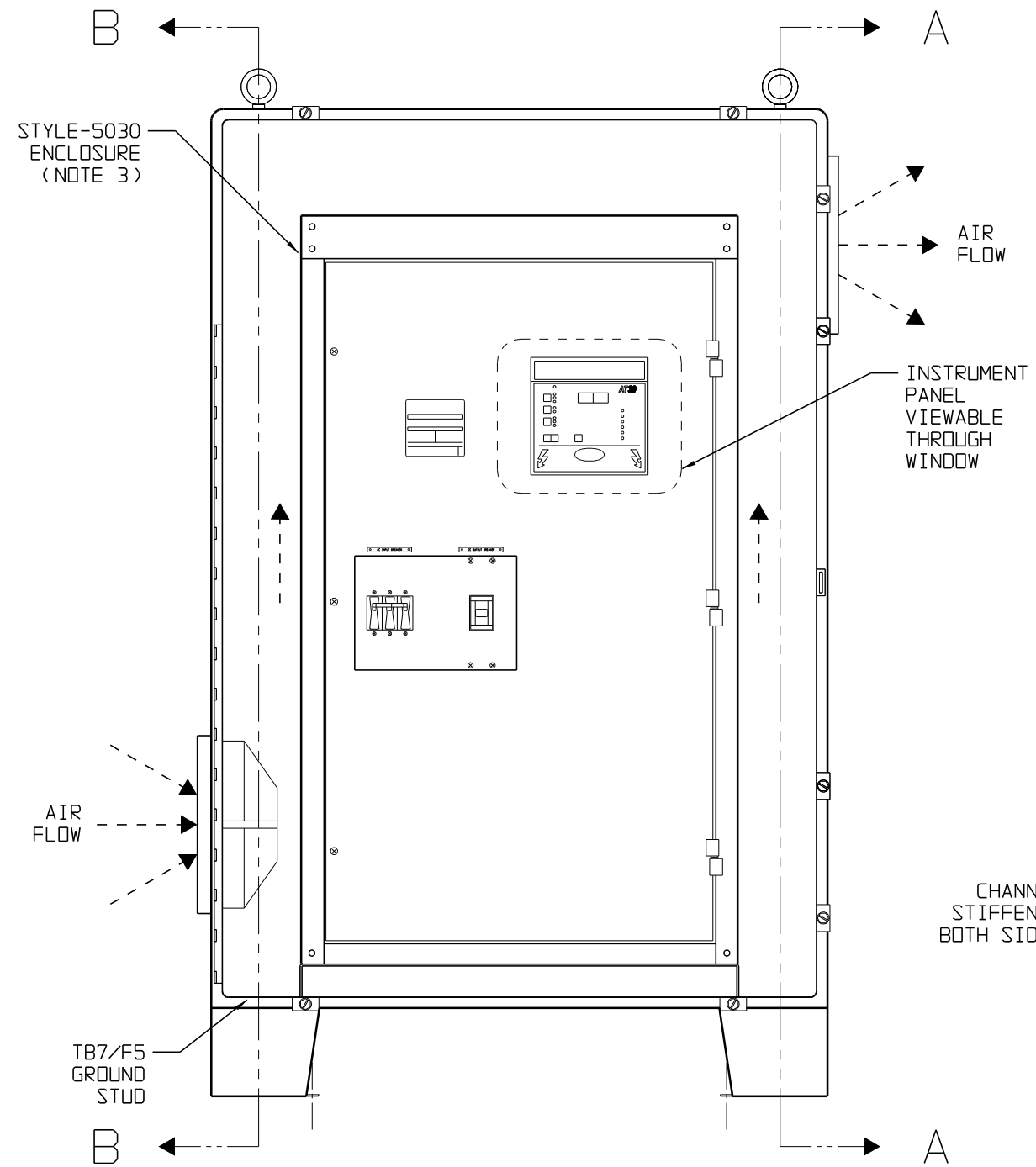
- 1) DOOR CLAMPS AND GASKETS SUPPLIED TO MEET NEMA-4/12/13 ENCLOSURE STANDARDS.
- 2) ENCLOSURE FINISH IS ANSI-61 GRAY EPOXY POWDERCOAT.
- 3) ENCLOSURE (NOT INCLUDING INTERNAL CHARGER) APPROXIMATE SHIPPING WEIGHT: 360 lbs / 16 kg
- 4) ALLOW 12in / 305mm OF FREE AIR ON SIDES OF CABINET FOR VENTILATION.
- 5) UNIT IS FLOOR MOUNTED AND WIRED PER TABLE ABOVE.
- 6) SHEE SHEET 2 OF 2 FOR INTERNAL CONFIGURATION.

DUAL DIMENSIONS in mm

| | | | | | | |
|-----|--------|--------|--|-------------------|---|----------|
| | | | THIRD ANGLE PROJECTION | | | |
| | | | DRAWN BY MCR 120208 | | TITLE AT30 SERIES BATTERY CHARGER OUTLINE: NEMA-4/12/13 ENCLOSURE - STYLE-5057 CABINET | |
| | | | ELECTRONIC APPROVAL SIGNATURES MAINTAINED BY MFG ECN LOG | | DRAWING No JE5108-00 | |
| 0 | 21438 | 120208 | UNLESS OTHERWISE NOTED DIMENSIONS ARE IN INCHES. TOLERANCES ARE: | | REV 0 | B |
| REV | ECN No | DATE | SCALE NTS | PART No JE5108-00 | SHEET 1 OF 2 | |

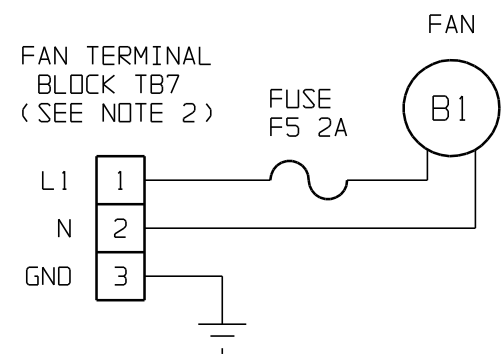
SECTION B-B

SECTION A-A



WIRING:

| No. | FROM | TO | GA | COLOR |
|-----|---------|----------------|----|--------------|
| 211 | TB7-L1 | F5-1 | 14 | BLACK |
| 212 | F5-2 | B1-1 | 14 | BLACK |
| 213 | TB7-N | B1-2 | 14 | BLACK |
| 214 | TB7-GND | CHASSIS GROUND | 12 | GREEN/YELLOW |



USER-SUPPLIED FAN POWER INPUT 120VAC-1PH-60Hz

- NOTES:
- ENCLOSURE INTERNAL FINISH IS SEMI-GLOSS WHITE.
 - TB7 3-POS FAN EXTERNAL POWER TERMINAL BLOCK BARRIER TYPE, 6-32 BINDER HEAD SCREW TERMINAL, WILL ACCOMMODATE LUGS FOR #16-14 AWG WIRE.
 - THIS DRAWING DEPICTS A NEMA-4/12/13 TYPE ENCLOSURE, HOUSING A STANDARD NEMA-1 AT30 SERIES BATTERY CHARGER. SEE JE5086-00 FOR STYLE-5030 ENCLOSURE DIMENSIONS.

| | | | |
|--|-----------|---|-------------------|
| THIRD ANGLE PROJECTION | | TITLE AT SERIES BATTERY CHARGER OUTLINE: NEMA-4/12/13 ENCLOSURE - STYLE-5057 CABINET | |
| DRAWN BY MCR ELECTRONIC APPROVAL SIGNATURES MAINTAINED BY MFG ECN LOG | 120208 | DRAWING No JE5108-00 | REV 0 B |
| UNLESS OTHERWISE NOTED DIMENSIONS ARE IN INCHES. TOLERANCES ARE: | SCALE NTS | PART No JE5108-00 | SHEET 2 OF 2 |