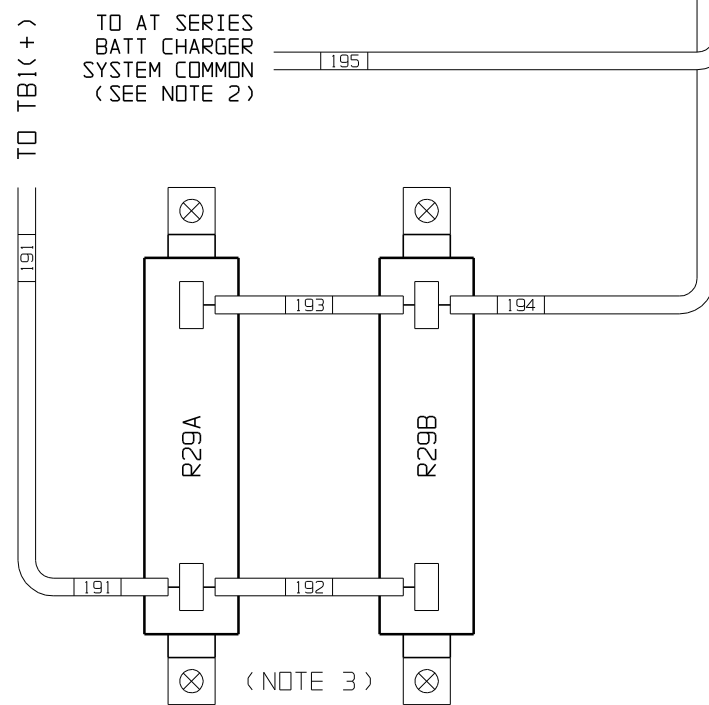
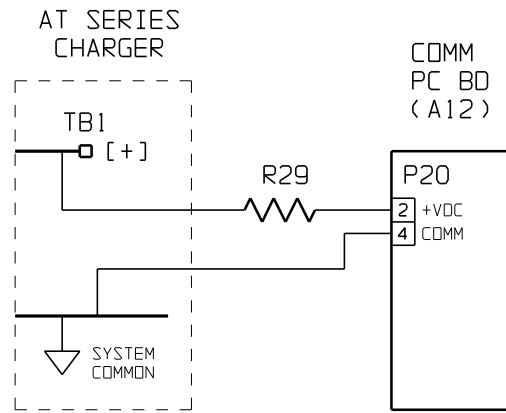
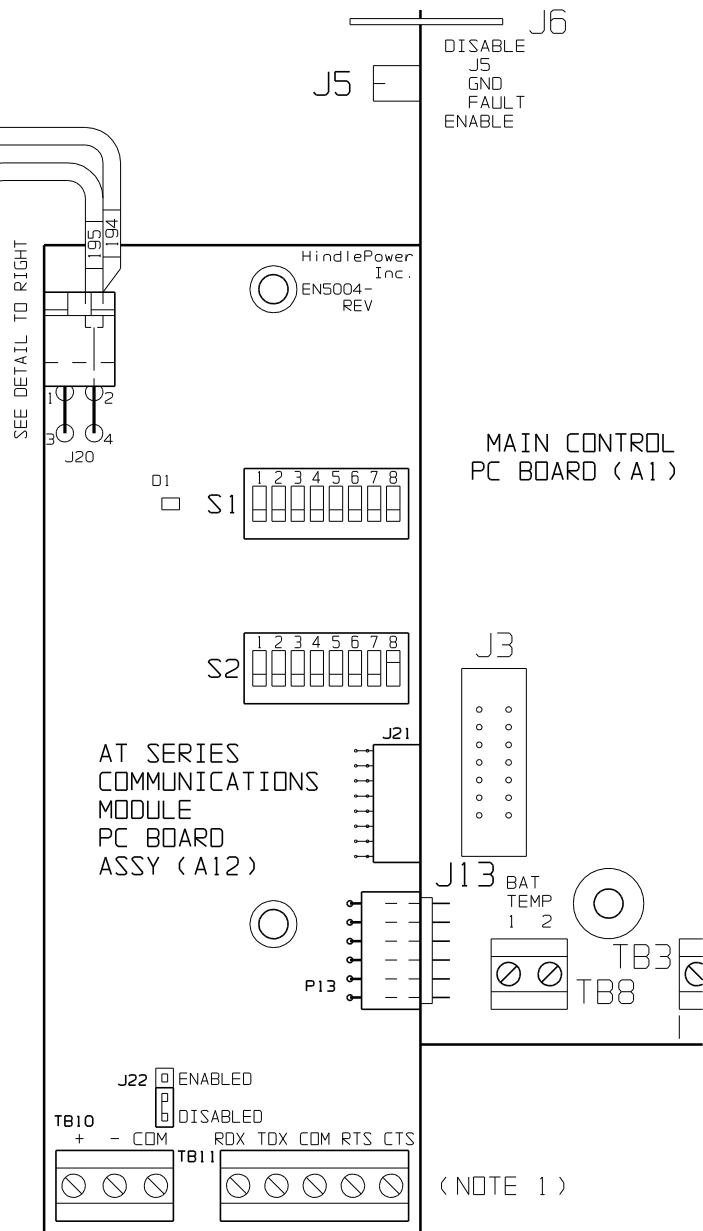


SYSTEM SCHEMATIC



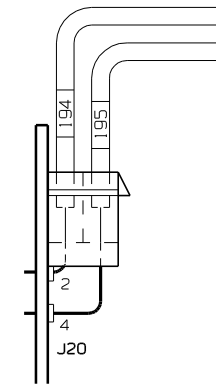
WIRING DIAGRAM

- NOTES:
- UNLESS OTHERWISE SPECIFIED, ALL USER TERMINAL BLOCKS (TB10/TB11) ARE SOLDERLESS COMPRESSION TERMINALS. CONTACT RATING IS 0.5A @ 125VAC/DC, ACCEPTING #22-14 AWG. WIRE.
  - WIRE #195 RUNS FROM A12-J20-4 TO AT SERIES CHARGER SYSTEM COMMON:  
 AT10.1 G1: A3-E10  
 AT10.1 G2: W2(-)  
 AT30: R1-1(-)
  - BALLAST RESISTOR R29 CONSISTS OF TWO (2) RESISTORS CONNECTED IN PARALLEL FOR 130VDC UNITS. IN 48, 24 AND 12VDC UNITS, R29 CONSISTS OF ONE (1) RESISTOR AND WIRES #192 AND #193 ARE NOT USED.



BACK VIEW  
FACING CHARGER COMPONENTS  
WHEN INSTALLED

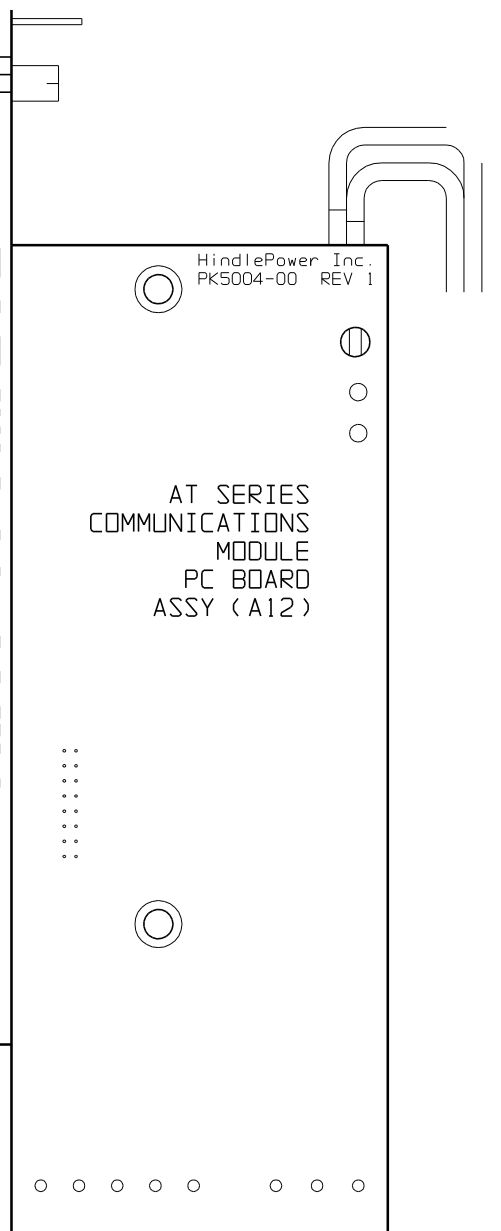
SIDE VIEW  
OF PC BOARD



MAIN CONTROL  
PC BOARD (A1)

- DS13 ⊗
- DS14 ⊗
- DS15 ⊗
- DS16 ⊗
- DS17 ⊗
- DS18 ⊗

HINDLEPOWER INC EN5002-0REV0



FRONT VIEW  
FACING CHARGER DOOR  
WHEN INSTALLED

- INDICATOR LIGHTS:  
 D1 - STATUS LED
- JUMPERS:  
 J20 - POWER SUPPLY CONNECTION  
 J21 - FACTORY CONNECTION  
 J22 - RS-485 TERMINATING RESISTOR (ENABLE/DISABLE)
- CONNECTORS:  
 P13 - PLUG FOR MAIN CONTROL PCB (A1)  
 J13 CONNECTION
- SWITCHES:  
 S1 - CONFIGURATION SWITCHES  
 S2 - MODBUS ADDRESS
- TERMINAL BLOCKS:  
 TB10 - RS-485 USER CONNECTION  
 TB11 - RS-232 USER CONNECTION

(NOTE 1)

				THIRD ANGLE PROJECTION		1075 Saint John Street Easton, PA 18042-6661 PH 610-330-9000 FAX 610-330-8510 www.hindlepowerinc.com	
				DRAWN BY MCR 051705 APPROVED TWH 060805	TITLE AT SERIES BATT CHGR COMMUNICATIONS MODULE PC BOARD ASSEMBLY DETAIL		
				DRAWING No JE5107-00 SCALE NTS	PART No JE5107-00 SHEET 1 OF 1		REV 1 <b>B</b>
REV	ECN No	DATE	APP	UNLESS OTHERWISE NOTED DIMENSIONS ARE IN INCHES. TOLERANCES ARE:			