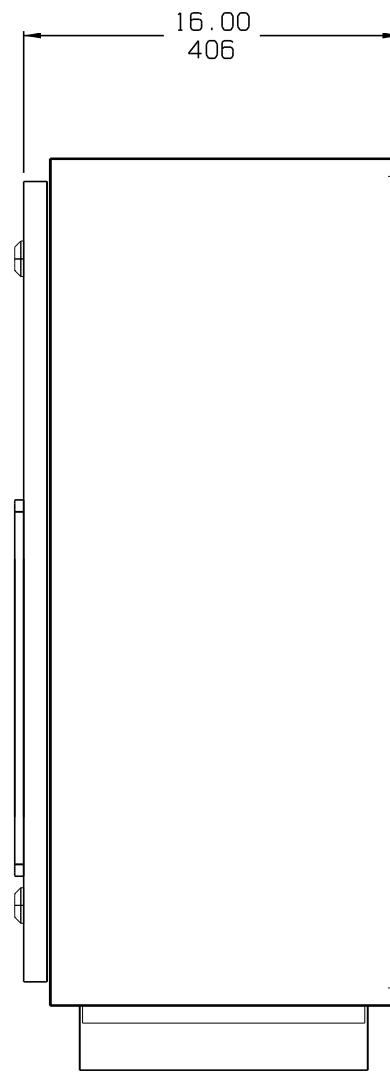


HINGE SIDE  
THREE (3)  
INTERNAL  
HINGES

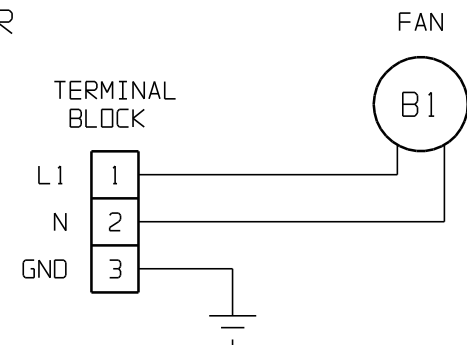
PLEXIGLAS WINDOW  
17in x 11in  
432mm x 279mm  
( W x H )  
VIEWING AREA



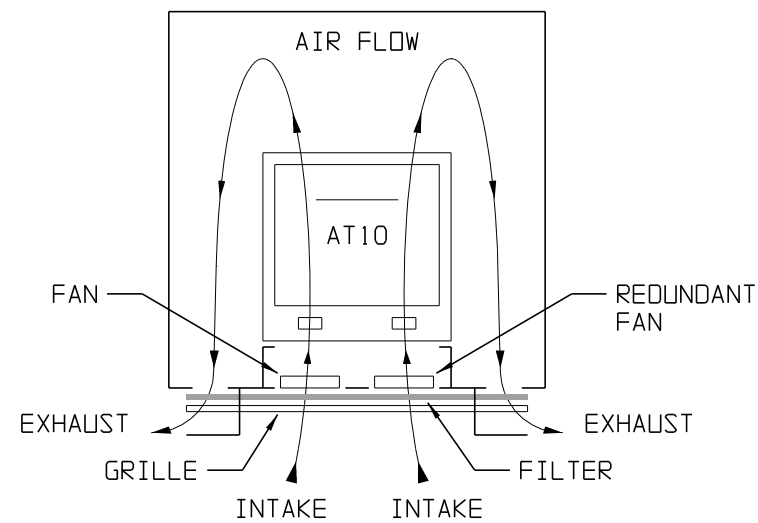
TWO (2)  
DOOR  
LATCHES

FOUR (4) .50in  
12.7mm DIA.  
WALL-MTG. HOLES

OPTIONAL FAN  
INPUT POWER  
SCHEMATIC



OPERATION



NOTES:

- 1) THIS DRAWING DEPICTS A NEMA-4/12/13 TYPE ENCLOSURE, HOUSING A STANDARD NEMA-1 AT10.1 BATTERY CHARGER. SEE JE5023/5024-XX FOR STANDARD CHARGER DIMENSIONS.
- 2) THIS CABINET IS NOT DESIGNED FOR FLOOR MOUNTING.

DUAL DIMENSIONS in mm

				 THIRD ANGLE PROJECTION	 1075 Saint John Street Easton, PA 18042-6661 PH 610-330-9000 FAX 610-330-8510 www.hindlepowerinc.com
				DRAWN BY MCR 041503	TITLE AT10.1 SERIES BATTERY CHARGER OUTLINE: NEMA-4/12/13 STYLE-214 ENCLOSURE
				APPROVED	DRAWING No JE5068-00 REV 0 B
0	E1208	041503		UNLESS OTHERWISE NOTED DIMENSIONS ARE IN INCHES. TOLERANCES ARE:	SCALE NTS PART No JE5068-00 SHEET 1 OF 1
REV	ECN No	DATE	APP		