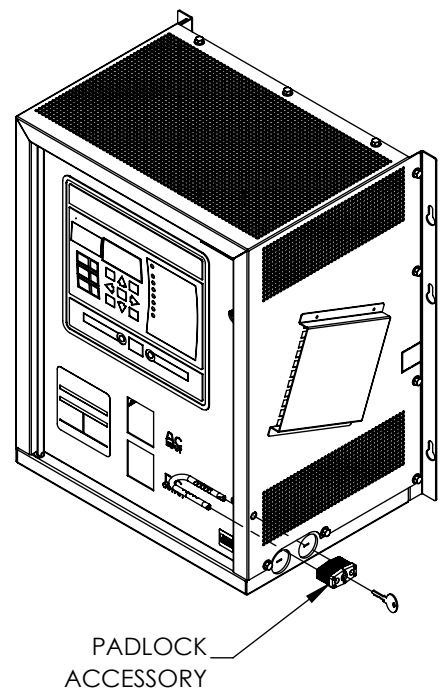


PROCEDURE FOR 5054 ENCLOSURE (EI0215-04):

1. DEENERGIZE AND LOCK OUT ALL AC AND DC VOLTAGE SOURCES TO THE ATevo. CHECK WITH A VOLTMETER BEFORE PROCEEDING.
2. PUNCH PRE-FAB KNOCK-OUT IN LOWER RIGHT OF OF ENCLOSURE SHEET METAL.
3. INSERT PADLOCK SHACKLE THOUGH HOLES.
4. LOCK AND STORE KEY.

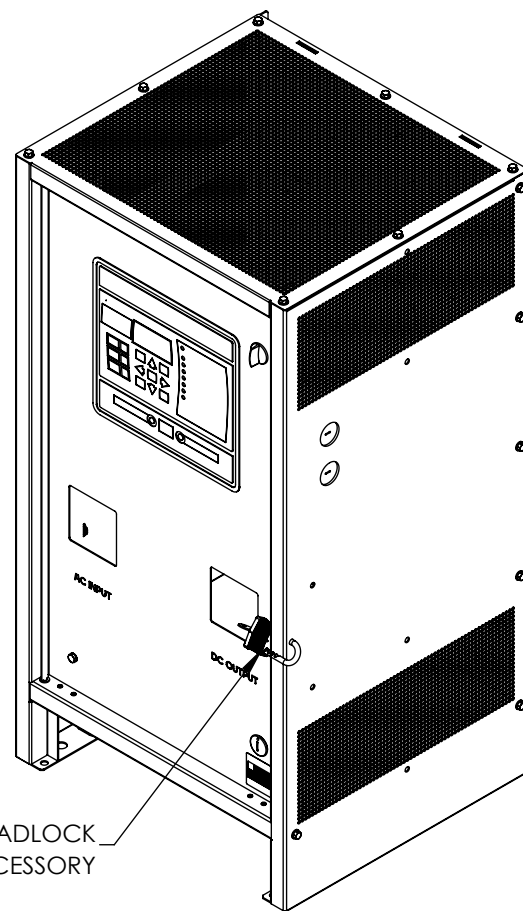
PROCEDURE FOR 5070 ENCLOSURE (EI0215-05):

1. DEENERGIZE AND LOCK OUT ALL AC AND DC VOLTAGE SOURCES TO THE ATevo. CHECK WITH A VOLTMETER BEFORE PROCEEDING.
2. PUNCH PRE-FAB KNOCK-OUT IN LOWER RIGHT OF OF ENCLOSURE SHEET METAL.
3. INSERT PADLOCK SHACKLE THOUGH HOLES.
4. LOCK AND STORE KEY.



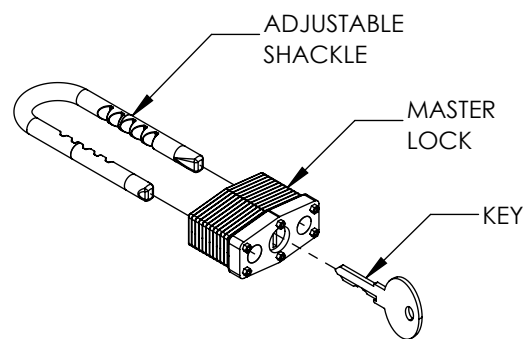
PADLOCK ACCESSORY

ISO VIEW
5054 ENCLOSURE



PADLOCK ACCESSORY

ISO VIEW
5070 ENCLOSURE



PADLOCK DETAIL

REV. 1	DRN BY KJB	CHK BY MS	APP BY MCR	DATE 12/1/2022	DRN BY KJB	DATE: 12/7/2021	TITLE USER INSTALLATION INSTRUCTIONS ATEvo SERIES BATTERY CHARGER PADLOCK ACCESSORY (p/n EI0215-##)	
DESCRIPTION MODIFIED 5070 DETAILS				CHK BY MCR	DATE: 12/7/2021			
				APP BY MCR	DATE: 12/7/2021			
<small>UNLESS OTHERWISE SPECIFIED ALL DIMENSIONS FOLLOW THE ANSI SYSTEM IPS (INCHES-POUNDS & SECONDS) TOLERANCES ARE: FRAC. ±1/64, DEC. ±0.15, ANG ±.25°</small>								
<small>PROPRIETARY AND CONFIDENTIAL NOTICE ANY REPRODUCTION, PARTIAL OR AS A WHOLE OF THIS DOCUMENT WITHOUT THE WRITTEN PERMISSION OF HINDLE POWER, INC IS STRICTLY PROHIBITED.</small>					SCALE	DWG No	REV	SHEET
					B	1:10	1	1 OF 2
					JA0108-51			

8

7

6

5

4

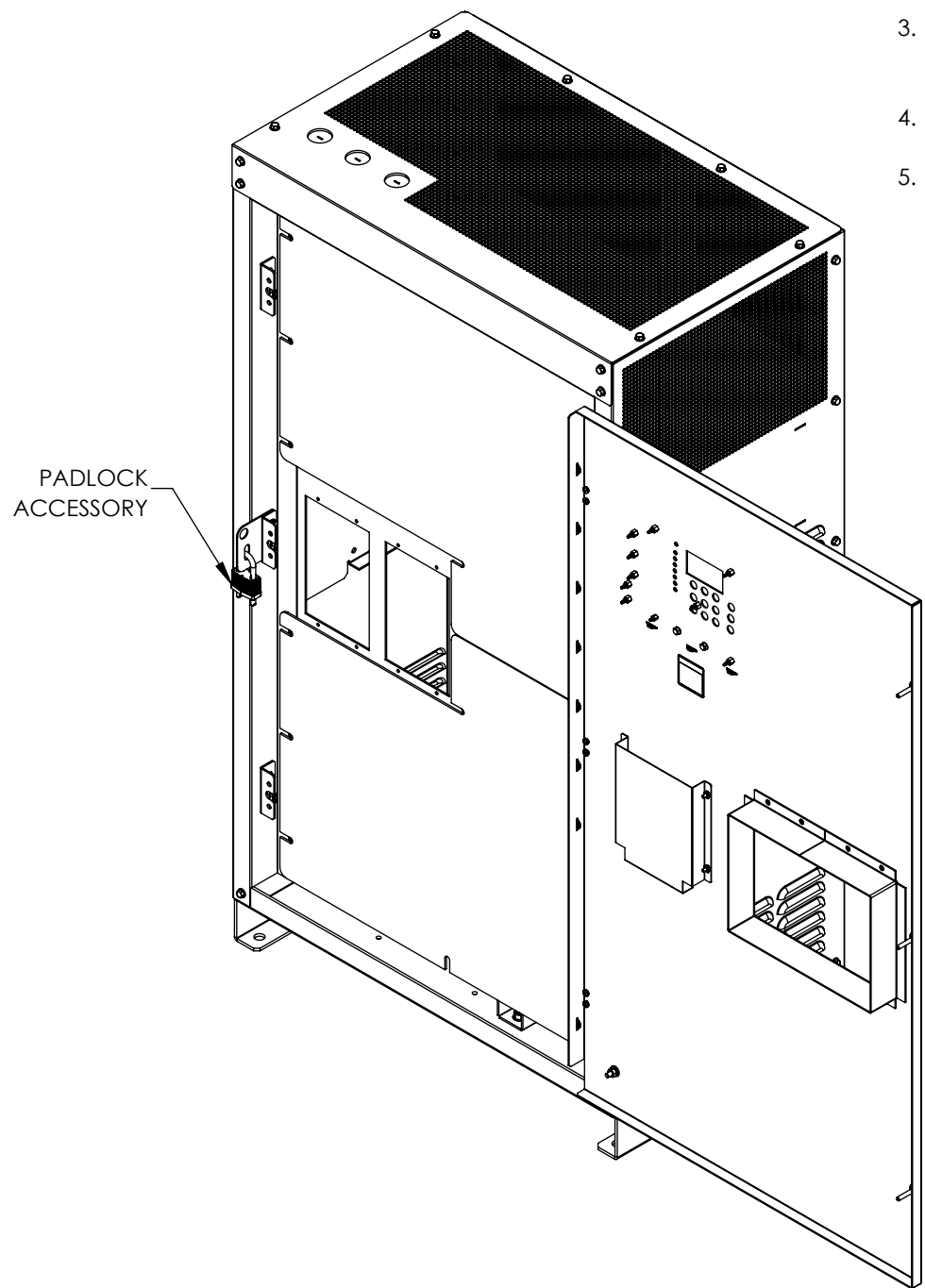
3

2

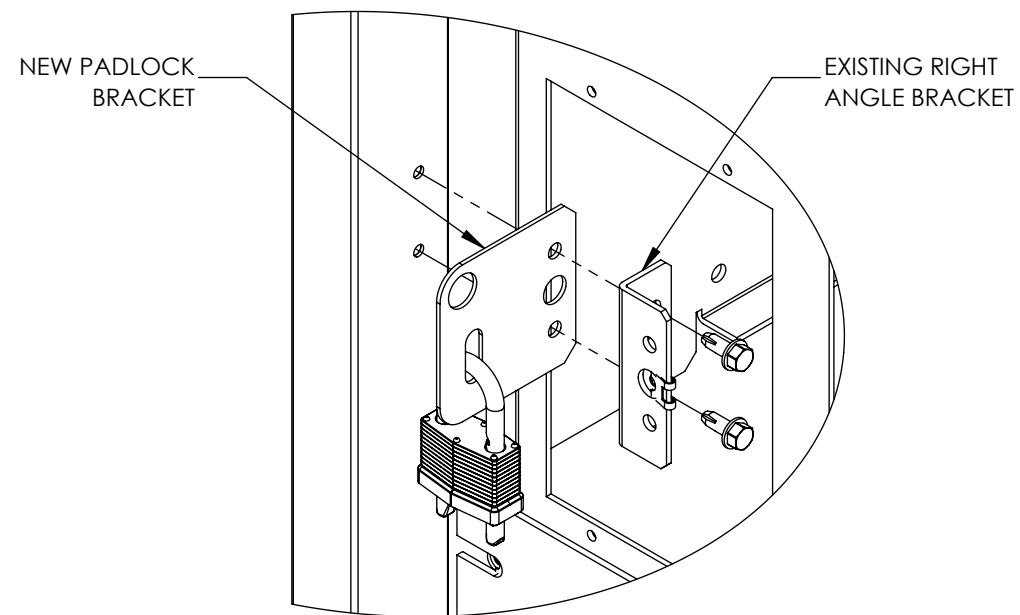
1

PROCEDURE FOR 5030 ENCLOSURE (EI0215-06):


1. DEENERGIZE AND LOCK OUT ALL AC AND DC VOLTAGE SOURCES TO THE ATevo. CHECK WITH A VOLTMETER BEFORE PROCEEDING.
2. REMOVE CENTER RIGHT ANGLE BRACKET.
3. MOUNT PADLOCK BRACKET BEHIND RIGHT ANGLE BACKET AS SHOWN. THEN REMOUNT BOTH BRACKETS IN PLACE.
4. CLOSE DOOR AND INSERT SHACKLE THOUGH BRACKET AS SHOWN.
5. LOCK AND STORE KEY.



ISO VIEW
5030 ENCLOSURE



DETAIL VIEW
5030 ENCLOSURE

REV.	DRN BY	CHK BY	APP BY	DATE	DRN BY	DATE:					
	KJB	MS	MCR	12/1/2022	KJB	12/7/2021					
DESCRIPTION					CHK BY	DATE:					
MODIFIED 5070 DETAILS					MCR	12/7/2021					
					APP BY	DATE:					
					MCR	12/7/2021	TITLE				
					UNLESS OTHERWISE SPECIFIED ALL DIMENSIONS FOLLOW THE ANSI SYSTEM IPS (INCHES-POUNDS & SECONDS) TOLERANCES ARE: FRAC. ±1/64, DEC. ±0.015, ANG ±.25°		USER INSTALLATION INSTRUCTIONS ATEVO SERIES BATTERY CHARGER PADLOCK ACCESSORY (p/n EI0215-##)				
PROPRIETARY AND CONFIDENTIAL NOTICE ANY REPRODUCTION, PARTIAL OR AS A WHOLE OF THIS DOCUMENT WITHOUT THE WRITTEN PERMISSION OF HINDLE POWER, INC IS STRICTLY PROHIBITED.							SCALE	DWG No	REV	SHEET	
							B	1:10	JA0108-51	1	2 OF 2

8

7

6

5

4

3

2

1