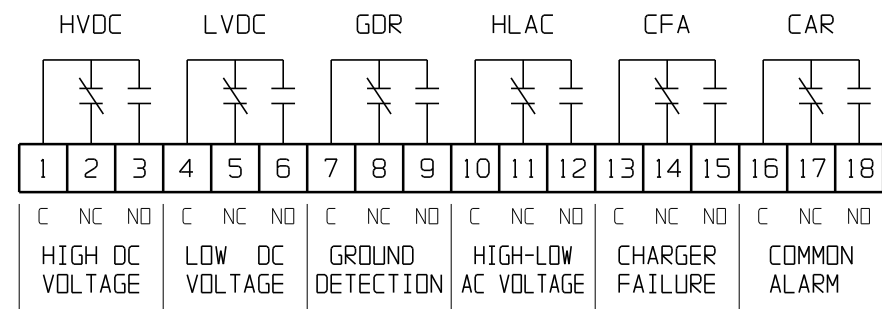
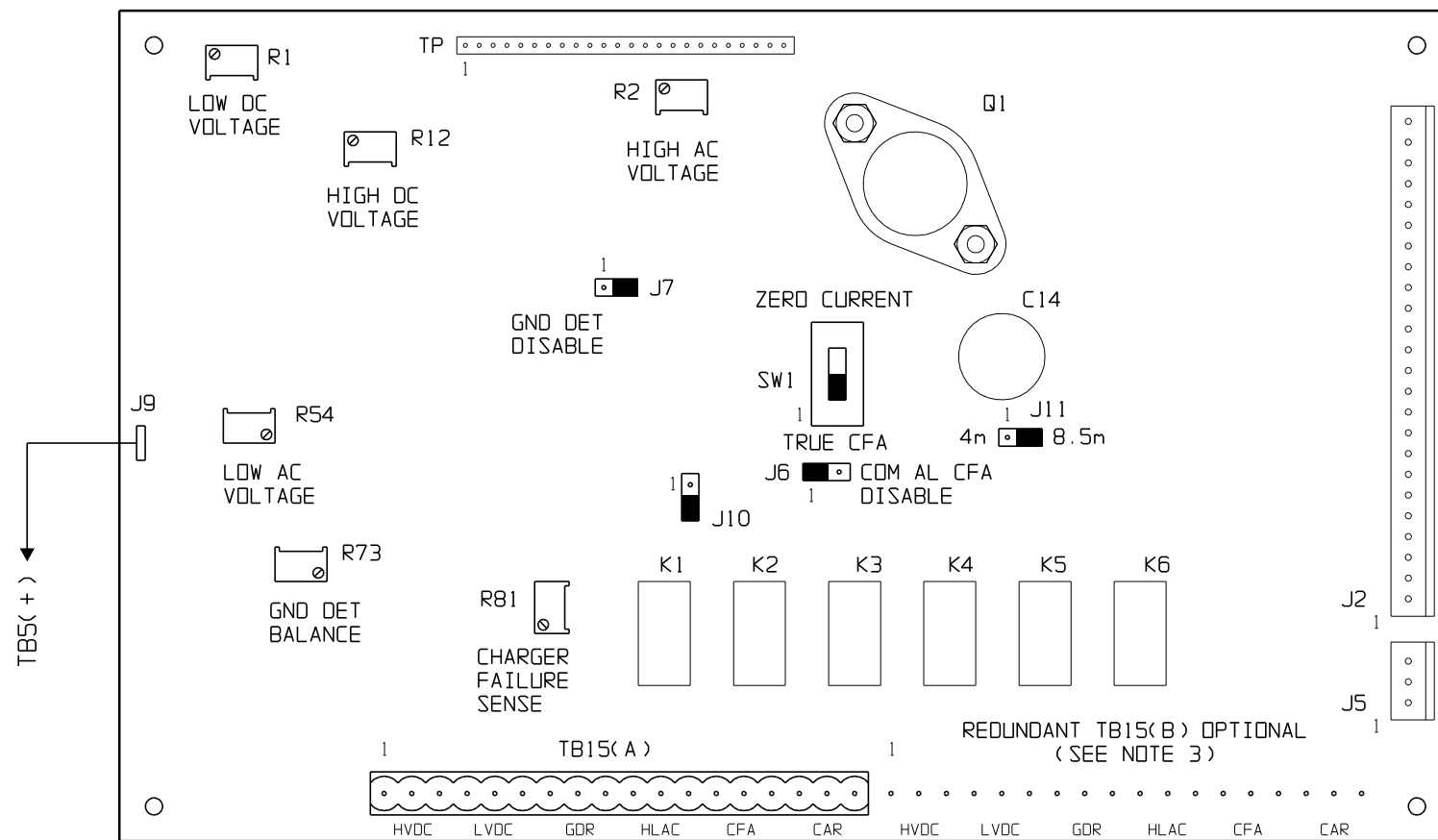


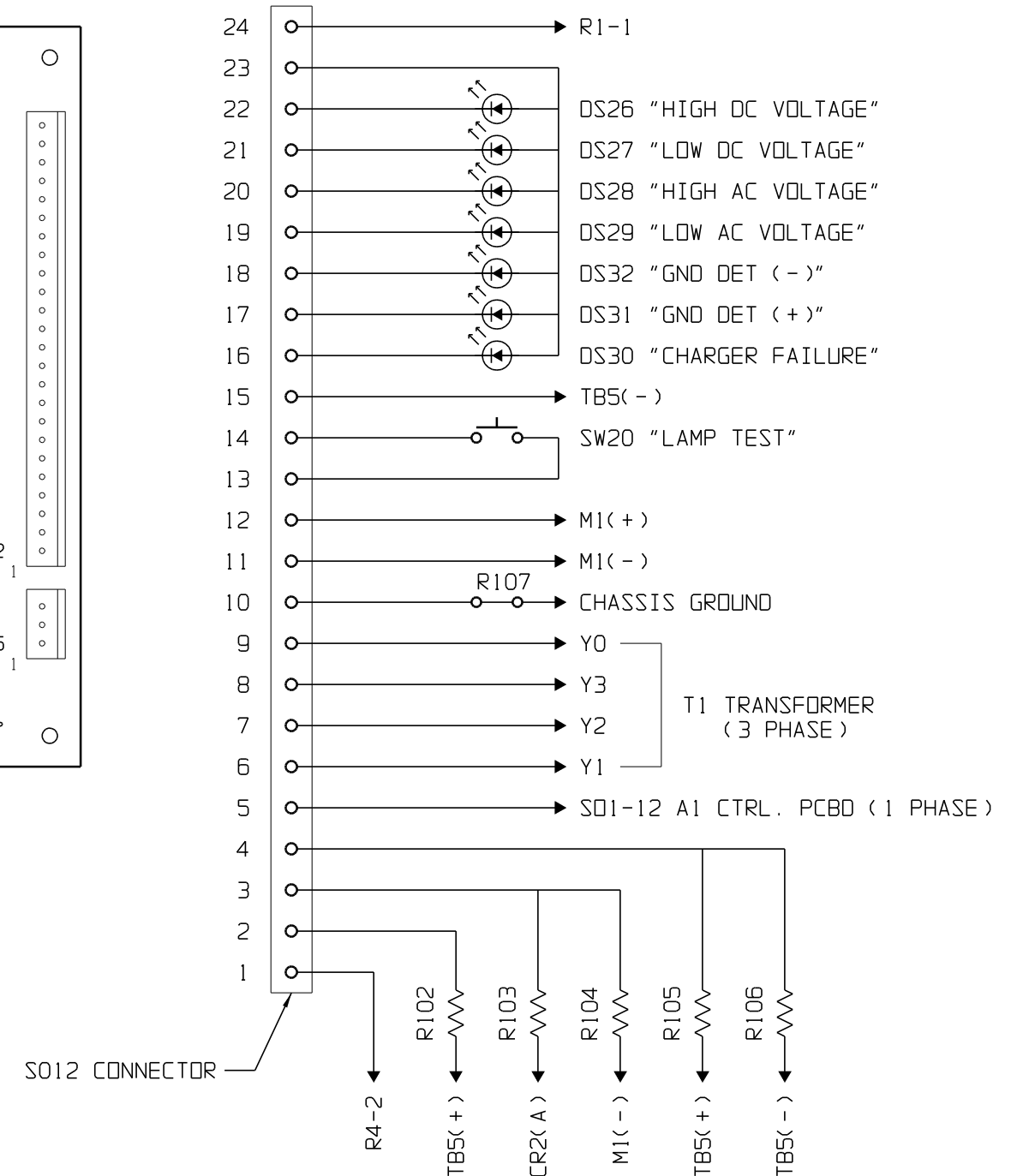
EN0014 PCBD. ASSEMBLY A24 COMBINED ALARM-STATUS CHARGER MONITOR



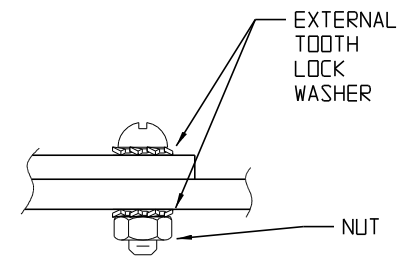
TB15(A) PLUG CUSTOMER ALARM CONTACTS (SEE NOTE 1)

NOTES:

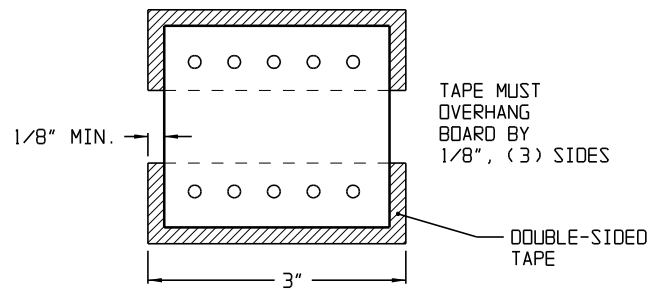
- 1) TB15 CONTACTS SHOWN IN NON-ALARM CONDITION. CONTACTS ARE RATED 0.5A, 125V AC/DC RESISTIVE.
- 2) S012 CONNECTOR ENGAGES WITH J2 ON BOARD.
- 3) REDUNDANT TB15 IS SUPPLIED WHEN TWO SETS OF FORM "C" CONTACTS ARE REQUESTED.
- 4) JUMPERS FOR J6 AND J7 SHOWN IN "ENABLE" POSITION. (SEE MANUAL SECTION 5-19 FOR DETAILS)
- 5) J10 IS FOR FACTORY USE ONLY.
- 6) J11 SHOWN IN "8.5 MINUTE" POSITION. (SEE MANUAL SECTION 5-19 FOR DETAILS)
- 7) SW1 SHOWN IN "TRUE CFA" POSITION.



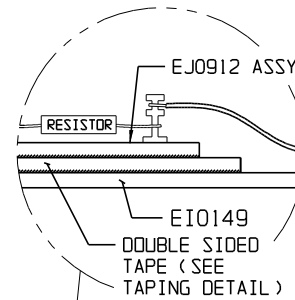
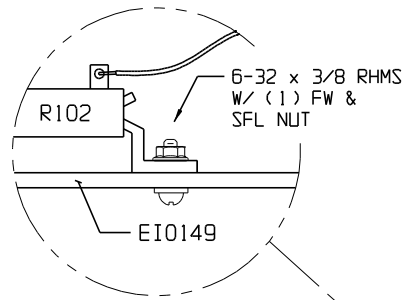
12	E0582	101001		THIRD ANGLE PROJECTION	DRAWN BY CIA 091990	APPROVED WKB 020296	TITLE COMBINED ALARM-STATUS MONITOR (CASM) SCR/SCRF SERIES BATTERY CHARGER: 12-260VDC		
11	14451	081597	MCT				DRAWING No	EJ0837-XX	REV 12B
10	13880	012797	MCT	UNLESS OTHERWISE NOTED DIMENSIONS ARE IN INCHES. TOLERANCES ARE:			SCALE	NTS	
9	13637	110496	WKB	PART No			EJ0837-XX	SHEET 1 OF 2	
8	12764	020296	WKB	REV			12B	B	
REV	ECN No	DATE	APP	SCALE			NTS	PART No	
				REV			12B	B	



GROUND LOADING DETAIL
(USE ON ONE SIDE)

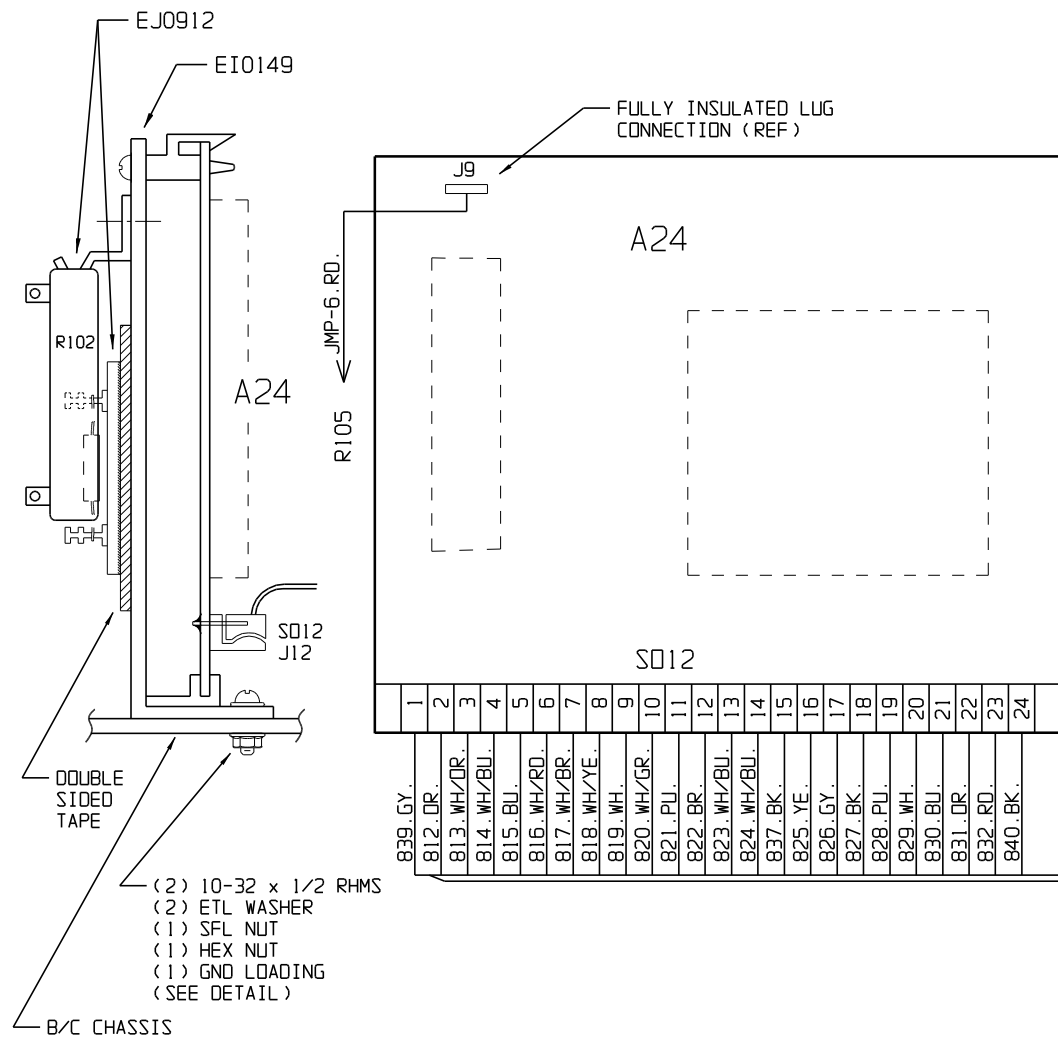


TAPING DETAIL

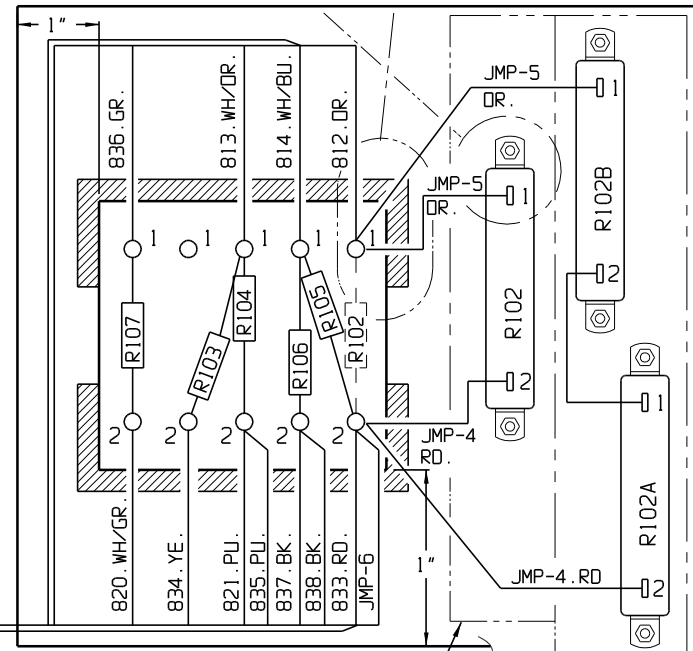


ALL JUMPERS INCORPORATE PIGGY-BACK LUGS TO ALLOW (2) LUGS PER TERMINAL TAB.

BACK VIEW OF INSTRUMENT PANEL



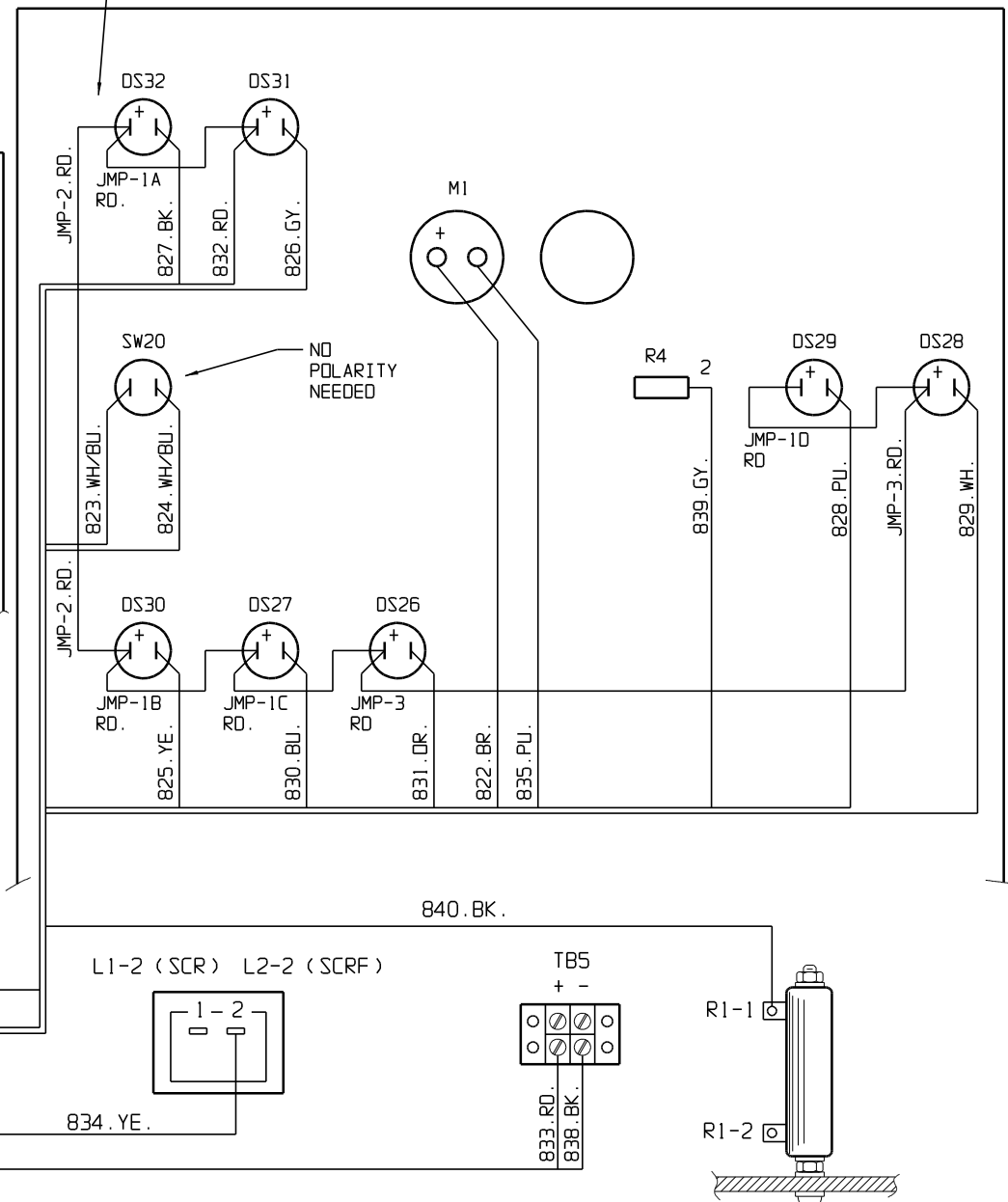
BACK VIEW OF A24 ASSY.



R102 MOUNTING FOR 130V B/C

R102 MOUNTING FOR 260V B/C

CHASSIS GROUND



JMP-1A RD.

JMP-2 RD.

JMP-1B RD.

JMP-1C RD.

JMP-3 RD.

JMP-10 RD.

JMP-3 RD.

JMP-3 RD.

JMP-3 RD.

JMP-3 RD.

JMP-3 RD.

JMP-3 RD.

JMP-3 RD.

JMP-3 RD.

JMP-3 RD.

JMP-3 RD.

JMP-3 RD.

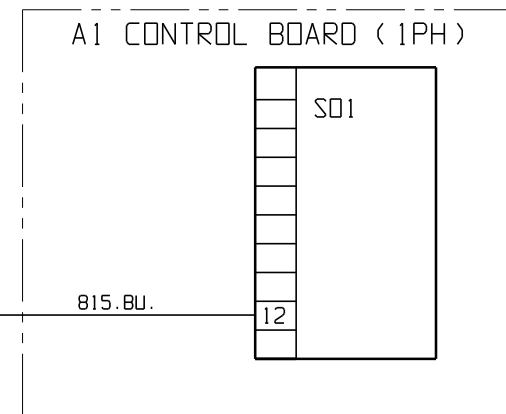
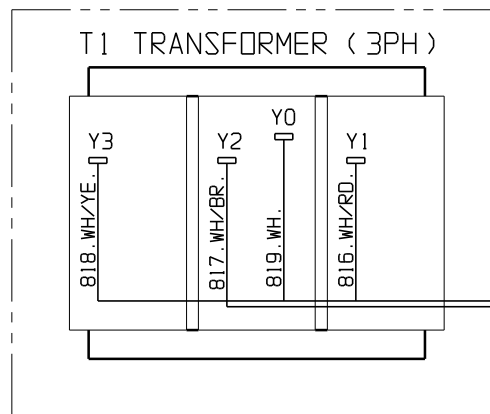
JMP-3 RD.

R1 DETAIL (REF)

INDICATES A WIRE BUNDLE OF (2) OR MORE WIRES. WIRE BREAKOUTS FROM MAIN HARNESS BUNDLE AS SHOWN ABOVE DO NOT REPRESENT ACTUAL PLACEMENT OF BREAKOUT IN BATTERY CHARGER.

RELATED DRAWINGS:

- EJ0649 - WIRE HARNESS
- EJ0149 - MOUNTING BRACKET
- EJ0912 - RESISTOR ASSEMBLY
- EN0014 - A24 (PCBD)



THIRD ANGLE PROJECTION		TITLE COMBINED ALARM-STATUS MONITOR (CASM) MECHANICAL AND ELECTRICAL CONFIG: 12-260VDC	
DRAWN BY CIA	091990	DRAWING No	EJ0837-XX
APPROVED WKB	020296	REV	12B
UNLESS OTHERWISE NOTED DIMENSIONS ARE IN INCHES. TOLERANCES ARE:		PART No	EJ0837-XX
SCALE	NTS	SHEET	2 OF 2