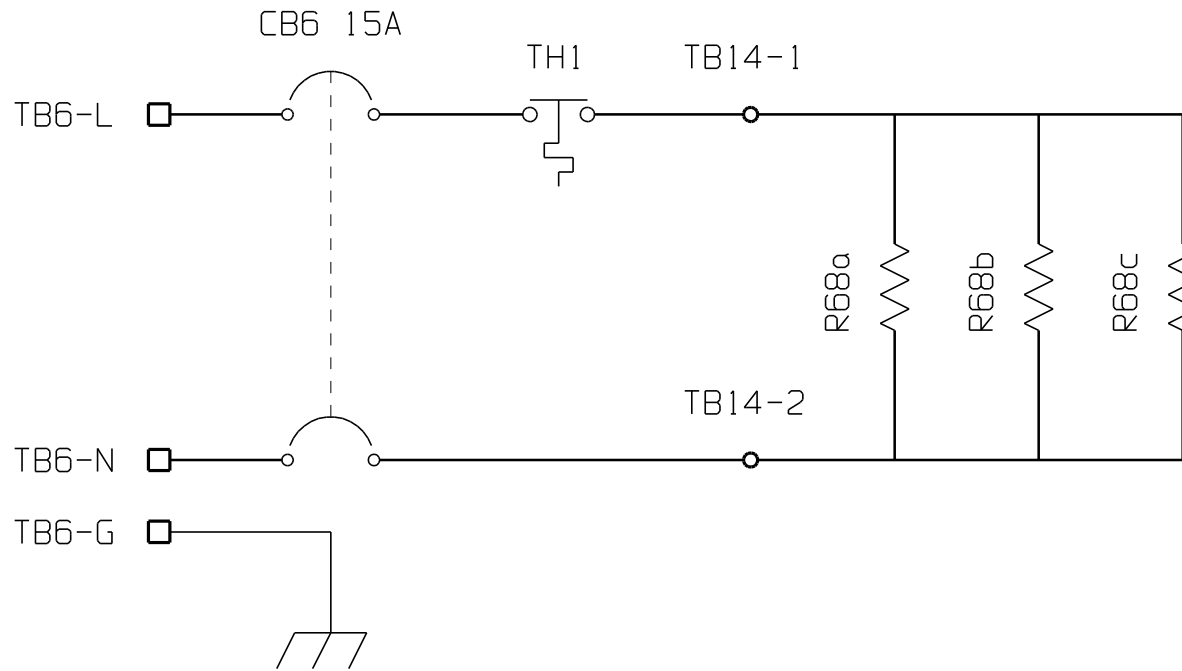


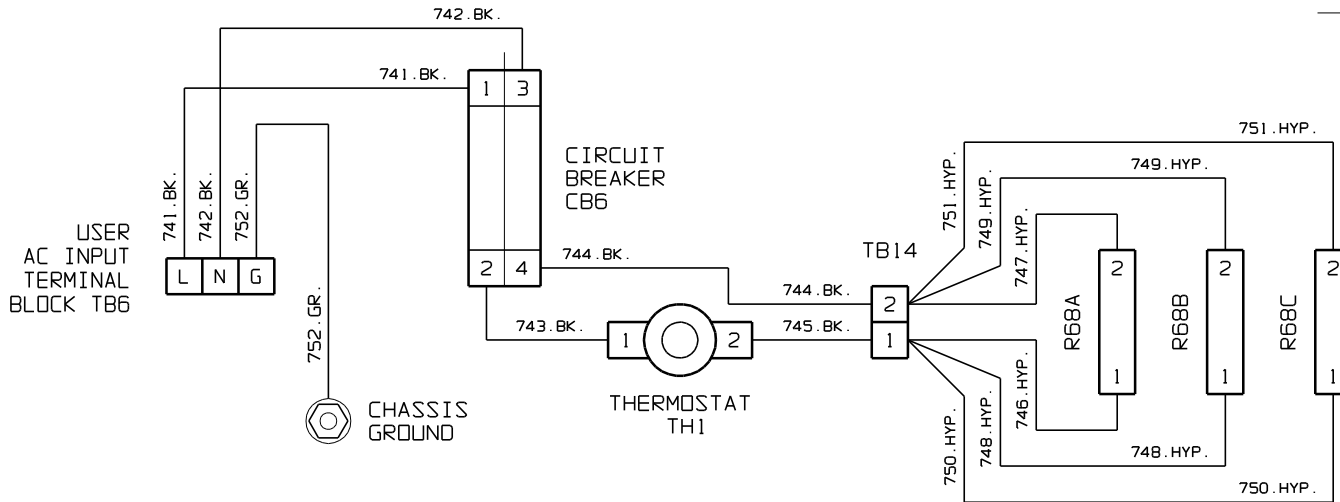
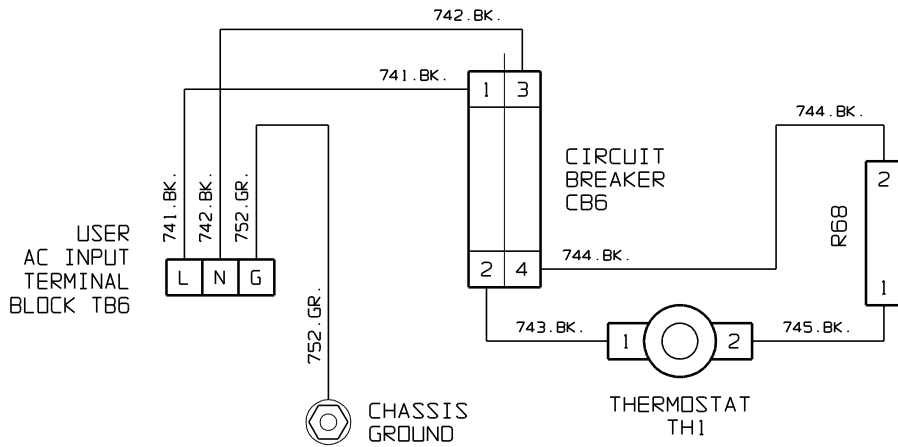
USER-SUPPLIED
1 Ø AC INPUT



NOTES:

- 1) TB14 IS NOT USED WHEN ONLY ONE (1) HEATER STRIP (R68) IS UTILIZED.
- 2) THERMOSTAT (TH1) MEASURES TEMPERATURE FROM SCR1 HEATSINK.

7	20547	020907		 THIRD ANGLE PROJECTION	TITLE SCR/SCRF SERIED OPTION SCHEMATIC: CABINET HEATER STRIP ASSEMBLY				
6	E0293	113000	MCT						
5	8924	062992	WAH	DRAWN BY <i>WAH</i>	061185	DRAWING No EJ0145-XX		REV 7	A
4	5685	012089	WAH	APPROVED <i>WKB</i>	061785				
3	4601	121787	WKB	UNLESS OTHERWISE NOTED DIMENSIONS ARE IN INCHES. TOLERANCES ARE:		SCALE NTS PART No EJ0145-XX SHEET 1 OF 2			
REV	ECN No	DATE	APP						



ONE (1)
HEATER

MULTIPLE
HEATERS

(SEE NOTE 1)

WIRE LIST

No.	CODE	FROM	TO
741	BK	TB6-L	CB6-1
742	BK	TB6-N	CB6-3
743	BK	CB6-2	TH1-1
744	BK	CB6-4	R68-2
745	BK	TH1-2	R68-1
744	BK	CB6-4	TB14-2
745	BK	TH1-2	TB14-1
746	HYP	R68A-1	TB14-1
747	HYP	R68A-2	TB14-2
748	HYP	R68B-1	TB14-1
749	HYP	R68B-2	TB14-2
750	HYP	R68C-1	TB14-1
751	HYP	R68C-2	TB14-2
752	GR	TB6-G	CHS.GND

(NOTE 5)

NOTES:

- 1) TB14 AND WIRES 746-751 USED ONLY WHEN TWO (2) OR MORE HEATER STRIPS (R68x) ARE UTILIZED.
- 2) MOUNT THERMOSTAT (TH1) ON SCR1 HEATSINK.
- 3) MARK TERMINAL BLOCK (TB6) "### VAC INPUT", DEPENDING ON USER REQUIREMENT AND ASSEMBLY PART NO.
- 4) MOUNT CABINET HEATER CAGE(S) (EBO242-00) IN LOWER-RIGHT CORNER OF BATTERY CHARGER ENCLOSURE IF ALLOWABLE. CONSULT ENGINEERING FOR ALTERNATE LOCATIONS.
- 5) ALL WIRE IS #16 AWG UNLESS OTHERWISE SPECIFIED. NOTE REQUIRED USED OF HYPALON ON WIRES 746-751.

		THIRD ANGLE PROJECTION	
DRAWN BY <i>QA</i>	061185	TITLE SCR/SCRF SERIED OPTION CONN DIAGRAM: CABINET HEATER STRIP ASSEMBLY	
APPROVED <i>WKB</i>	061785	DRAWING No EJ0145-XX	REV 7 A
UNLESS OTHERWISE NOTED DIMENSIONS ARE IN INCHES. TOLERANCES ARE:		SCALE NTS	PART No EJ0145-XX SHEET 2 OF 2