

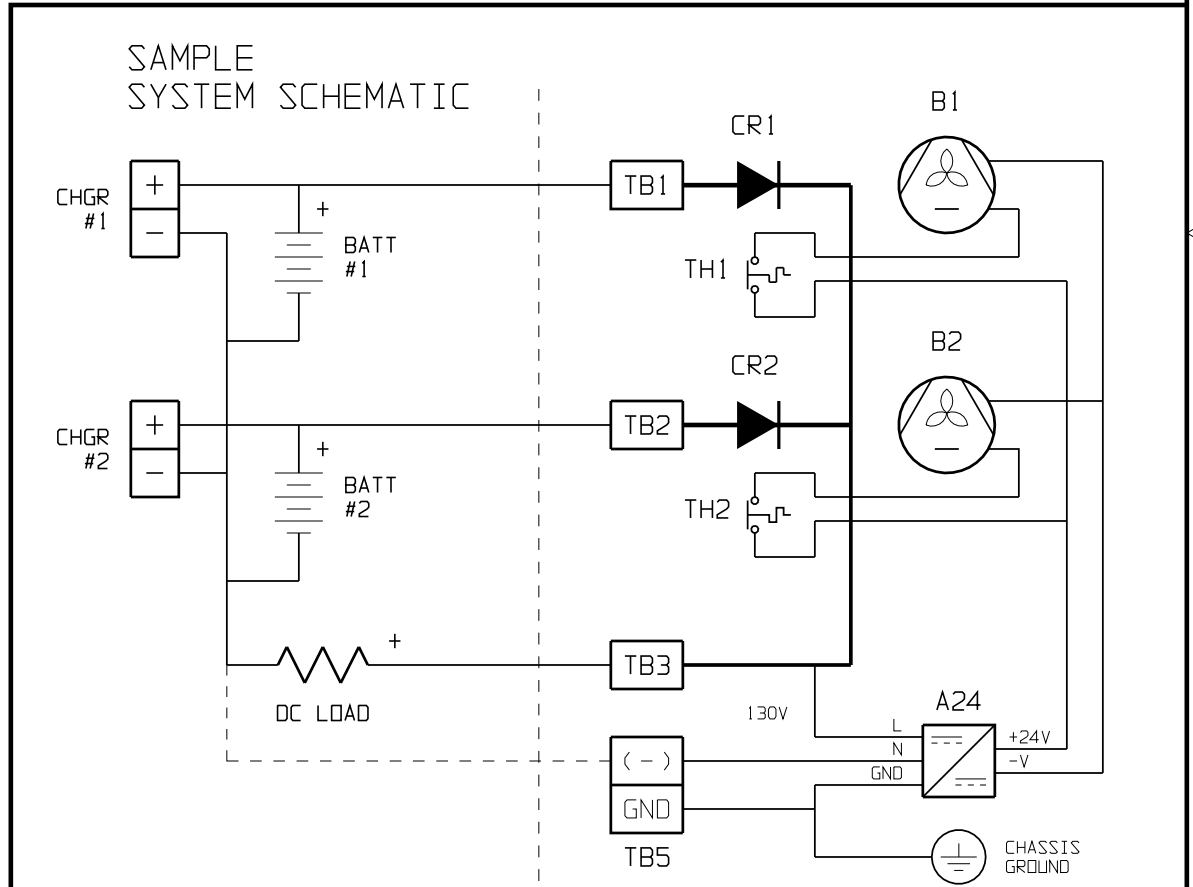
WIRE LIST:

No.	FROM	TO	GA	COLOR
101	CR1/2-K(+)	A24-L1	14	BLACK
102	A24(+)	TH1-1	14	BLACK
103	TH1-1	TH2-1	14	BLACK
104	TH1-2	B1-1	14	BLACK
105	TH2-2	B2-1	14	BLACK
106	B1-2	B2-2	14	BLACK
107	B2-2	A24(-)	14	BLACK
108	A24-N	TB5(-)	14	BLACK
200	TB5-GND	CHASSIS GROUND	12	GRN/YEL

SYM	"BBS" COMPONENT DESCRIPTION
CR1	STEERING DIODE, CHGR/BATT "1"
CR2	STEERING DIODE, CHGR/BATT "2"
TB1	INPUT TERM CHGR/BATT "1" POS(+)
TB2	INPUT TERM CHGR/BATT "2" POS(+)
TB3	OUTPUT TERM COMMON POS(+)

SYM	OPTION COMPONENT DESCRIPTION
A24	130Vdc-TO-24Vdc FAN (B1/B2) P/S
B1	HEATSINK (CR1) 6.0" COOLING FAN
B2	HEATSINK (CR2) 6.0" COOLING FAN
TH1	H/S (CR1) 220 °F THERMAL SWITCH
TH2	H/S (CR2) 220 °F THERMAL SWITCH
TB5	FAN (B1/B2) 24VDC POWER TERM BLK

- NOTES:
- * STEERING DIODES LINK TWO (2) BATTERY CHARGER DC OUTPUT BUSES TO COMMON LOAD WITHOUT LINKING BATTERY BANKS TOGETHER, SEE OPERATING INSTRUCTIONS (JA5065-00)
 - * STEERING DIODES AND I/O TERMINALS (TB#) FEATURE HARD-BOLT CONNECTIONS, NO FLEXIBLE WIRING IS USED



I/O TERMINAL	DESCRIPTION - TYPE	CONNECTION
TB1	CHGR/BATT #1 INPUT TERMINAL - CU-AL COMPRESSION LUG	TWO (2) 300-800 MCM
TB2	CHGR/BATT #2 INPUT TERMINAL - CU-AL COMPRESSION LUG	TWO (2) 300-800 MCM
TB3	COMMON LOAD OUTPUT TERMINAL - CU-AL COMPRESSION LUG	TWO (2) 300-800 MCM
TB5(-)	130Vdc FAN (B1/B2) POWER TERM BLOCK - 6-32 COMP SCREW	#16-14 AWG
CHS GND	CHASSIS GROUND - 10-32 ZPS STUD TERMINAL	#10 RING LUG

		THIRD ANGLE PROJECTION		TITLE BEST BATTERY SELECTOR INTERNAL COMPONENT LAYOUT: NEMA-1 STYLE-5018 ENCL (1200 Adc)	
DRAWN BY MCR		031720		DRAWING No JE5139-05	
ELECTRONIC APPROVAL SIGNATURES MAINTAINED BY MFG ECN LOG		UNLESS OTHERWISE NOTED DIMENSIONS ARE IN INCHES. TOLERANCES ARE:		REV A B	
A	N/A	031720	SCALE NTS		PART No JE5139-05
REV	ECN No	DATE	SHEET 1 OF 1		