



ISO 9001:2015 Certified

HINDLEPOWER COMPANION PRODUCT
HindleHealth+



JF5081-00

HindleHealth+

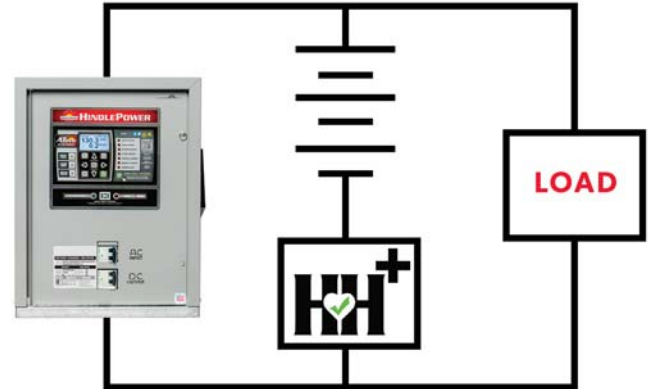
Exclusively available with ATevo



Reliably Provides:

- **Continuous Open Battery Monitoring**
- **Ah Capacity Remaining**
- **Battery Discharge Alarm**

HindlePower's pursuit of DC System Reliability has led to the development of the HindleHealth+. An electronically enhanced shunt, capable of continuously detecting open battery and calculating the anticipated amp-hour remaining in your battery offering the industry's highest level of resolution and accuracy.

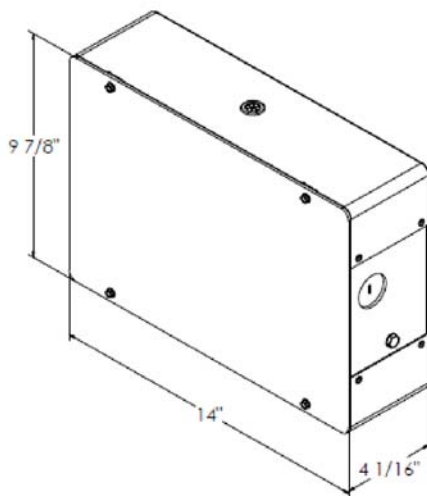


Battery Capacity
Initial capacity: 250.0 A/h
Remaining: 232.4 A/h
Percent remaining: 93%
Weeks commissioned: 62

(Sample Screen)

- **Utility compliance with NERC PRC-005 & TPL-001**
- **Useful with both Lead Acid and NiCad Batteries**
- **Clear protective shield for easy inspection of battery connections**
- **Easily mounts to battery rack or wall**
- **Temperature Compensation included**

SPECIFICATION



Ordering Information	
Part Number	EJ5178-00
Contact factory for ordering details	

BATTERY CURRENT

Shunt Rating (Continuous):	500A/50mV
Resolution:	
0-1AMP	0.1mA
> 1AMP, or (-) Amps	100mA
Accuracy:	
0-1AMP	+/- 1mA
> 1AMP, or (-) Amps	+/- 0.1% of FS

FLOAT CURRENT

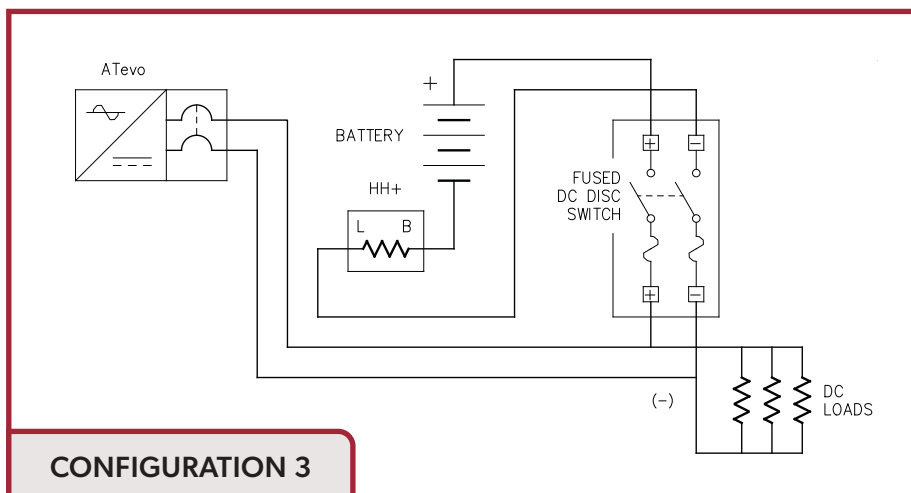
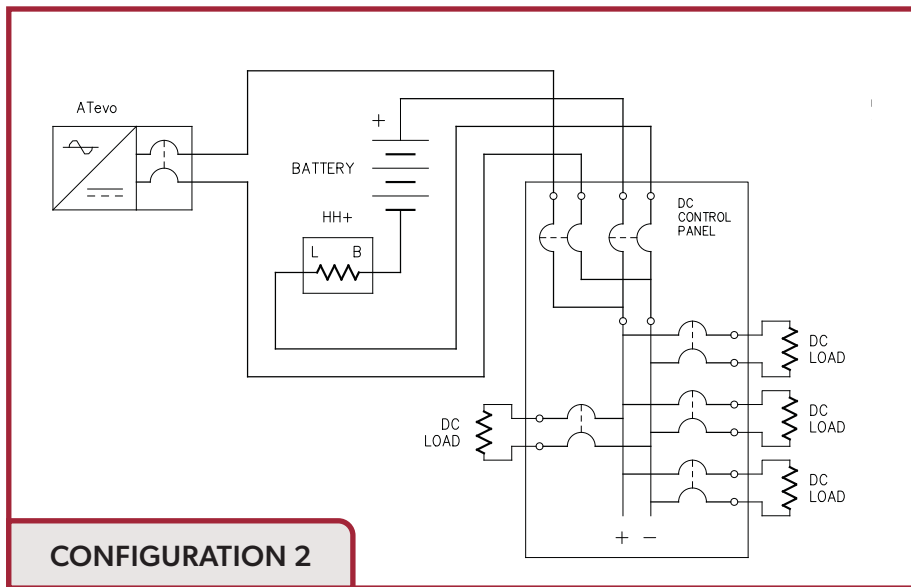
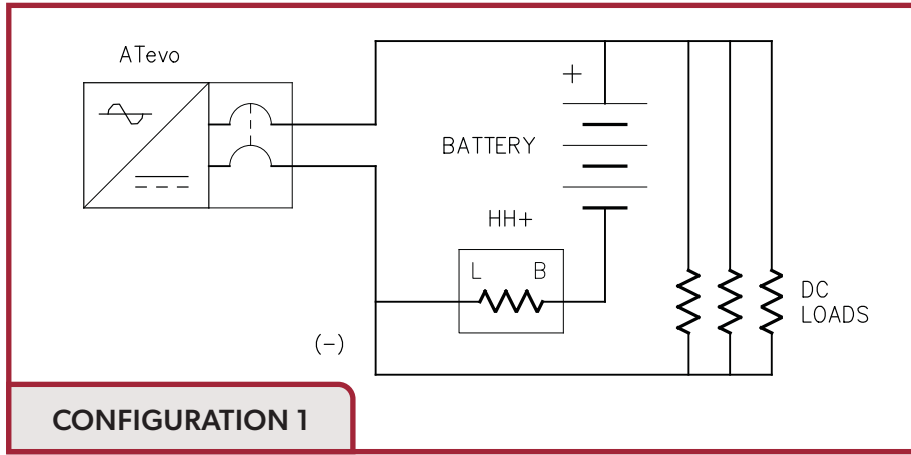
Range:	0-1A
Resolution:	0.1mA
Accuracy:	+/- 1mA

BATTERY VOLTAGE

Input Resistance:	3.2MΩ
Range:	0-300V
Resolution:	100mV
Accuracy:	+/- 0.25% of FS

Specifications subject to change

System Configuration Examples:





HindlePower, Inc.

1075 Saint John Street

Easton, PA 18042

www.hindlepowerinc.com

610.330.9000